



WWW.BAUMPNEUMATICS.CA

# Specifications

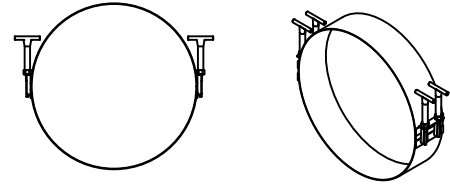
A-9732

Rev. 1

CleanOut/ Blower Coupler  
Tee Handle and Clamp

10/25

inch	mm	Combination	Min./mm	Max./mm
4	101.60		100	110
6.625	168.28		168	189
8.625	219.08		216	238
10.75	273.05	6 + 4	268	299
12.75	323.85	8 + 4	316	348
14	355.60	6 + 6	336	378
16	406.40	4 + 4 + 4 + 4	400	440
18	457.20	8 + 8	432	476
20	508.00	6 + 6 + 6	504	567
22	558.80	6 + 6 + 4 + 4	536	598
24	609.60	8 + 8 + 6	600	665
26	660.40	8 + 8 + 8	648	714



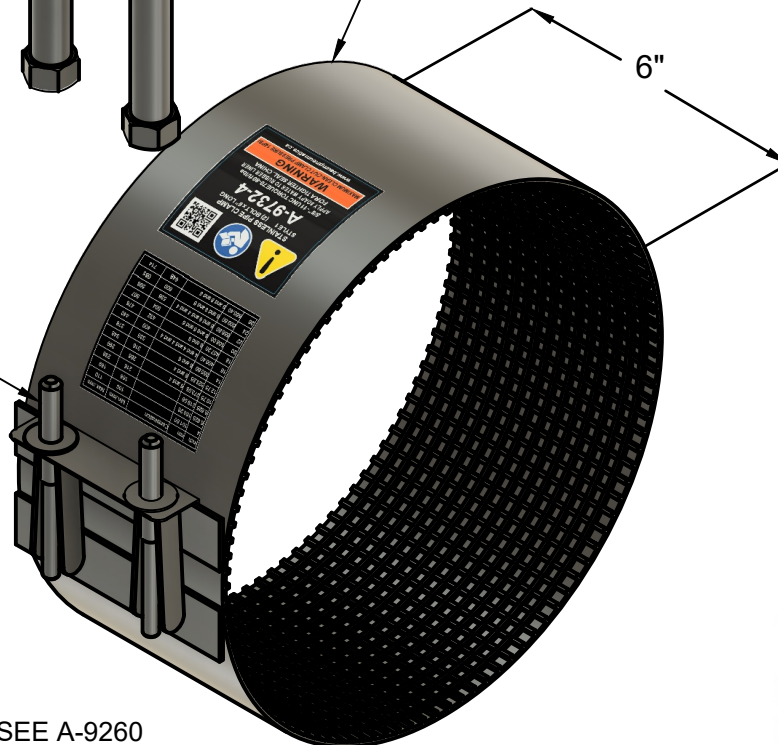
COMBINATIONS SETUP

S/ST TEE HANDLES

T304  
S/ST FULLY PASSIVATED

COATED  
W/ NEVER SIEZE

6"



- DESIGNED FOR 14 PSI
- FOR CLEANOUT DIMENSIONS SEE A-9260
- FOR STRESS ANALYSIS ON CLEANOUT UNDER DIFFERENT LOADING CONDITIONS SEE A-9270

