



WWW.BAUMPNEUMATICS.CA

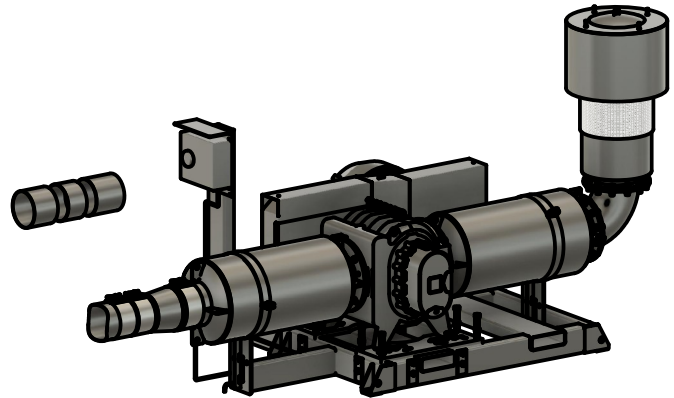
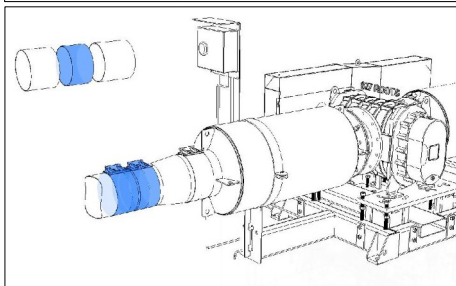
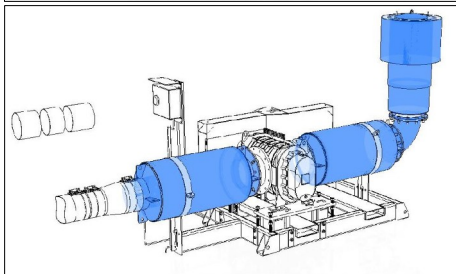
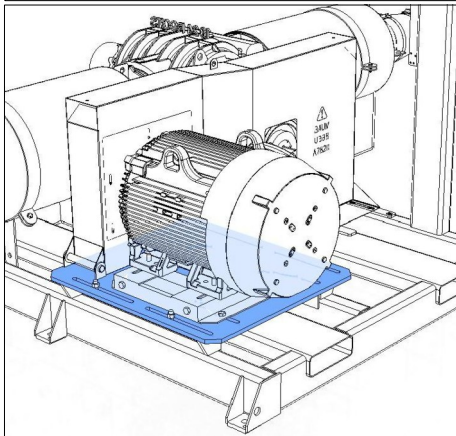
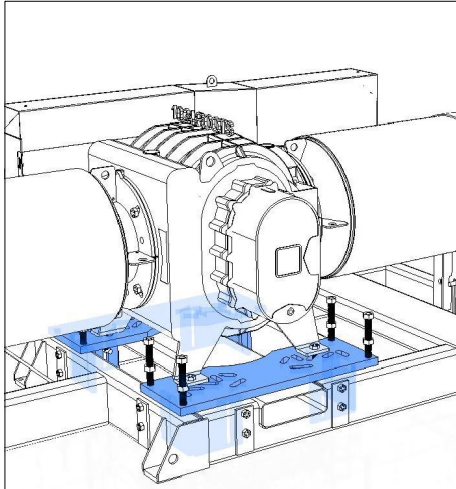
Specifications

A-7810

UBB
REPLACING BLOWER SIZES

Rev. 00

08/23



- REFER TO YOUR SYSTEM [GENERAL ASSEMBLY DRAWING](#) FOR **A** AND **B** DIMENSIONS
- RAISE OR LOWER BLOWER SOLE PLATES ACCORDING TO **A** DIMENSION

- MOVE MOTOR/ GUARD ASSY IN OR OUT ACCORDING TO **B** DIMENSION

NOTE: BLOWER SPROCKET SHOULD BE AS CLOSE AS POSSIBLE TO BLOWER BEARING

- MAINTAIN SILENCERS HEIGHT AND MOVE THEM TOWARDS BLOWER FLANGES
- USE FLOATING FLANGES AND GASKETS TO CLOSE THE GAP BETWEEN SILENCER AND BLOWER FLANGES

NOTE: MATCH FLOATING FLANGE HOLES WITH SILENCER HOLES BY ROTATING OR FLIPPING

- USE SUPPLIED EXTRA PIPE LENGTHS ACCORDING TO THE ASSEMBLY DRAWING AND S/ST PIPE CLAMPS TO CONNECT SILENCER OUT TO YOUR PIPE