



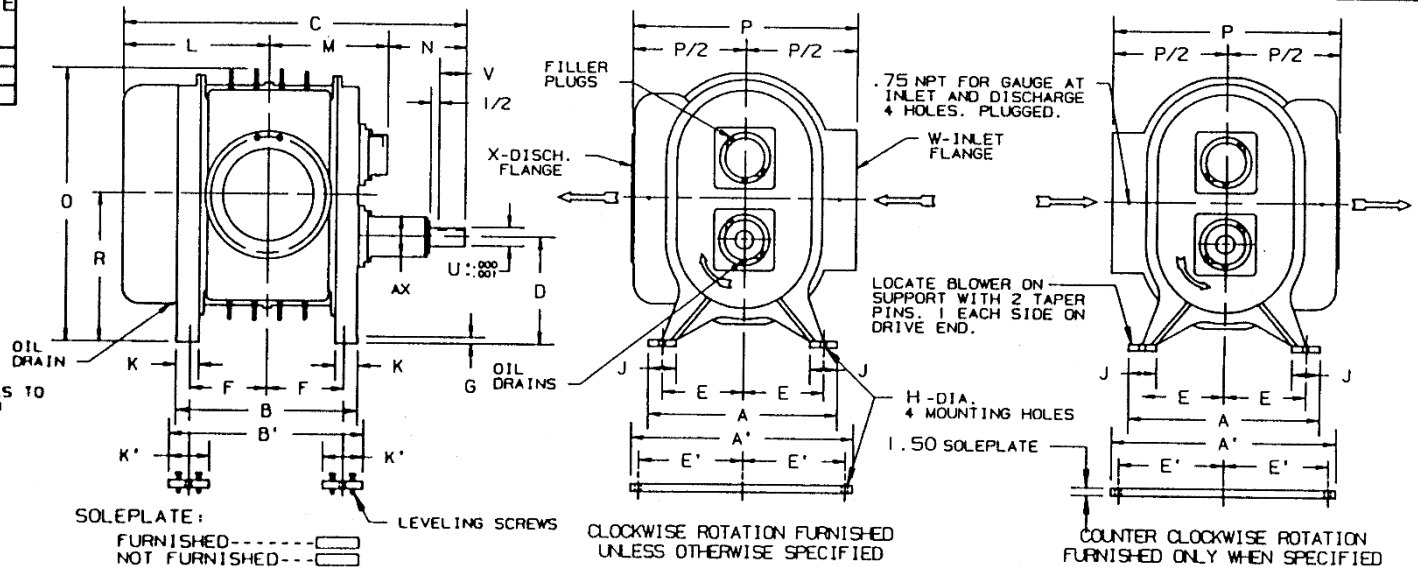
FRAME	OIL CAPACITY			SOLEPLATE WEIGHT
	GEARBOX	END COVER	188 COVER	
1000	3 QTS	4 FL. OZ.	12 FL. OZ.	200
1200	1.50 GAL	5 FL. OZ.	16 FL. OZ.	200
1400	1.75 GAL	8 FL. OZ.	28 FL. OZ.	300

FLANGE DIMENSIONS						
	AA	AB	AC	AD	AE	AG
8 FLG	8.00	11.75	13.50	8	.75-10	1.38
10 FLG	10.00	14.25	16.00	12	.88-9	1.31
12 FLG	12.00	17.00	19.00	"	"	"
14 FLG	14.00	18.75	21.00	"	1.00-8	1.50
16 FLG	16.00	21.25	23.50	16	"	"
18 FLG	18.00	22.75	25.00	"	1.13-7	1.69
20 FLG	20.00	25.00	27.50	20	"	"
24 FLG	24.00	29.50	32.00	"	1.25-7	1.88

- AA - FLANGE OPENING
- AB - FLANGE BOLT CIRCLE
- AC - FLANGE O.D.
- AD - No. TAPPED HOLES
- AE - SIZE OF TAPPED HOLES
- AG - DEPTH OF TAP

INLET & DISCHARGE FLANGES TO MATE FLUSH & SQUARE WITH FLAT FACE FLANGE ONLY.
 USE FULL FACE GASKETS.
 MOTOR TO BE LOCATED ON INLET SIDE OF BLOWER.

RAS WHISPAIR V-BELT DRIVE - VERTICAL



FRAME	A	A'	B	B'	C	D	E	E'	F	G	H	J	K	K'	L	M	N	O	P	R	U	V	KEYWAY	WG FLG	X FLG	AX	APPROX NET. WT		
1009 JV	27.00	36.00	15.75	19.00	42.38	14.500	11.50	16.50	6.50	.88	1.13	4.75	3.38	6.00	16.38	12.50	13.50	34.75	28.50	19.50	2.250	6.50	.500 x .250	10	8	7.00	2050		
1012 JV	"	"	18.75	22.00	45.38	"	"	"	8.00	"	"	"	"	"	17.88	14.00	"	"	"	"	"	"	"	"	"	"	2200		
1016 JV	"	"	23.25	26.50	49.88	"	"	"	10.25	"	"	"	"	"	20.13	16.25	"	34.88	"	"	"	"	"	"	12	10	"	2400	
1018 JV	"	"	25.50	28.75	52.13	"	"	"	11.38	"	"	"	"	"	21.25	17.38	"	"	"	"	"	"	"	"	"	"	2450		
1021 JV	"	"	27.75	31.00	54.38	"	"	"	12.50	"	"	"	"	"	22.38	18.50	"	"	"	"	"	"	"	"	"	14	12	"	2550
1024 JV	"	"	30.75	34.00	57.38	"	"	"	14.00	"	"	"	"	"	23.88	20.00	"	"	"	"	"	"	"	"	"	"	"	3000	
1030 JV	"	"	36.75	40.00	63.38	"	"	"	17.00	"	"	"	"	"	26.88	23.00	"	"	"	"	"	"	"	"	"	16	14	"	3500
1212 JV	30.50	36.00	19.50	22.25	44.38	16.625	13.00	16.50	8.13	1.00	1.13	5.00	3.75	6.00	20.06	14.50	9.81	40.50	33.00	22.63	2.625	4.19	.625 x .313	12	10	8.00	3100		
1216 JV	"	"	23.50	26.25	48.38	"	"	"	10.13	"	"	"	"	"	22.06	16.50	"	"	"	"	"	"	"	"	14	12	"	3400	
1220 JV	"	"	27.50	30.25	52.38	"	"	"	12.13	"	"	"	"	"	24.06	18.50	"	"	"	"	"	"	"	"	16	14	"	3650	
1222 JV	"	"	30.00	32.75	54.88	"	"	"	13.38	"	"	"	"	"	25.31	19.75	"	"	"	"	"	"	"	"	"	"	"	3800	
1228 JV	"	"	32.50	35.25	57.38	"	"	"	14.63	"	"	"	"	"	26.56	21.00	"	"	"	"	"	"	"	"	"	"	"	4000	
1230 JV	"	"	36.00	38.75	60.88	"	"	"	16.38	"	"	"	"	"	28.31	22.75	"	"	"	"	"	"	"	"	"	"	"	4150	
1236 JV	"	"	43.50	46.25	68.38	"	"	"	20.13	"	"	"	"	"	32.06	26.50	"	"	"	"	"	"	"	"	18	16	"	4650	
1414 JV	34.00	44.00	22.75	27.50	50.94	18.750	14.50	20.50	9.75	1.13	1.25	5.25	4.13	8.00	22.31	16.56	12.06	47.25	38.50	25.75	3.000	4.00	.750 x .375	14	12	9.00	4600		
1418 JV	"	"	26.75	31.50	54.94	"	"	"	11.75	"	"	"	"	"	24.31	18.56	"	"	"	"	"	"	"	"	"	"	"	4900	
1422 JV	"	"	30.75	35.50	58.94	"	"	"	13.75	"	"	"	"	"	26.31	20.56	"	"	"	"	"	"	"	"	"	"	"	5200	
1425 JV	"	"	33.25	38.00	61.44	"	"	"	15.00	"	"	"	"	"	27.56	21.81	"	"	"	"	"	"	"	"	16	14	"	5300	
1428 JV	"	"	36.25	41.00	64.44	"	"	"	16.50	"	"	"	"	"	29.06	23.31	"	"	"	"	"	"	"	"	18	16	"	5650	
1431 JV	"	"	39.75	44.00	67.94	"	"	"	18.25	"	"	"	"	"	30.81	25.06	"	"	"	"	"	"	"	"	"	"	"	5800	
1435 JV	"	"	43.25	48.00	71.44	"	"	"	20.00	"	"	"	"	"	32.56	26.81	"	"	"	"	"	"	"	"	"	"	"	6200	
1442 JV	"	"	50.25	55.00	78.44	"	"	"	23.50	"	"	"	"	"	36.06	30.31	"	"	"	"	"	"	"	"	20	18	"	6750	
																									24	20	"		

CERTIFIED CORRECT FOR CUSTOMER ORDER No. _____

ROOTS ORDER No. _____

DATE _____

V-BELT DRIVE DATA

BELTS _____

DRIVE SHEAVE _____

DRIVEN SHEAVE _____

CENTER DISTANCE _____



DRESSER INDUSTRIES, INC.
 ROOTS DIVISION
 900 WEST MOUNT STREET
 CONNERSVILLE, INDIANA 47331

REM 11/21/88

868-819-011