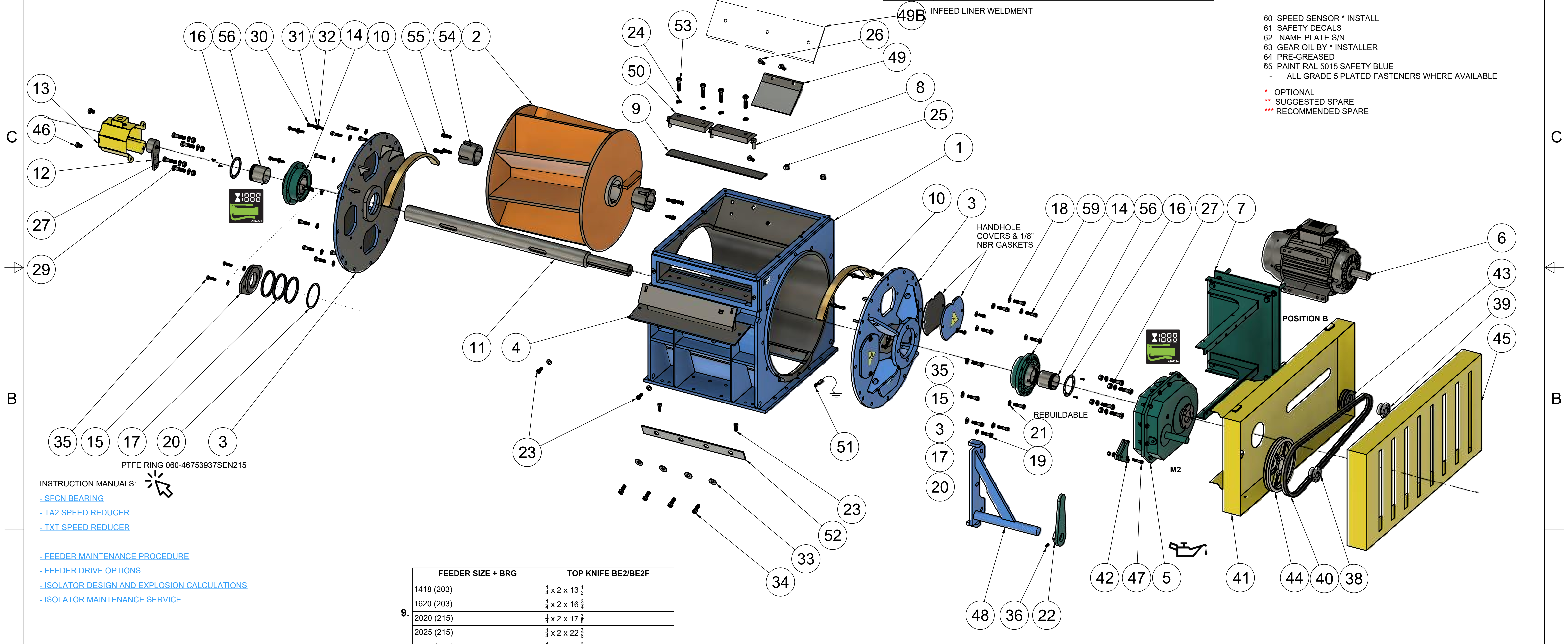


PARTS LIST		PARTS LIST		PARTS LIST		PARTS LIST	
ITEM	PART NAME	ITEM	PART NAME	ITEM	PART NAME	ITEM	PART NAME
50	KNIFE CLAMP	33	3/4 USS FLAT WASHER GR.8	*** 17	PACKING 3/8 X 3/8 (GFO) TYPE	1	HOUSING WELDMENT - HARDCHROMED OR S/S/T BORE
51	GROUNDING STRAP	34	3/4 BOTTOM KNIFE HHCS	18	5/8 FLAT WASHER SAE	2	ROTOR WELDMENT - 410 S/S/T HARD FACING
** 52	BOTTOM KNIFE	35	1/2 PACKING GLAND HHCS (X 2 ENDS)	19	TORQUE ARM HHCS	3	ENDBELL WELDMENT - PILOT FIT TO HOUSING
53	3/4 CLAMP HHCS	36	3/8 SET SCREW	20	TEFLON™ PAKING RING	4	TOP KNIFE DOOR WELDMENT W/ SEAL
54	ROTOR TAPERLOCK BUSHING (X 2 ENDS)	38	DRIVEN BUSHING	21	TORQUE ARM WASHER USS	** 5	GEAR REDUCER (TAPER MNT) TA(M2)/TXT
55	BUSHING 5/8" SHCS	39	DRIVER BUSHING	22	TORQUE ARM LINK WELDMENT	6	MOTOR, TEFC, 1800, 460/575 V
56	TAPER ADAPTER W/ NUT	*** 40	V BELT (WRAPPED)	23	5/8 TOP KNIFE/ DOOR HHCS & SAE FW	7	MOTOR BRACKET POS.B
59	ENDBELL HHCS (X 2 ENDS)	41	GUARD	24	3/4 LOCK WASHER	** 8	KNIFE-ADJUSTER S/S/T A7040-8
		42	TORQUE ARM MOUNT	25	INFEED LINER CARRIAGE BOLT	*** 9	TOP KNIFE (SEE NOTE)
		43	DRIVE PULLEY - MINIMUM 2 GROOVE	26	5/8 DUSTING BAFFLE FHCS	10	BRASS 3/4" (3600) SEALING RING
		44	DRIVEN PULLEY - MINIMUM 2 GROOVE	27	BEARING MOUNTING HHCS	11	SHAFT - C1045, KEYS
		45	GUARD DOOR - (TA2 ONLY)	28	BEARING NUT	* 12	WHIRLIGIG 4B (W/O SENSOR)
		46	SHAFT GUARD BOLT	29	3/4 FLAT WASHER	13	SHAFT GUARD
		47	1/2 TORQUE ARM LINK BOLT (X 2 ENDS)	30	BRASS PUSH BOLT 1/2 NC (X 2 ENDS)	*** 14	BEARING SFCN IP (RE) SEE NOTE (1)
		48	TORQUE ARM WELDMENT	31	1/2 H NUTS (X 2 ENDS)	15	PACKING GLAND A1705 (X 2 ENDS)
		49	DUSTING BAFFLE WELDMENT	32	1/2 FLAT WASHER SAE (X 2 ENDS)	16	S/S/T LOCK RING



- 60 SPEED SENSOR * INSTALL
- 61 SAFETY DECALS
- 62 NAME PLATE S/N
- 63 GEAR OIL BY * INSTALLER
- 64 PRE-GREASED
- 65 PAINT RAL 5015 SAFETY BLUE
- ALL GRADE 5 PLATED FASTENERS WHERE AVAILABLE
- * OPTIONAL
- ** SUGGESTED SPARE
- *** RECOMMENDED SPARE

- INSTRUCTION MANUALS:
- SFCN BEARING
 - TA2 SPEED REDUCER
 - TXT SPEED REDUCER
 - FEEDER MAINTENANCE PROCEDURE
 - FEEDER DRIVE OPTIONS
 - ISOLATOR DESIGN AND EXPLOSION CALCULATIONS
 - ISOLATOR MAINTENANCE SERVICE

FEEDER SIZE + BRG	TOP KNIFE BE2/BE2F
1418 (203)	1/4 x 2 x 13 1/2
1620 (203)	1/4 x 2 x 16 3/4
2020 (215)	1/4 x 2 x 17 3/8
2025 (215)	1/4 x 2 x 22 3/8
2030 (215)	1/4 x 2 x 27 3/8
2530 (215)	1/4 x 2 x 27 3/8
2535 (215)	1/4 x 2 x 32 3/8
3030 (315)	1/4 x 3 x 27 3/8
3035 (315)	1/4 x 3 x 32 1/4
3040 (315)	1/4 x 3 x 36 1/8
3045 (315)	1/4 x 3 x 41 1/4
3545 (415)	5/8 x 4 x 43 1/4

42° BEVEL FROM THE FLAT

- EXCHANGE FEEDER W/ INDUSTRY STANDARD FLANGES
- "RULE OF THUMB" CHIPFEEDER CLEARANCES ROTOR TIPS TO HOUSING BORE 0.001" PER INCH OF BORE



TAPERMOUNT STEEL PILOT FLANGE BEARING

15. SFCN IP EXPANSION DRIVE END	KIT (REBUILD) NON EXPANSION
SFCN IP 203RE 072368-344	072368-344
SFCN IP 207RE 072370-364-070895	072370-364-070895
SFCN IP 215RE 072374-350-070899	072374-350-070899
SFCN IP 307RE 072378-354	072378-354
SFCN IP 315RE 072382-358-070906	072382-358-070906
SFCN IP 407RE 072384-360-070908	072384-360-070908

ALSO AVAILABLE IN MOD VERSION

PROJECT
BAUM BE2 CHIP FEEDER

TITLE
VALVE-ROTARY EXPLODED VIEW

APPROVED	SIZE	CODE	DWG NO	REV
CHECKED	D		A-7044	01
DRAWN	2023-07-19	SCALE 1:20	WEIGHT	SHEET 1/2