



WWW.BAUMPNEUMATICS.CA

Specifications

BE2 Big Bore
Wood Products Feeders
Drives and Capacities

A-1105

Rev. 6

8/20

FEEDER MODEL	BARE SHAFT WT	(TXT) ^Δ SHAFT MOUNT REDUCER GEARBOX CLASS 2	PREMIUM MOTOR H.P. + CLASS		FEEDER RPM GREEN FINE CHIPS DUST		CAPACITY @100%		RECOMMENDED CAPACITIES - UPH				
			1	2	DISPLACEMENT Cu.Ft. /Rev.	CFM	MAX UPH (70%)	SCRN BARK SCRNS CHIPS SHAVINGS (65%)	HAMMER BARK UNSCRN CHIPS UNSCRN HOG FUEL (55%)	KNIFE HOG UNSCRN OSB FLAKES (45%)	FINE DUST (65%)		
2020BE2	1130	TXT425	3	5	42	34	2.7	115.2	24	22	19		18*
2025BE2	1288	TXT425	3	5	42	34	3.7	157.1	33	31	26		25*
2030BE2	1470	TXT425	5	7.5	42	34	4.5	188.6	40	37	31		30*
2530BE2	1990	TXT425	5	7.5	38	30	7.0	266.1	56	52	44	36	41*
2535BE2	2290	TXT425	5	7.5	38	30	8.0	304.8	64	59	50	41	47*
3030BE2	2865	TXT525	7.5	10	35	28	9.9	345.1	72	67	57	47	54*
3035BE2	3140	TXT525	7.5	10	35	28	11.7	408.9	86	80	67	55	64*
3040BE2	3650	TXT625	10	15	35	28	12.7	443.8	93	87	73	60	69*
3045BE2	4150	TXT625	10	15	35	28	14.8	518.0	109	101	85	70	81*
3545BE2	6000	TXT725	15	20	32	26	20.0	641.2	135	125	106	87	102*
3550BE2	6300	TXT725	15	20	32	26	23.1	738.6	155	144	122	100	117*
3555BE2	6800	TXT725	15	20	32	26	24.9	796.2	167	155	131	107	126*

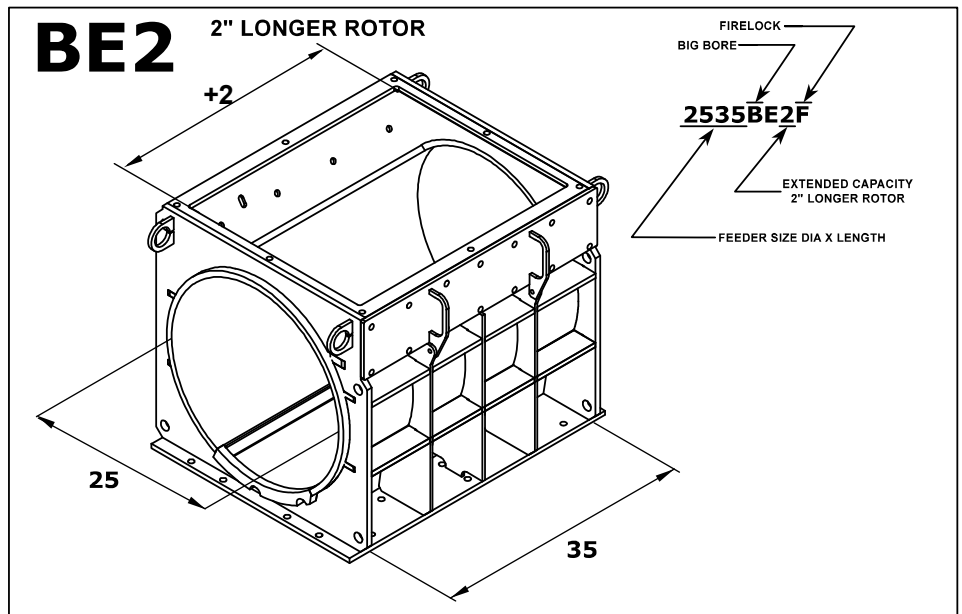
Refer to the Baum Pneumatics maintenance manual for safety and additional information regarding ESR / BE / ISOLATOR Feeders

* For isolators see A-1110

** For certified dimension drawings contact Baum Pneumatics

Δ 1.68 service factor for belt drives

FEEDER SIZE IS DETERMINED BY DIAMETER X LENGTH OF HOUSING DISCHARGE



MAX volume (70%) can only be achieved with a good infeed (see A-1280).

UPH = Units Per Hour
one unit equals 200
cubic feet of loose material

Weight is in pounds (Net)

Reduce RPM for light material, (slower to reduce perculating the material at the infeed of the feeder)

+ Motor, Drive and Reducer is for Class 2 Service.

Class 3 recommended for feeders operating close to their max capacity, (use 2 15/16 shaft on 20x30 feeder and 3 7/16 shaft on 25x35)