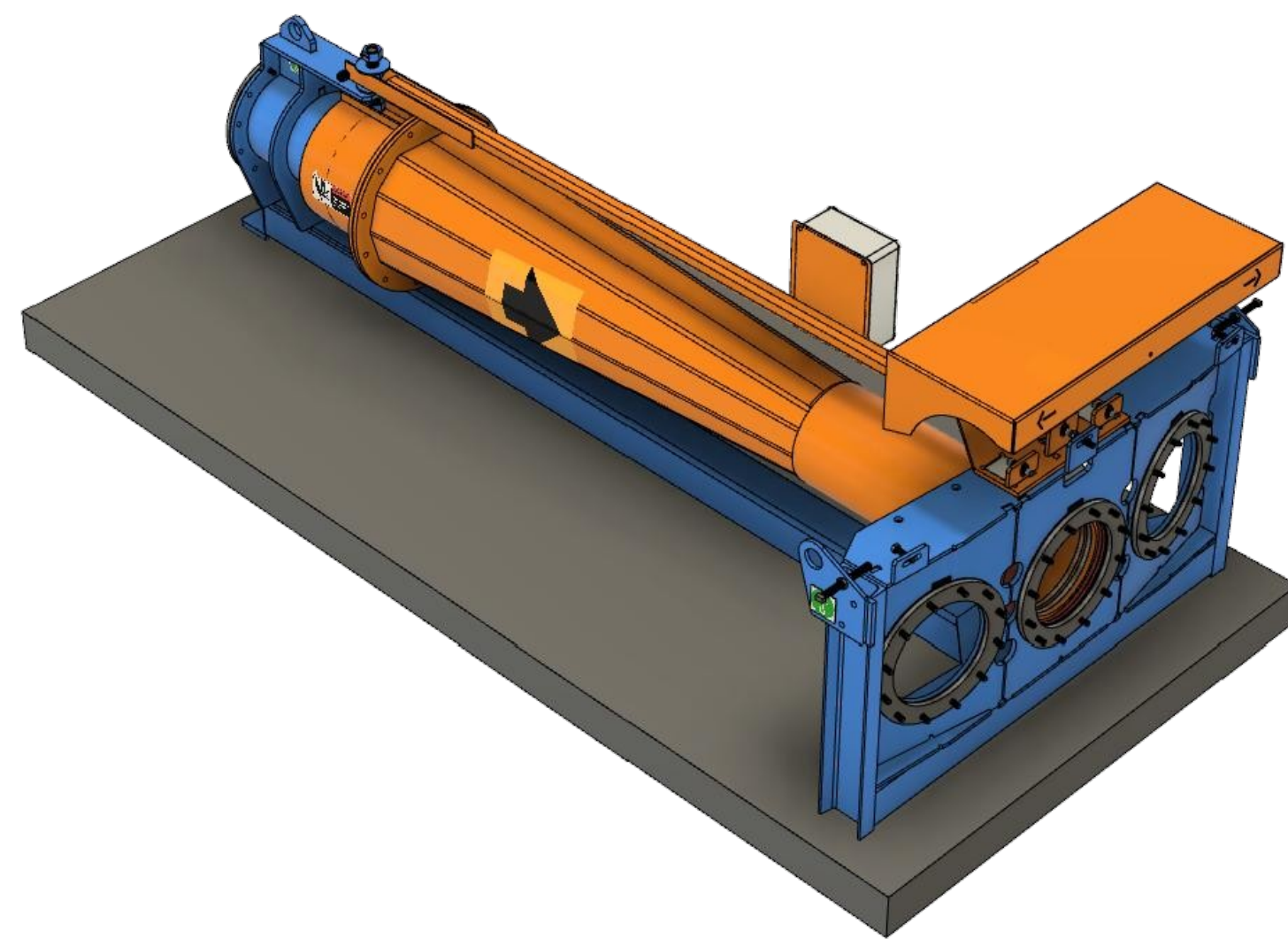
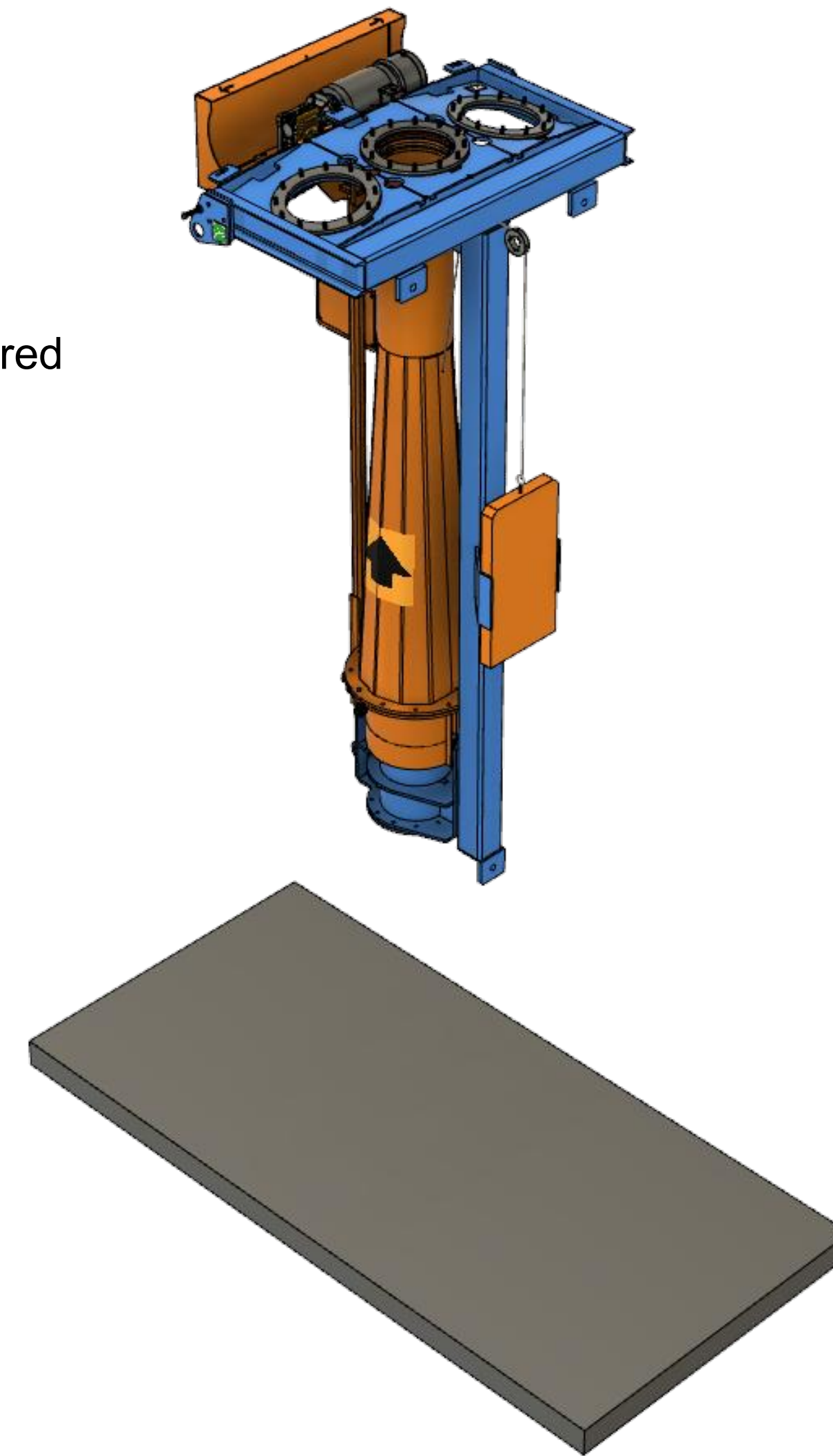


A



C

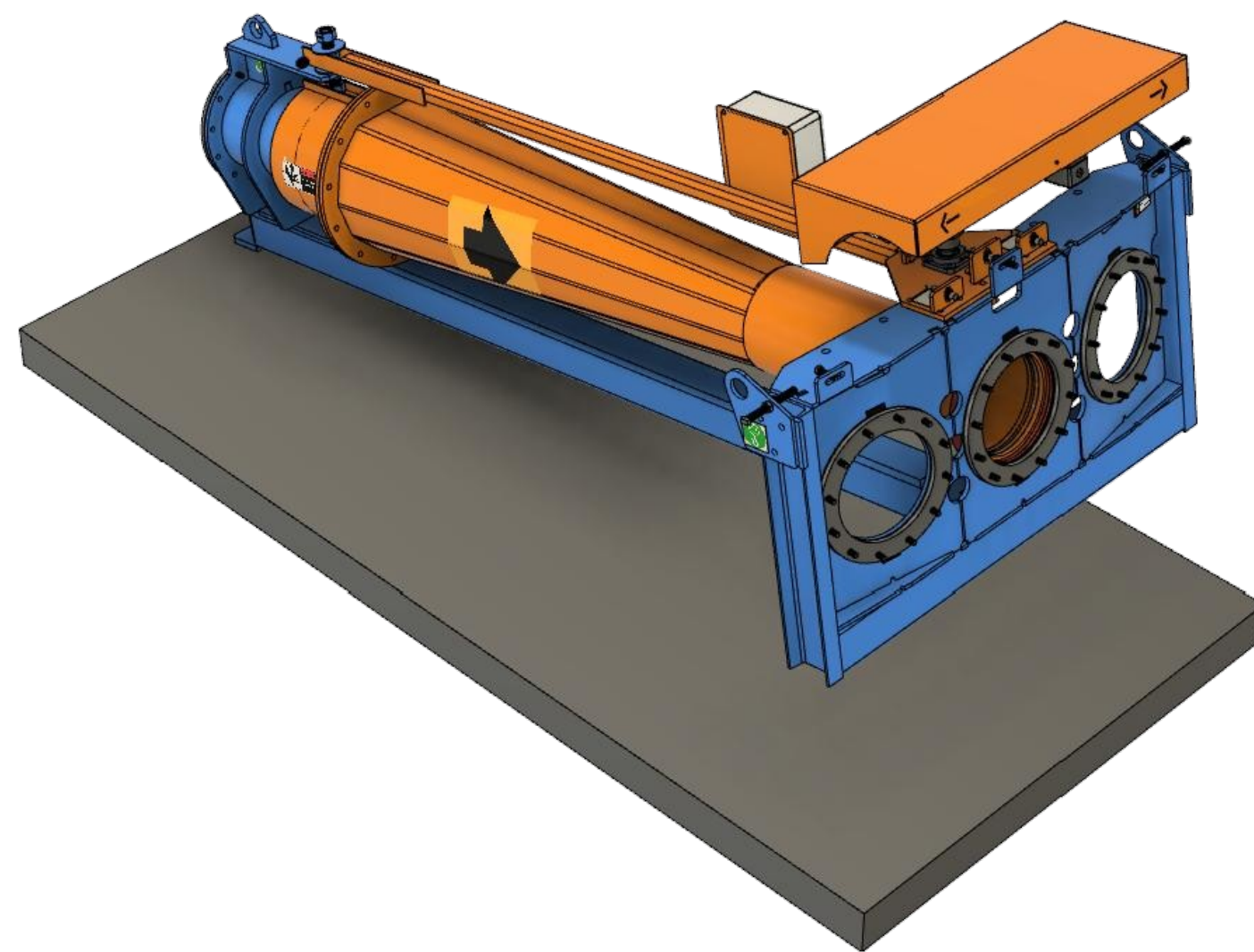
Counter Weight Required
10"-24" Sizes



INSTALLATION OPTIONS:

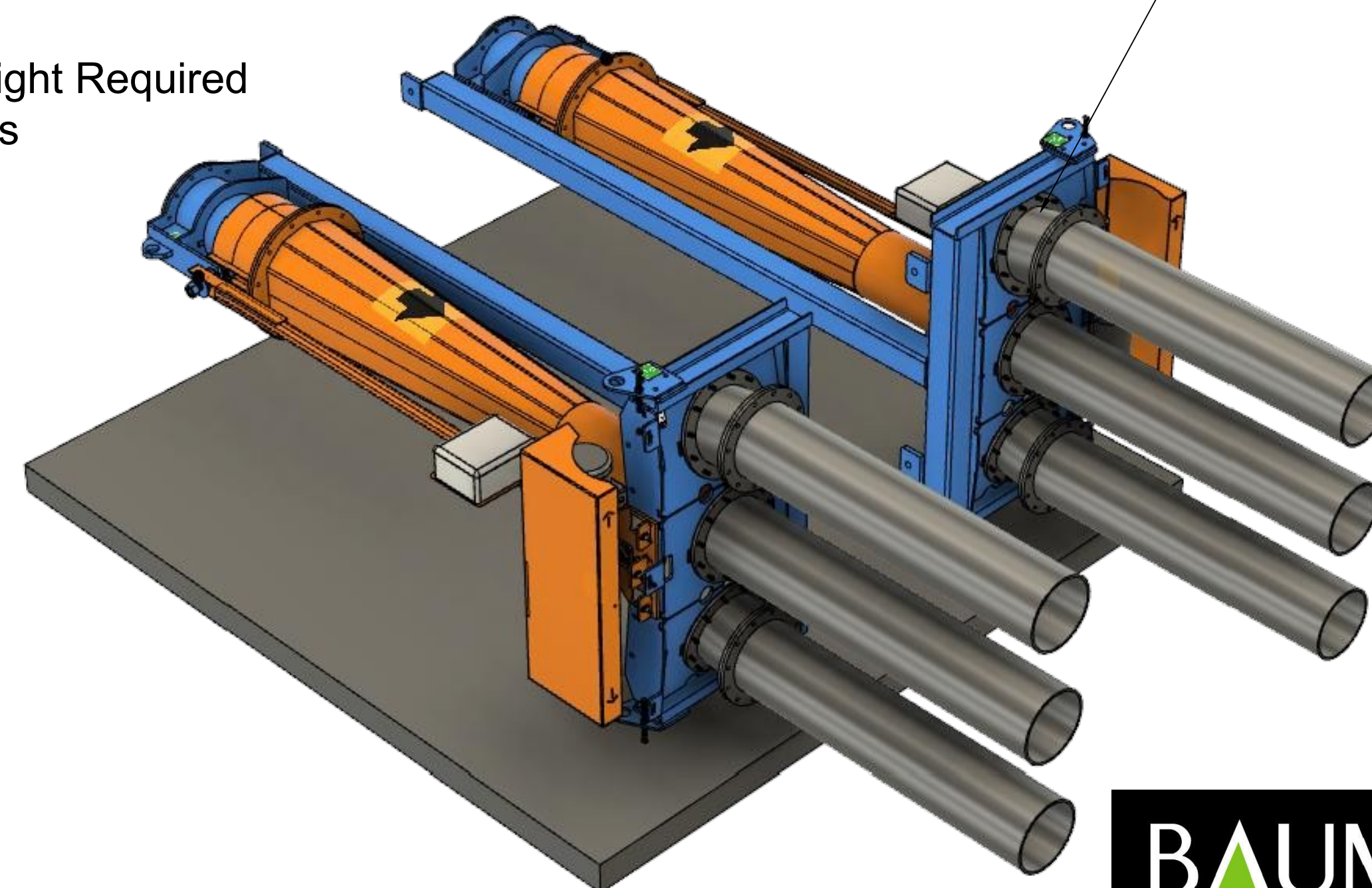
- A - Horizontal
- B - Sloped
- C - Vertical
- D - Side

B



D

Counter Weight Required
12"-24" Sizes



A2030 Mitered Elbows



D

C

B

A

D

C

B

A



PROJECT
Diverter Valve Mounting Options
TITLE
A-3020

APPROVED	SIZE	CODE	DWG NO	REV
CHECKED	D			01
DRAWN Ehsan Tootoon	SCALE 1:50	WEIGHT	SHEET 1/1	