



WWW.BAUMPNEUMATICS.CA

Specifications

Diverter Valve

Model H9

2Way Handwheel

A-3350

Rev. 1

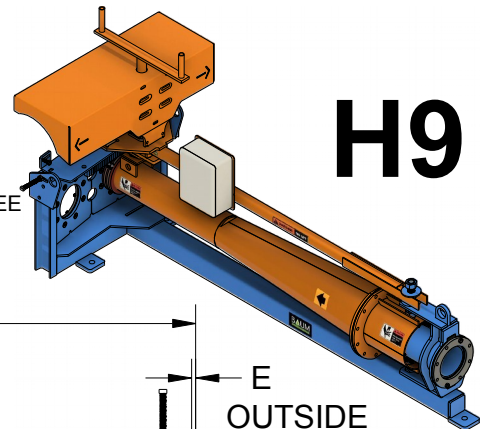
04/20

Line Size	6 ⁵ / ₈	8 ⁵ / ₈	10 ³ / ₄	12 ³ / ₄	14	16	18	20	22	24
A	86 ³ / ₈	86 ³ / ₈	110	130 ¹ / ₄	130 ¹ / ₄	168 ³ / ₄	168 ³ / ₄	191 ³ / ₄	191 ³ / ₄	211 ¹ / ₄
B	76 ¹ / ₈	76 ¹ / ₈	94 ⁷ / ₁₆	112 ⁵ / ₁₆	112 ⁵ / ₁₆	148 ³ / ₁₆	148 ³ / ₁₆	166 ¹ / ₄	166 ¹ / ₄	184 ¹ / ₄
C	13 ¹ / ₄	13 ¹ / ₄	16 ³ / ₈	19 ³ / ₈	19 ³ / ₈	25 ⁵ / ₈	25 ⁵ / ₈	28 ³ / ₄	28 ³ / ₄	32
D	11 ³ / ₄	13	16 ¹ / ₄	18 ¹ / ₄	18 ¹ / ₄	21 ³ / ₄	22 ³ / ₄	25 ³ / ₄	26 ³ / ₄	29 ³ / ₄
E	1 ¹ / ₈	1 ¹ / ₈	1 ⁵ / ₈	1 ⁵ / ₈	1 ⁵ / ₈	2 ¹ / ₄	2 ¹ / ₄	2 ¹ / ₂	2 ¹ / ₂	2 ³ / ₄
WT	410	550	750	1100	1200	1700	2300	2600	2800	3500

NOTE: Dimensions In Inches, Weights In lbs, Varying Slightly With Production Models
Request Certified Drawings of Particular Model Or Application For Exact Dimensions

NOTE:

1. VALVE MUST BE MOUNTED ON A RIGID STRUCTURE OR CONCRETE FOUNDATION
2. THE PIVOT MAY BE ROTATED 360° IN INCREMENTS OF 90° TO COMPENSATE FOR UNEVEN WEAR OR THE TAPER
3. VALVE MAY BE MOUNTED HORIZONTALLY, SLOPED, VERTICALLY, OR SIDeways (SEE [A3020](#))
4. SUPPORT PIPES INDEPENDENTLY OF VALVE
5. LEFT HAND OFFSET SHOWN (LOOKING IN DIRECTION OF FLOW)



H9

