

8 7 6 5 4 3 2 1

D

C

B

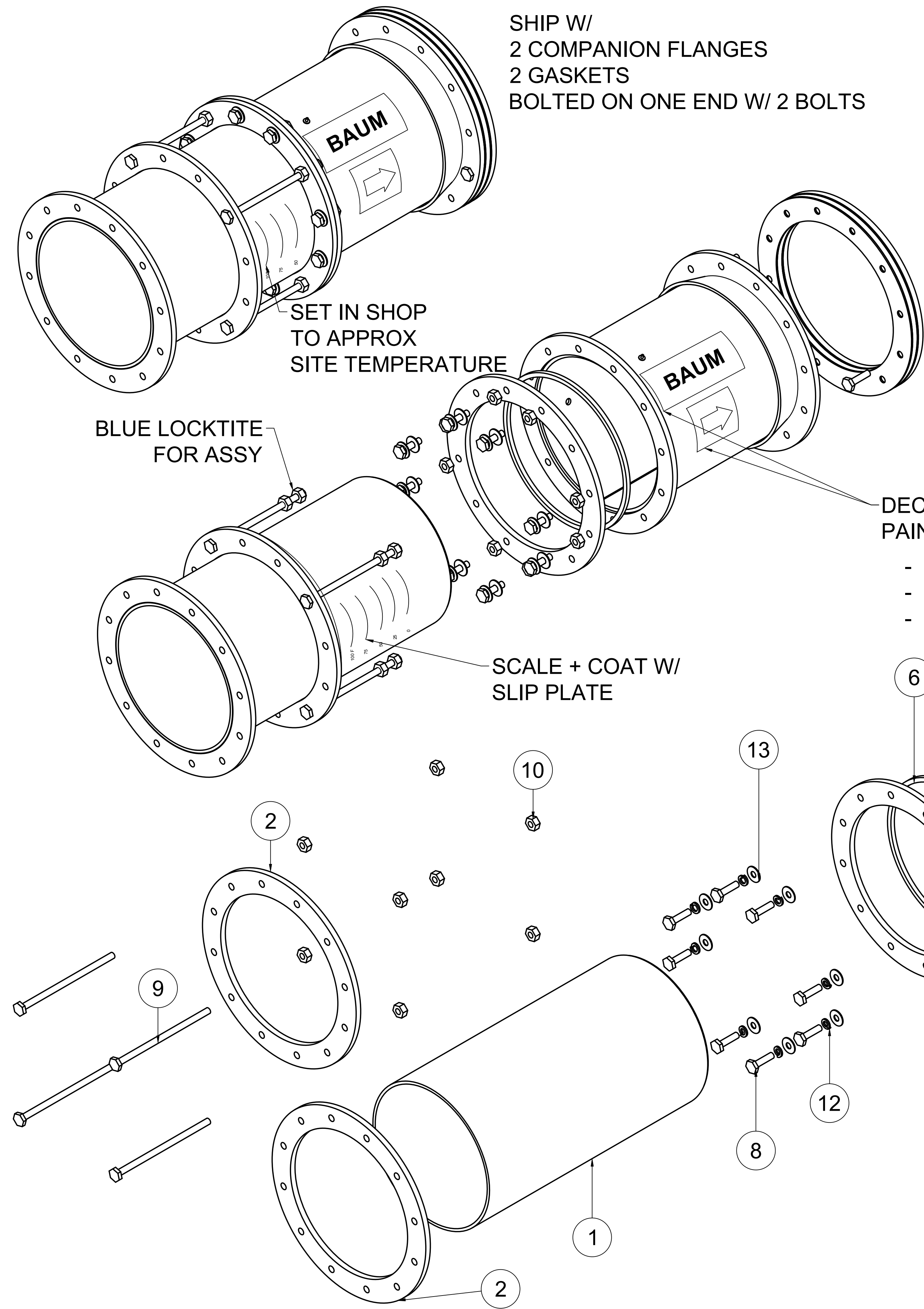
A

D

C

B

A



SHIP W/
2 COMPANION FLANGES
2 GASKETS
BOLTED ON ONE END W/ 2 BOLTS

SET IN SHOP
TO APPROX
SITE TEMPERATURE

BLUE LOCKTITE
FOR ASSY

SCALE + COAT W/
SLIP PLATE

DECALS(5) AFTER
PAINT

- BAUM X 1
- GREASE X 3
- FLOW X 1

PARTS LIST				
ITEM	QTY	PART NUMBER	DESCRIPTION	MATERIAL
1	1		PIPE, 1/4 T,"A" OD, "D" LONG	STEEL
2	6	A9500	B.L. FLANGE	STEEL
3	1	A9500	B.L. FLANGE, 1/2 T, ID MACHINED TO "A"+ 3/4	STEEL
4	1	SEE "R" FOR FLAT	CNC, 1/4 PL, ROLLED, "F" OD,"H" LONG	STEEL
5	1		CNC, 1/4 PL, ROLLED, SMALLER OD "A"-1/16	STEEL
6	1		3/8X3/8 SQ PACKING, GC-89 "M" LONG	TEFLON
7	3		1/8 NPT GREASE FITTING (STRAIGHT)	STEEL
8	10		HHCS 1/2-13 UNC X 2 W/ F/ WASH PLATED	STEEL
9	4		HHCS 1/2-13 UNC X 10 W/ F/ WASH PLATED	STEEL
10	8		LOCKNUT 1/2 UNC PLATED GR5	STEEL
11	2	A-9500	GASKET FULL FACE	NEOPRENE
12	8		LOCK WASHER	STEEL
13	16		WASHER	STEEL
14	8		NUT 1/2 UNC PLATED GR5	STEEL

CUSTOMER:
SYSTEM:
CUST. P.O.:
BAUM JOB NO.:
PAINT COLOR:



PROJECT
Expansion Joint
TITLE
A9110

APPROVED	SIZE	CODE	DWG NO	REV
CHECKED	D			
DRAWN Ehsan Tootoond#7/04/2018	SCALE 1:5	WEIGHT	SHEET 1/3	

8 7 6 5 4 3 2 1

8

7

6

5

4

3

2

1

D

D

C

C

B

B

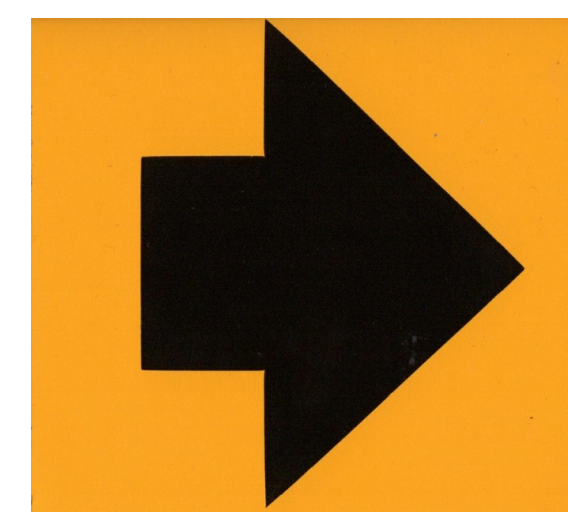
A

A

DECALS AFTER PAINT



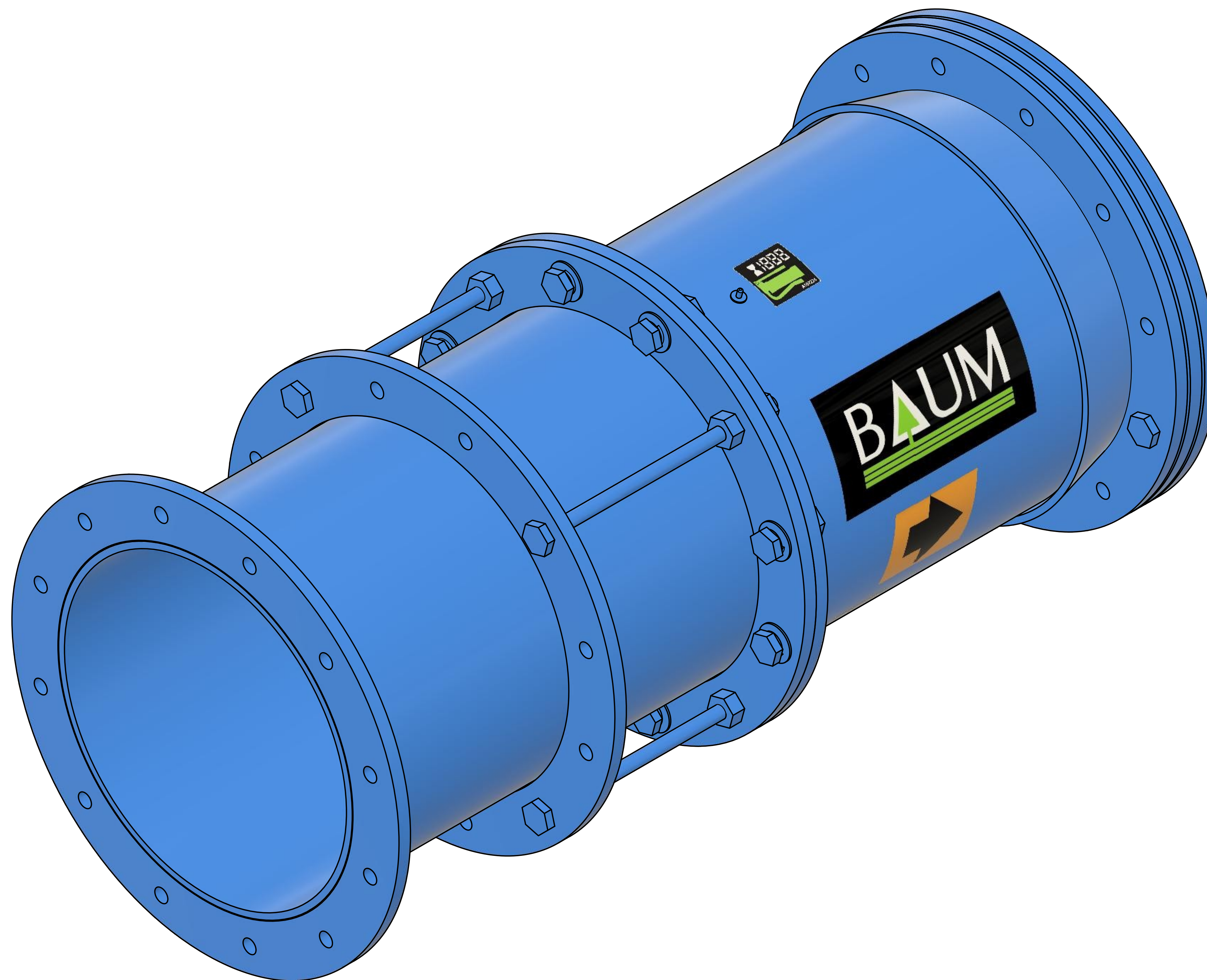
X 3



X 1



X 1



PROJECT
Expansion Joint
TITLE
A9110

APPROVED	SIZE	CODE	DWG NO	REV
CHECKED	D			1
DRAWN Ehsan Tootoond	SCALE 1:2	WEIGHT	SHEET 3/3	

8

7

6

5

4

3

2

1