

8

7

6

5

4

3

2

1

D

D

C

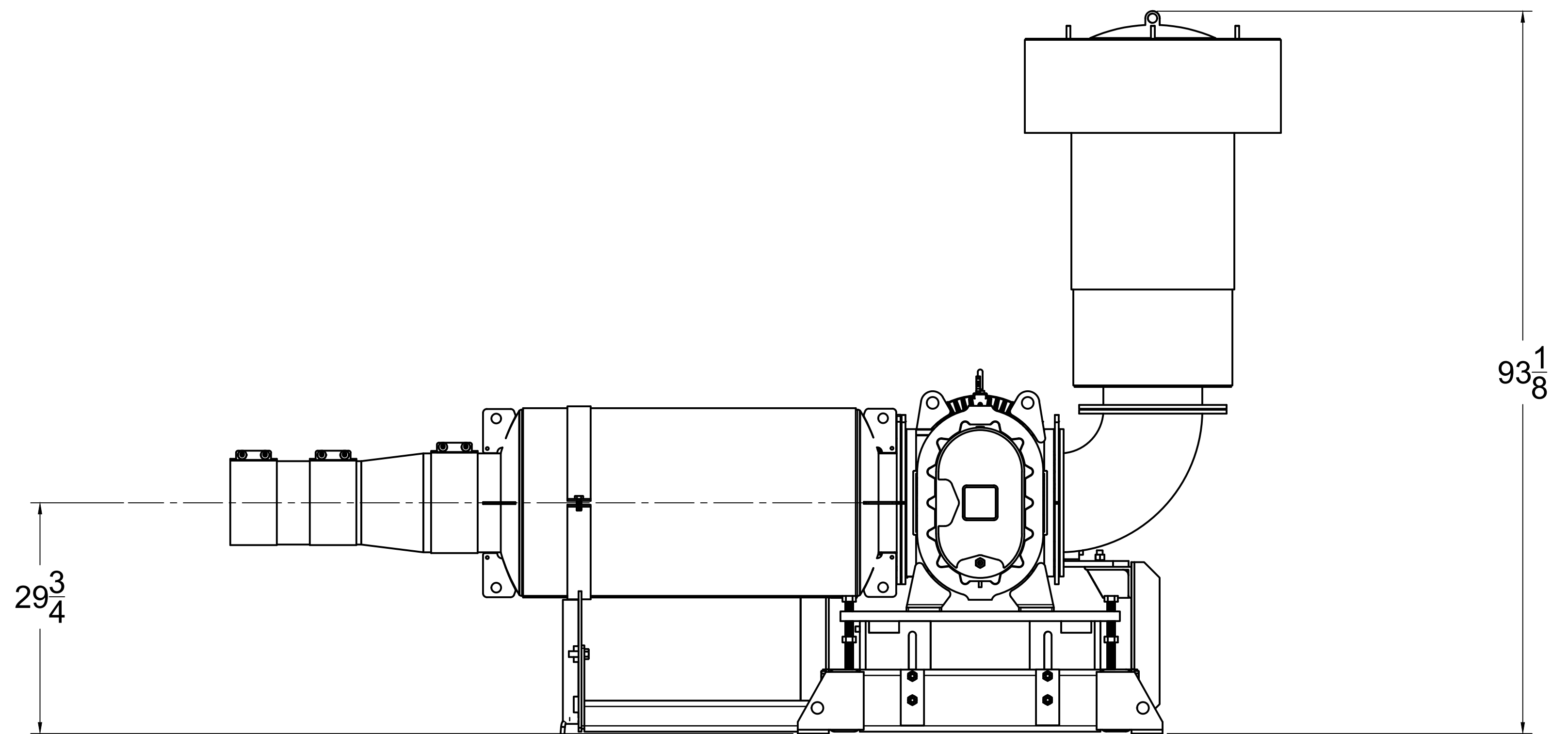
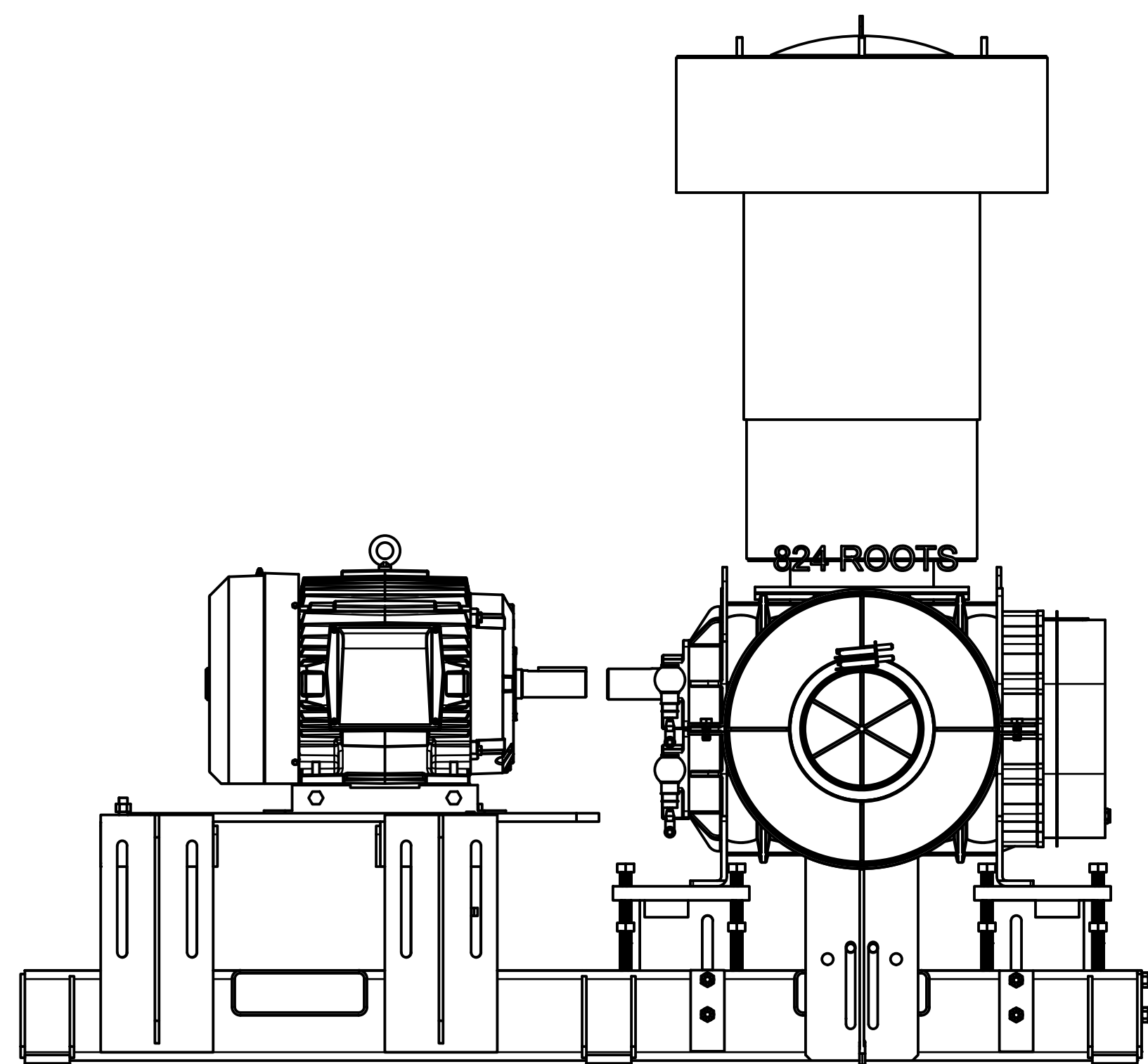
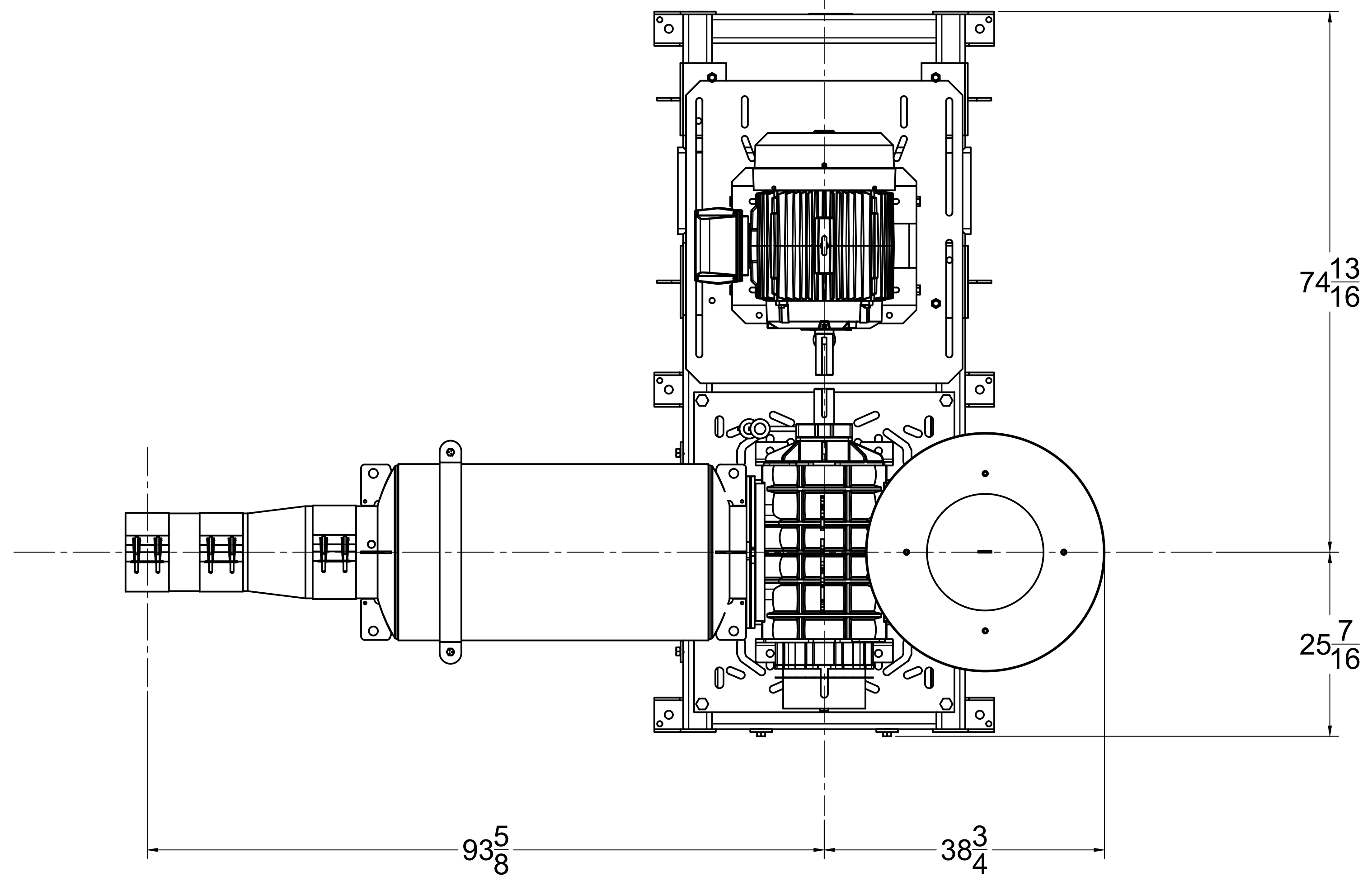
C

B

B

A

A



- EASY INSTALLATION WITH FORKLIFT POCKETS
- ADJUSTABLE BLOWER AND MOTOR POSITIONS



PROJECT
UBB8-S
TITLE
A7830-UBB8-S W/ COUPLING

APPROVED	SIZE	CODE	DWG NO	REV
CHECKED	D			
DRAWN	Ehsan Tooloonchi 18/12/2019	SCALE 1:20	WEIGHT	SHEET 1/1

8

7

6

5

4

3

2

1