



WWW.BAUMPNEUMATICS.CA

Features

Pile Builder
With Adjustable Tip

A-6550

Rev. 0

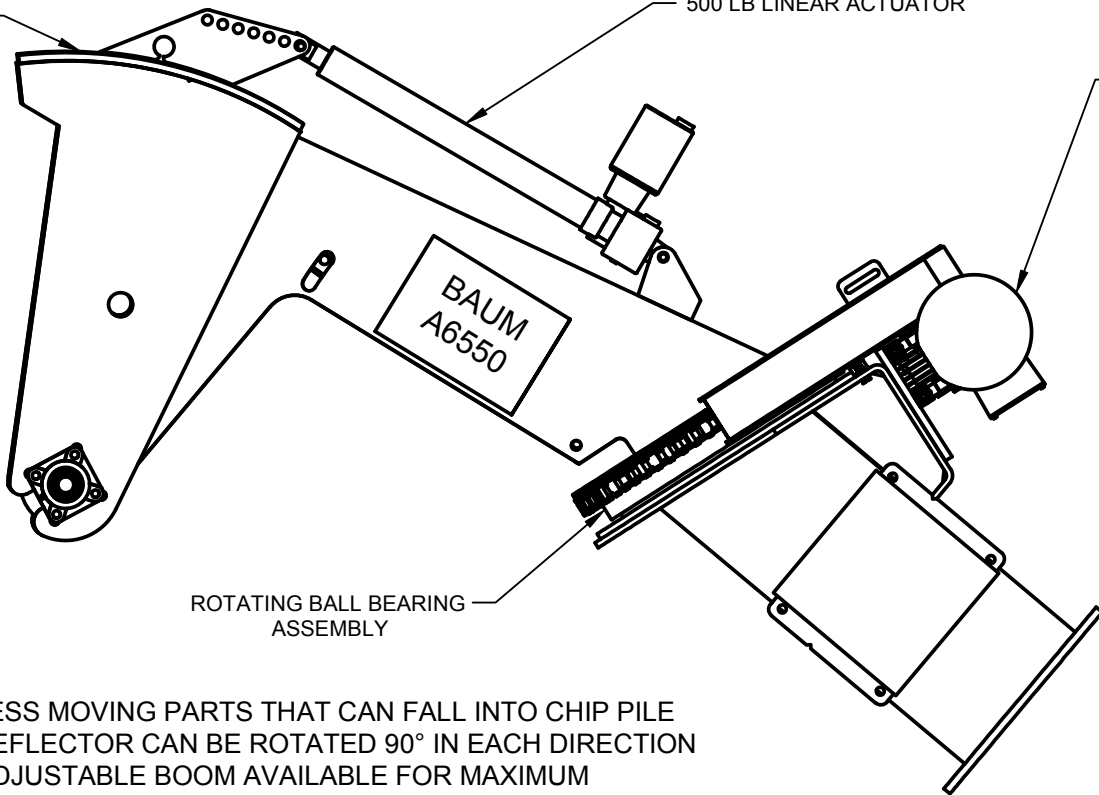
10/19

A.R. PL, ADJUSTABLE
TIP, 35° MAXIMUM
TRAVEL

500 LB LINEAR ACTUATOR

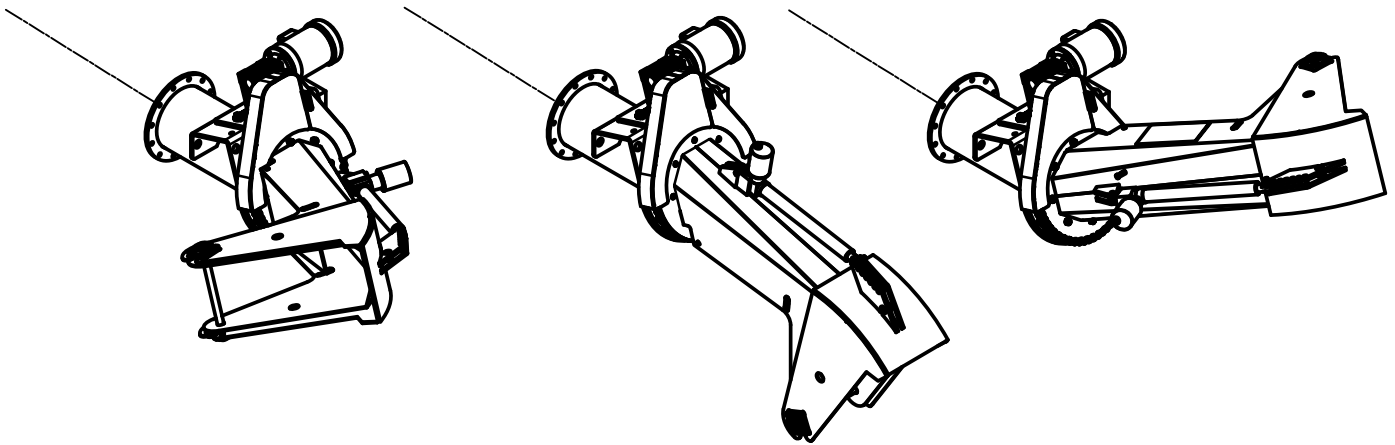
A7

ROTATION
GEARMOTOR
1/2 OR 3/4 HP
TEFC



ROTATING BALL BEARING
ASSEMBLY

- LESS MOVING PARTS THAT CAN FALL INTO CHIP PILE
- DEFLECTOR CAN BE ROTATED 90° IN EACH DIRECTION
- ADJUSTABLE BOOM AVAILABLE FOR MAXIMUM COMPACTION AND CONTROL OF DUST AND FINES SEPARATION
- TIP IS RETRACTED AS PILE HEIGHT INCREASES
- LIMIT SWITCHES FURNISHED BUT NOT SHOWN



** A7TW SMART CHIP DEFLECTOR PACKAGE AND REMOTE CONTROLLED (CELLPHONE) IS AVAILABLE
[CLICK HERE TO SEE HOW IT WORKS](#)