



WWW.BAUMPNEUMATICS.CA

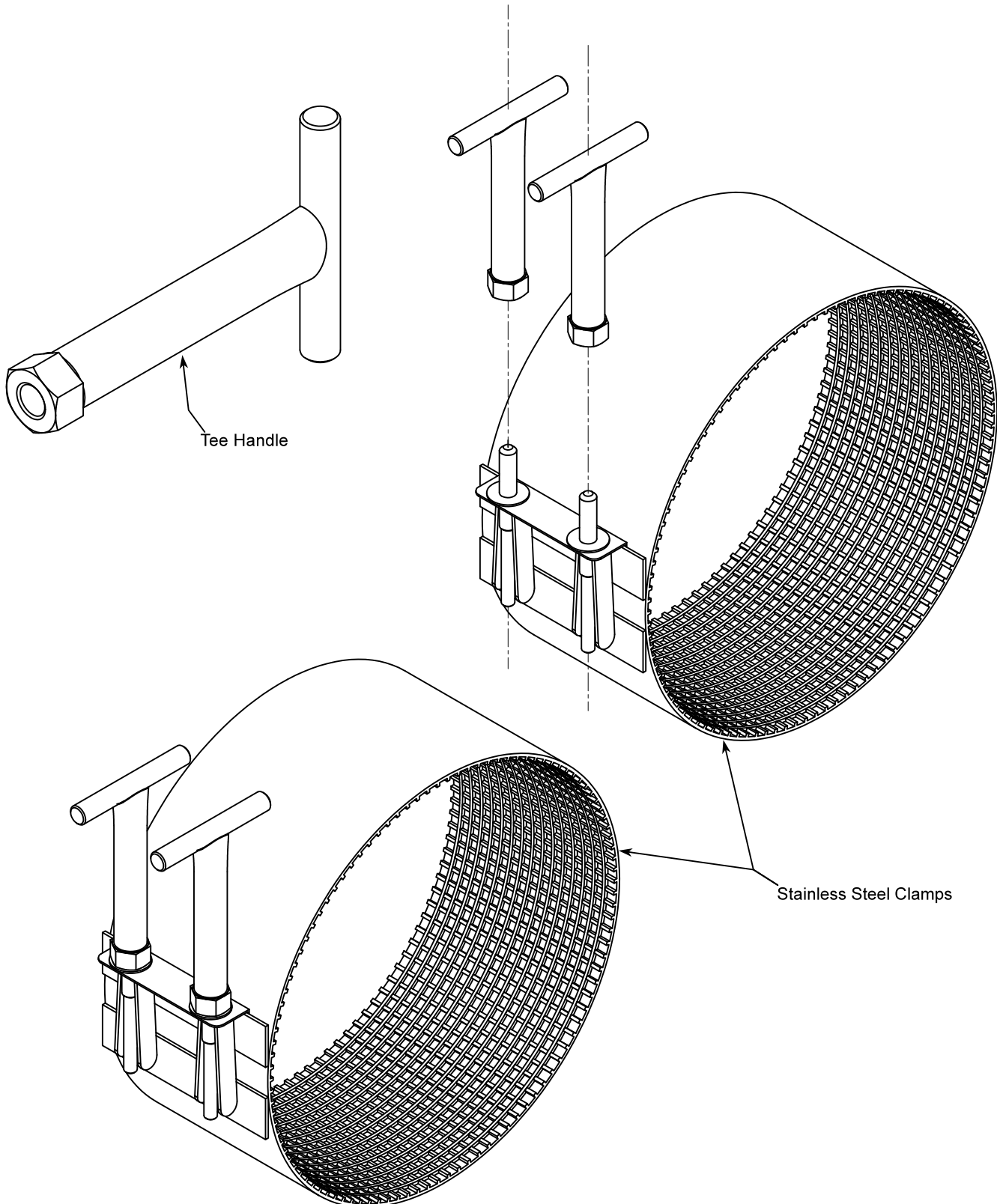
# Specifications

Clean - Out  
Tee Handle and Clamp

A-9269

Rev. 0

07 / 18



For Clean Out dimensions see A-9260  
For stress analysis on Clean Out under different loading  
conditions see A-9270