



WWW.BAUMPNEUMATICS.CA

Specifications

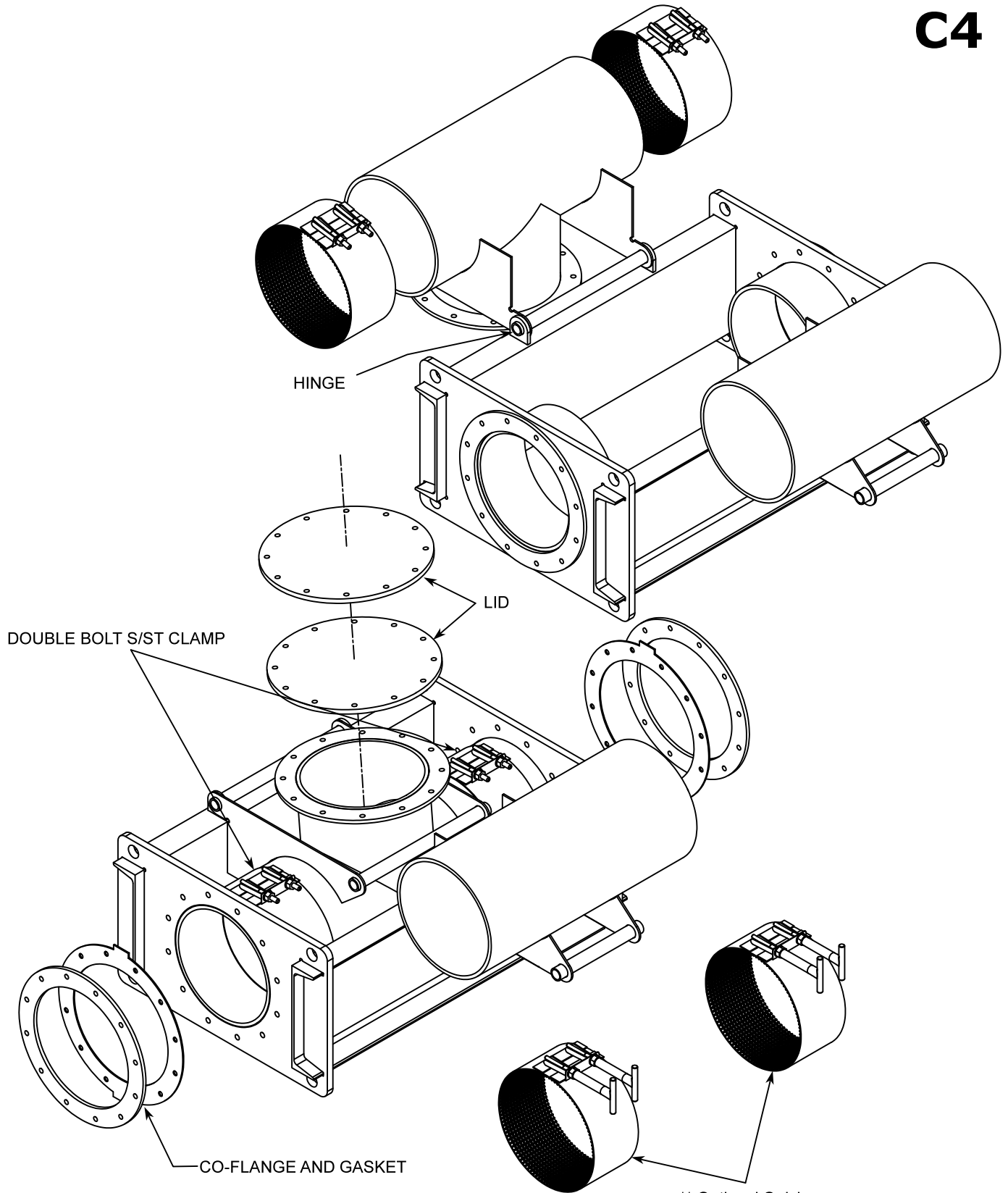
Clean - Out
Self Supporting Double Hinge Tee

A-9264

Rev. 1

07 / 18

C4



For dimensions see A-9260
For stress analysis on Clean Out under different loading conditions see A-9270

** Optional Quick Disconnect Stainless Steel Clamps with Rubber Liners & T-Bolts