



WWW.BAUMPNEUMATICS.CA

Specifications

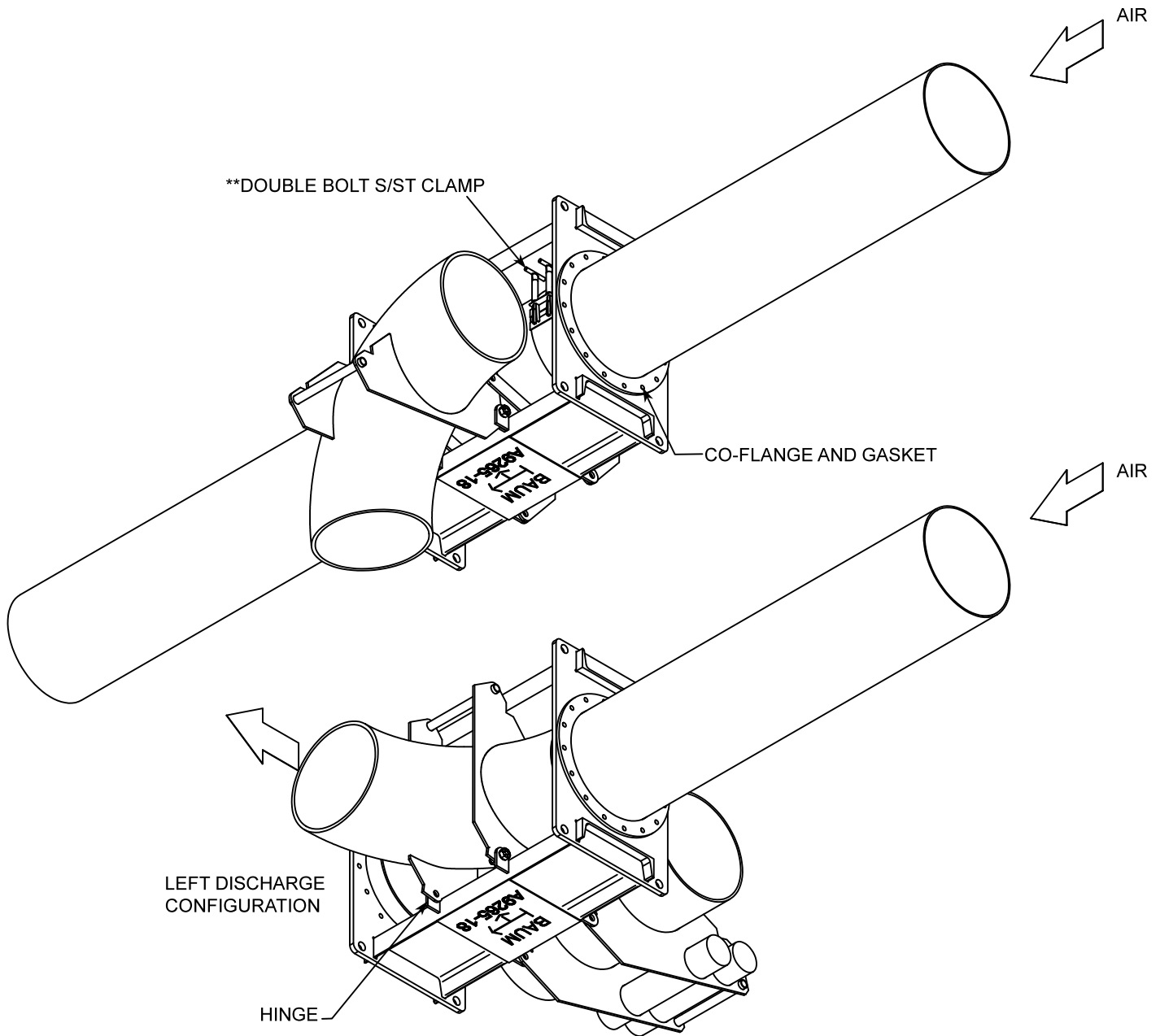
Clean - Out
Self Supporting Double Hinge Elbow
With Linked Motion Mechanism

A-9265

Rev. 0

07 / 18

C3L



For dimensions see A-9260
For the linked motion animation
visit www.BaumPneumatics.com

** Optional Quick
Disconnect Stainless Steel
Clamps with Rubber Liners
& T-Bolts