



WWW.BAUMPNEUMATICS.CA

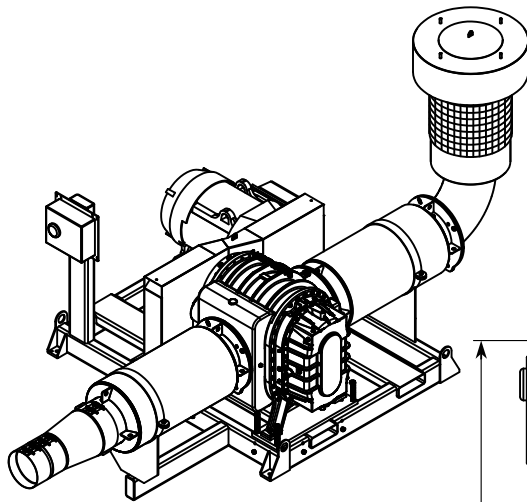
Specifications

Universal Blower Base
(Multi Base) Model 14

A-7840
P

Rev. 1

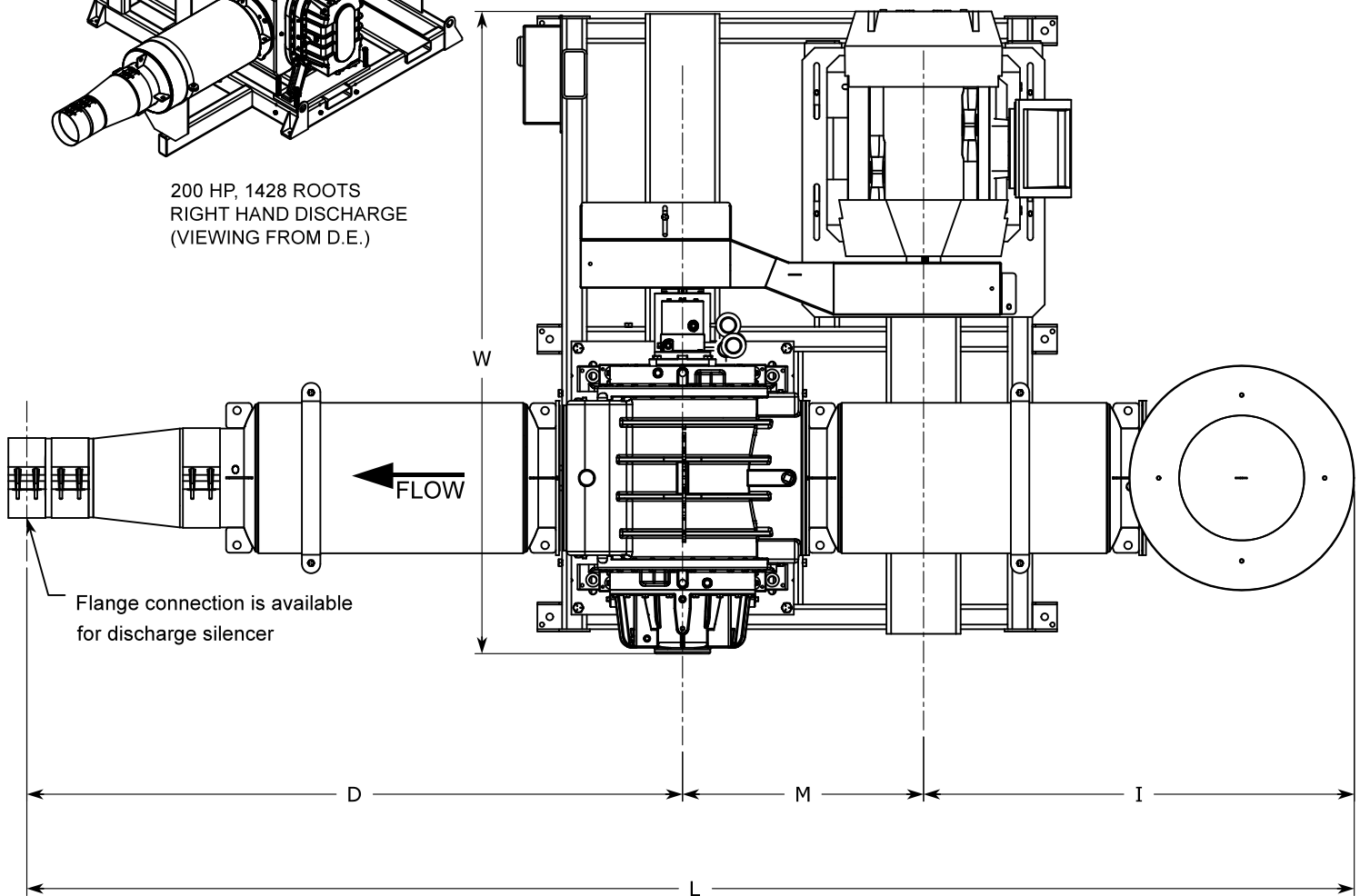
04 / 18



- 7 STANDARD NEMA MOTOR SIZES (50-200 HP)
- LEFT HAND OR RIGHT HAND DISCHARGE
- EASY INSTALLATION WITH JACKING SCREWS AND BUILT-IN FORK LIFT POCKETS
- DESIGNED FOR BOLT-IN EXCHANGE OF THE FOLLOWING BLOWERS W/O FIELD CUTTING OR WELDING:

1030 ROOTS
1228 ROOTS
1428 ROOTS
1431 ROOTS

200 HP, 1428 ROOTS
RIGHT HAND DISCHARGE
(VIEWING FROM D.E.)



DIMENSION	MIN	MAX
L	210 $\frac{1}{4}$	215 $\frac{1}{4}$
W	101 $\frac{1}{2}$	104
M	39	39
D	106 $\frac{1}{4}$	106 $\frac{1}{4}$
I	65 $\frac{1}{4}$	70 $\frac{1}{4}$