



WWW.BAUMPNEUMATICS.CA

# Specifications

Universal Blower Base  
(Multi Base) Model 8

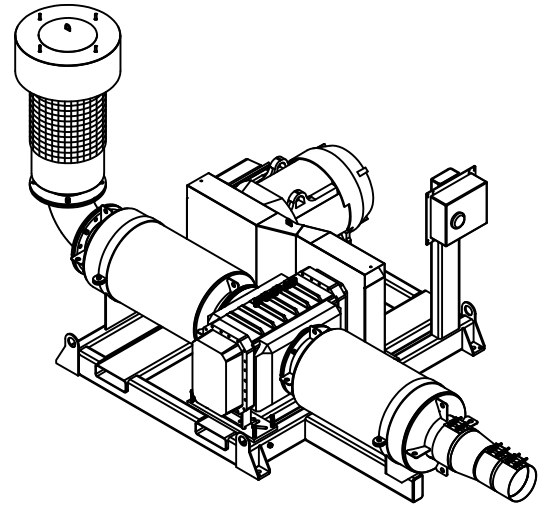
A-7820  
P

Rev. 1

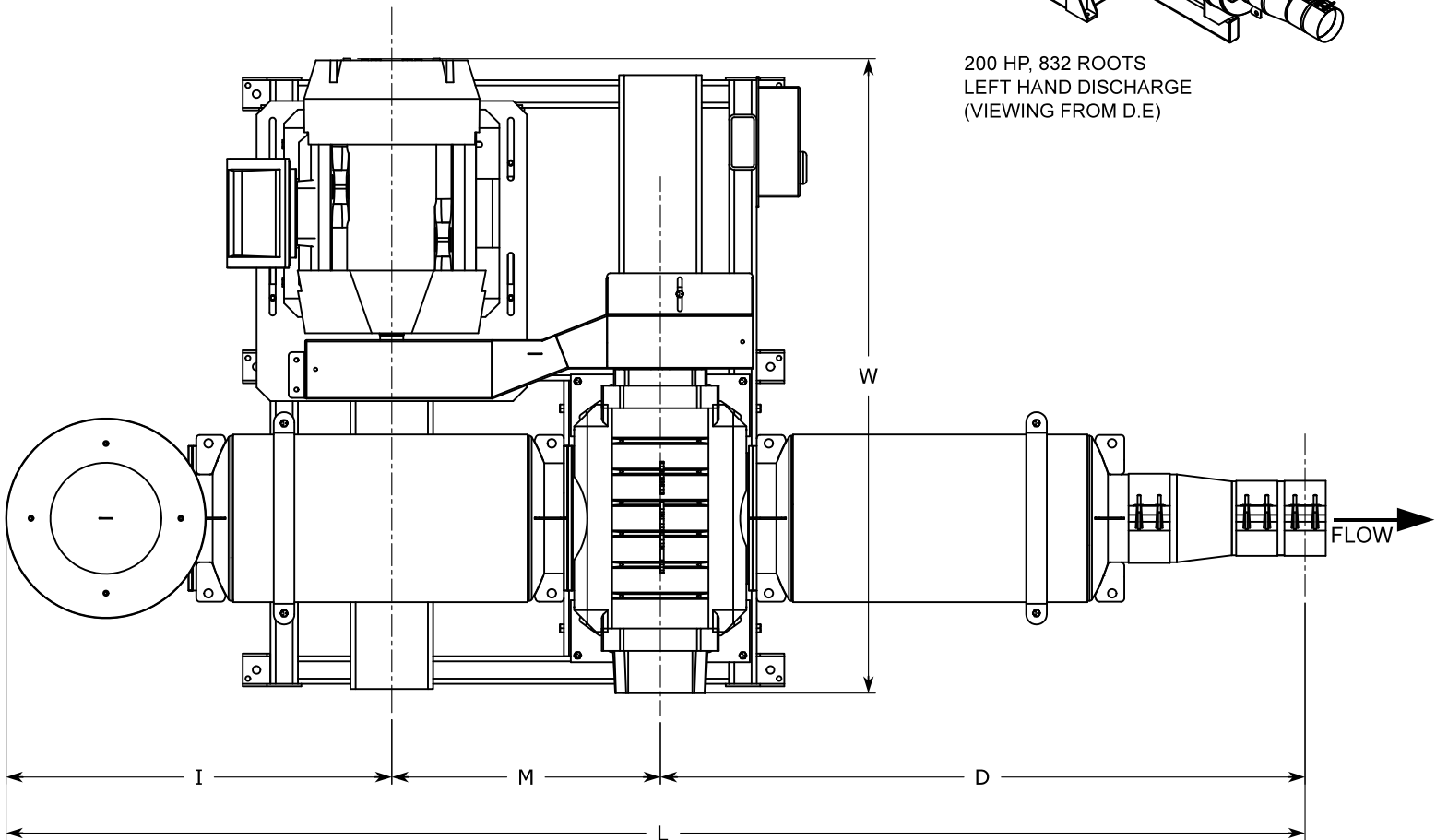
04 / 18

- 7 STANDARD NEMA MOTOR SIZES (50-200 HP)
- LEFT HAND OR RIGHT HAND DISCHARGE
- EASY INSTALLATION WITH JACKING SCREWS AND BUILT-IN FORK LIFT POCKETS
- DESIGNED FOR BOLT-IN EXCHANGE OF THE FOLLOWING BLOWERS W/O FIELD CUTTING OR WELDING:

832 HIBON  
832 ROOTS  
827 ROOTS  
826 ROOTS  
824 ROOTS  
824 SUTORBILT  
829 HOLMES



200 HP, 832 ROOTS  
LEFT HAND DISCHARGE  
(VIEWING FROM D.E)



| DIMENSION | MIN                | MAX               |
|-----------|--------------------|-------------------|
| L         | 185 $\frac{5}{16}$ | 188 $\frac{5}{8}$ |
| W         | 88 $\frac{3}{8}$   | 92 $\frac{1}{8}$  |
| M         | 39                 | 39                |
| D         | 93 $\frac{5}{8}$   | 93 $\frac{5}{8}$  |
| I         | 52 $\frac{3}{4}$   | 56                |