

# Specifications

A-1420

## Model ES Rotary Airlock 55" 60" 72" Knife Feeder

REV. 0

JAN. 2011

**NOTES:**

**HOUSING:** - REINFORCED AND FABRICATED MILD STEEL.  
- (4) LIFTING POINTS.  
- MACHINED BARREL (ALIGN BORED), & POLISHED.  
(HARDCHROMED BORE OPTIONAL)

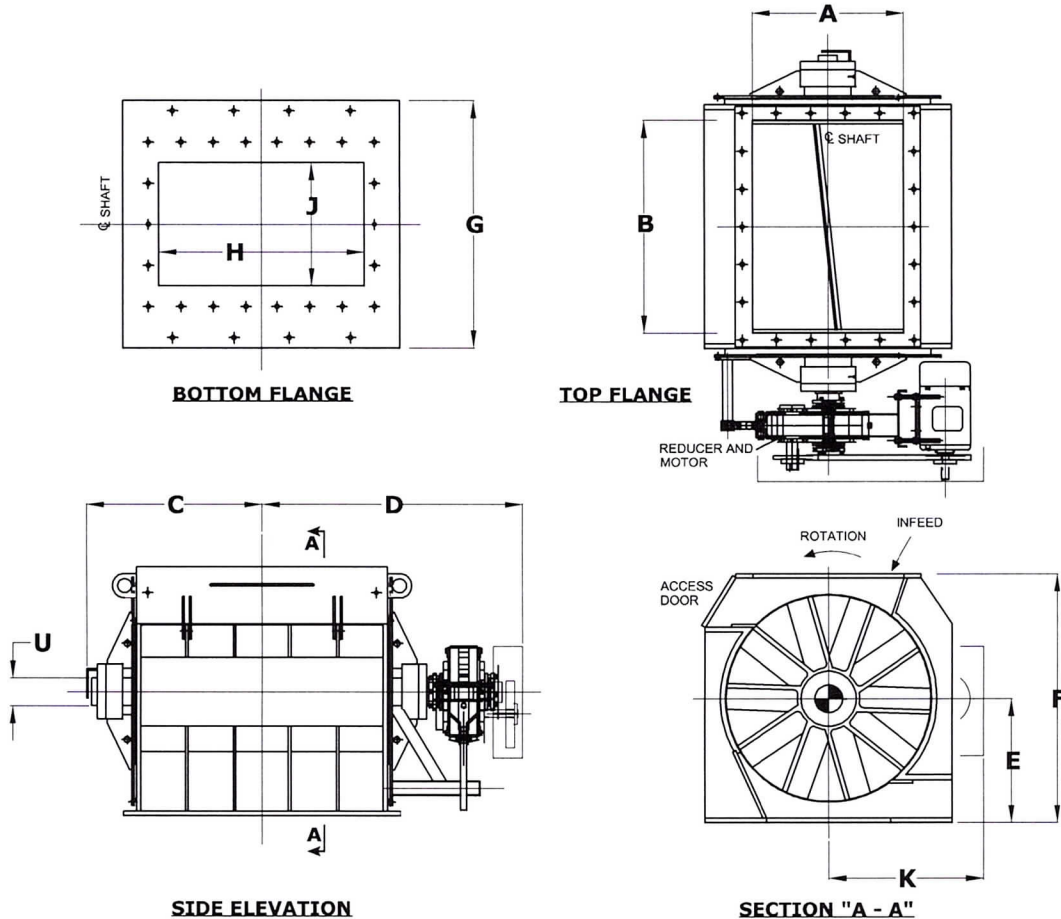
**ENDBELLS:** - (2) FABRICATED MILD STEEL ENDBELLS (REMOVABLE).  
- MACHINED PILOTS TO LOCATE IN HOUSING BORE.  
- HANDHOLE COVERS FOR INSPECTION.  
- PACKING GLAND SEALS.  
- OUTBOARD SPHERICAL ROLLER BEARINGS.  
(TAPER ADAPTER MOUNT)

**ROTOR:** - CLOSED END, (2) END SEALS.  
- (10) HARD FACED STEEL TIPS (410 S/ST.)  
- (2) VANES SEALING EACH SIDE OF BORE (ALL TIMES).

**DRIVE:** - SHAFT MOUNT DRIVE AS SHOWN.  
- CHAIN DRIVE (A-1425).  
- COUPLING DRIVE (A-1428).

**PAINT:** - STANDARD METAL PREPARATION, PRIMED WITH ENAMEL  
FINISH, SAFETY BLUE, GUARDS SAFETY YELLOW.  
- MOTOR AND GEARBOX MANUFACTURERS STD FINISH.

- ALL DIMENSIONS IN INCHES



MODEL NUMBER	SHAFT U-DIA.	A	B	C	D	E	F	G	H	J	K	CU.FT/R	WEIGHT (LBS.)
55 X 55	5 7/16	49"	57"	50"	66"	33"	66"	66"	65"	36"	46"	61.5	20,000
60 X 60	5 15/16	44"	62"	54"	75"	36"	72"	72"	70"	40"	46"	80.9	24,900
72 X 72	6 15/16	54"	75"	66"	87"	42"	84"	84"	84"	46"	47"	145.0	40,100