



WWW.BAUMPNEUMATICS.CA

Specifications

Universal Port Silencers

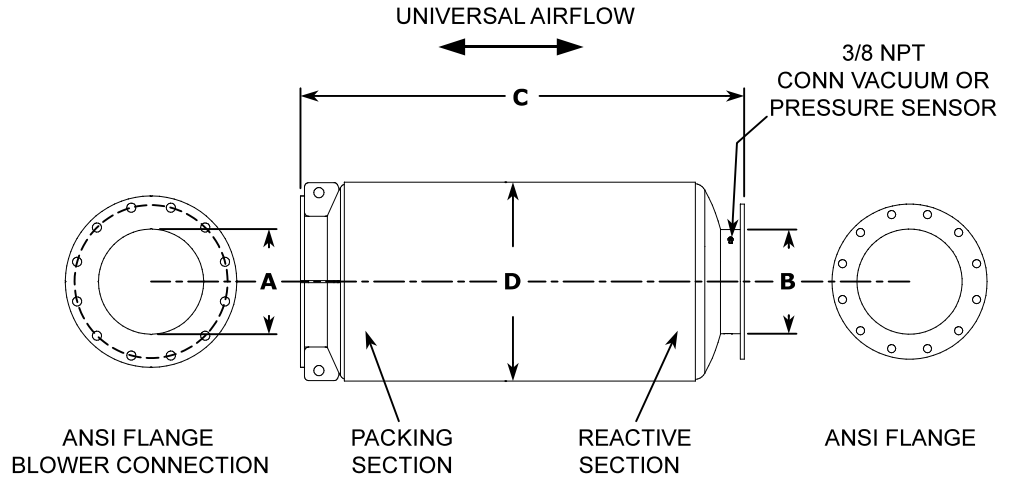
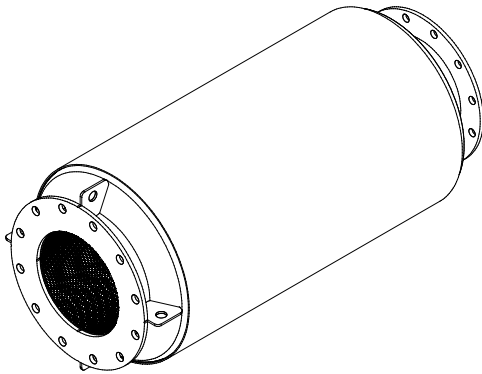
A-8100

Rev. 2

02 / 18

Purpose/ Features

- Reduce damaging blower pulsation
- Very low flow resistance and pressure drop
- Minimal space required
- Low cost
- Patent pending Canada + USA



A	B	C	D
10	8	45 $\frac{5}{16}$	20
10	10	45 $\frac{5}{16}$	20
12	10	54 $\frac{3}{8}$	24
12	12	54 $\frac{3}{8}$	24
14	12	54 $\frac{3}{8}$	24
14	14	54 $\frac{3}{8}$	24
16	14	54 $\frac{3}{8}$	24
16	14	54 $\frac{3}{8}$	24
16	16	54 $\frac{3}{8}$	24

