



WWW.BAUMPNEUMATICS.CA

# Features

A-5505

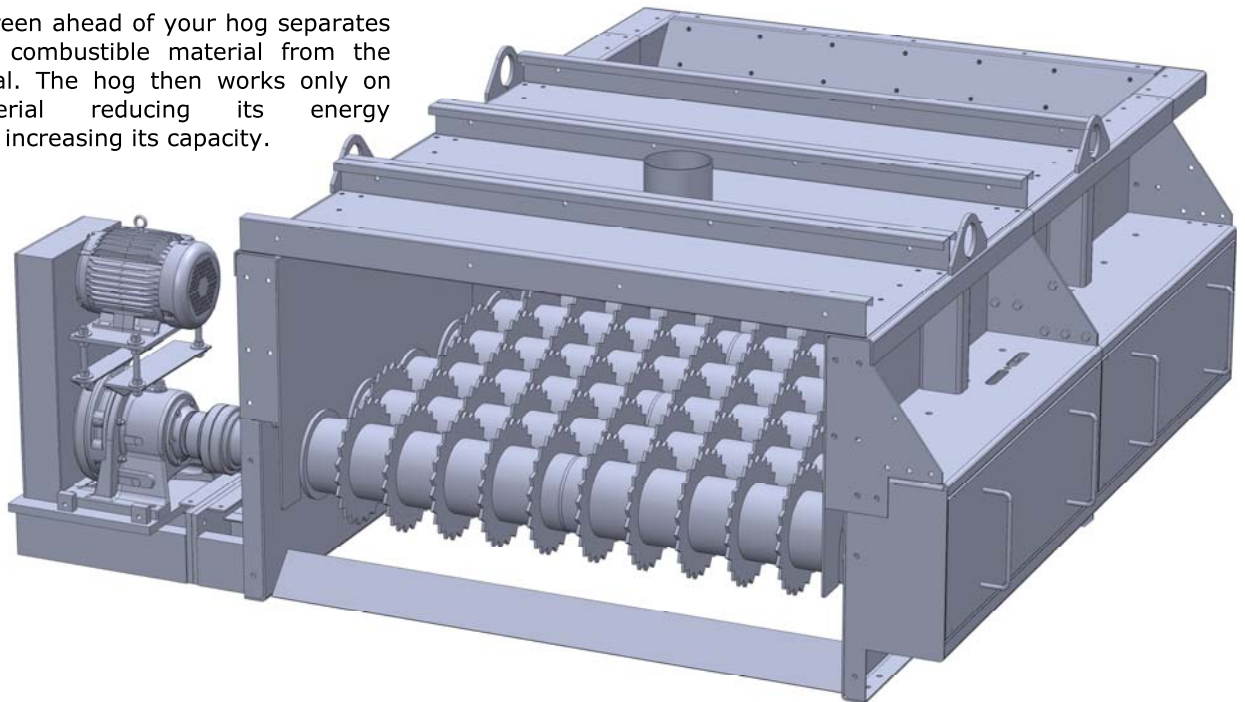
Rev. 1

## Rotary Disc Screen

11 / 17

### UNLOAD A HOG

A Rotary Disc Screen ahead of your hog separates acceptable sized combustible material from the oversized material. The hog then works only on oversized material reducing its energy requirements and increasing its capacity.



Baum Pneumatics disc screens are an efficient and cost-effective choice for high volume primary screening applications. From hog fuel to wood chips, bark to board finish, urban wood to recyclable materials, Baum disc screens deliver performance and reliability, low maintenance operation in the most demanding conditions.

Unscreened bulk materials pass through a bed of parallel rotating shaft assemblies, each shaft features a spaced set of (star-shaped) discs meshing with the adjacent series of discs at precise openings to provide the desired product separation. Acceptable material passes down through the disc spacing, while over-sized material is conveyed to the end of the screen and discharged into a hog, hammermill, re-chipper, bunker or conveyor. Available in (3) standard widths 30", 48", and 66" with processing capacities up to 300 TPH, these screens deliver superior value in screening technology.

The space saving design and low speed (55 RPM) smooth operation eliminates the need for special support structures. The rotary design is self cleaning and low maintenance, the vigorous action of the disc profiles improves screening efficiency, quickly tipping and orienting the wood fiber to the screening space, reducing the required conveying distance on the screen bed surface. Bolted (modular) side panels allows for quick and easy maintenance access.

# Rotary Disc Screen

### Standards / Options:

Disc materials	-3/8" Mild Steel -400BHN
Disc Profiles	-16 Point Star -12 (Scallops) Wave
Disc locating	-Welded -Spacers and Clamps
Bearings	-Ball 4 bolt Flange Units -Ball Pillow Blocks -Spherical Roller Pillow Blocks
Sprockets	-RC100 21 tooth Hardened -Poly Chain Timing Belts
Drive unit	-Shaftmount -Chain Drive
Gearboxes	-Dodge Torque Arm -Rexnord Planetary -Eurodrive
Housing	-1/4"Plate Formed and Fabricated Modular(Bolted) Construction
Paint Shafts	-Safety Orange
Housing	-Cust. color (2) coats
Chuting	-Slip Plate Graphite