



WWW.BAUMPNEUMATICS.CA

Repair Parts Sheet

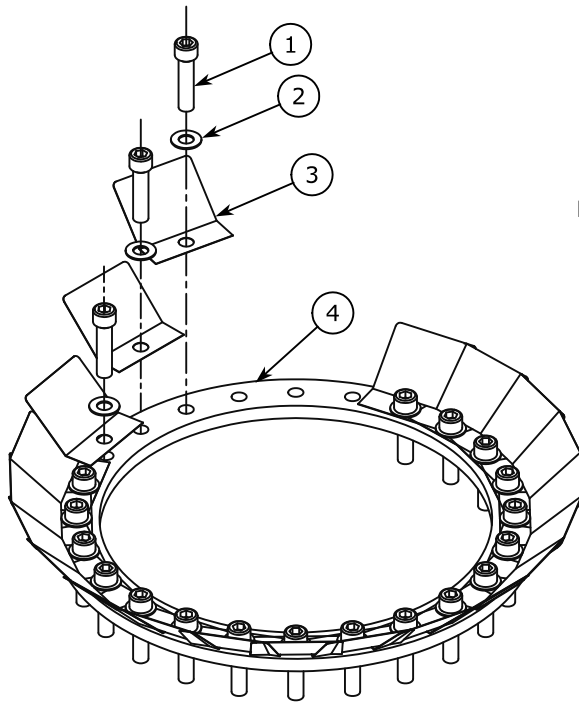
Diverter Valves Spare Pivot Seal & Silicone Discharge Seal Extrusion

A-3909

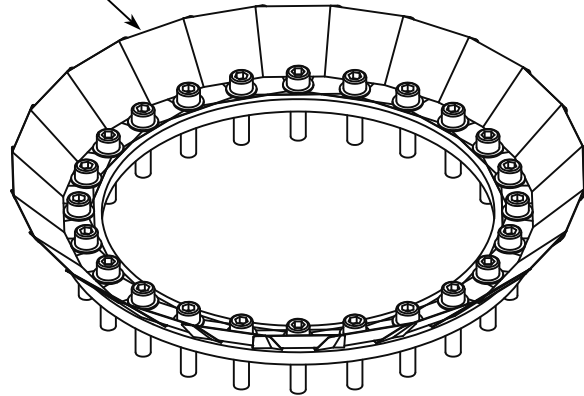
Rev. 1

12 / 17

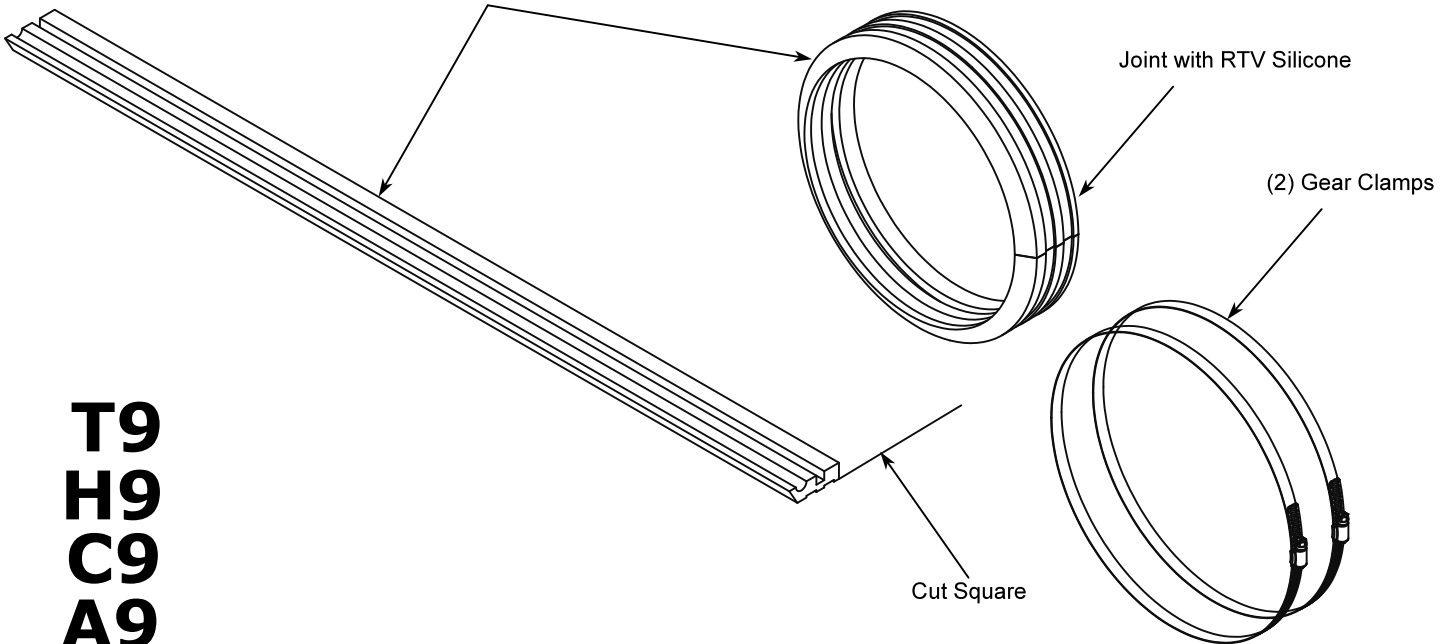
- 1. SHCS X 2
- 2. FW
- 3. COPPER SEAL PLATE
- 4. RING DRILL AND TAPPED



Inlet Pivot Seal



Discharge Port Seal



**T9
H9
C9
A9**

For diverter valve dimensions see A-3XXX
For design improvements through CFD calculations see
A-3900