



WWW.BAUMPNEUMATICS.CA

Specifications

Model ESR, BE, BE2 Large Feeder
Bare Shaft for Chain/ Shaftmount Drive

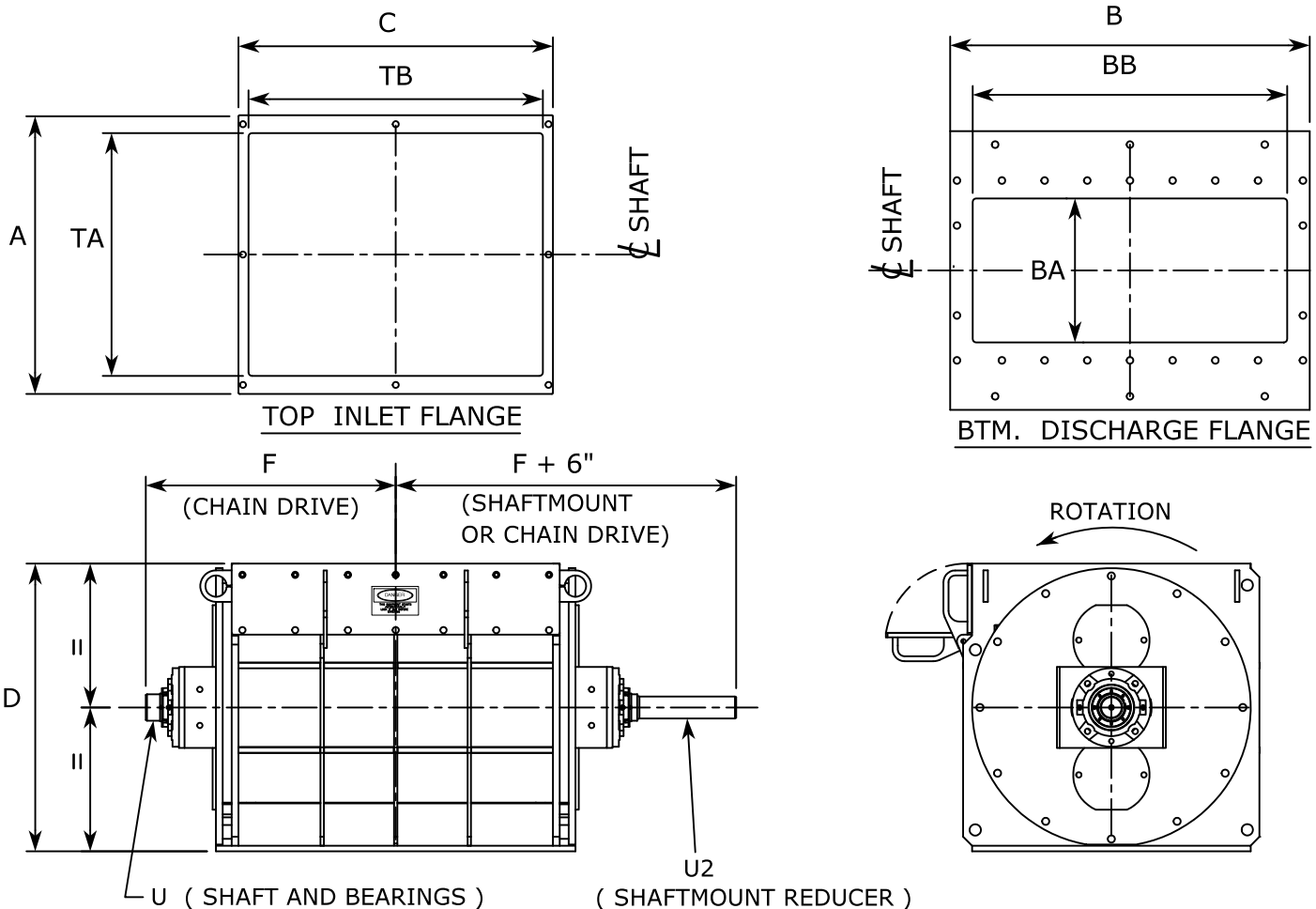
A-1410

Rev. 2

12 / 17

SIZE	A	B	C	D	F	U SHAFT	U1	TA	TB	BA	BB	WEIGHT LBS.	100 % CFR
35 x 45	44	55 1/2	48	44	43 3/8	4 7/16	3 15/16	36	42	24	47	8530	17.93
35 x 50	44	60 1/2	53	44	45 7/8	4 7/16	3 15/16	36	47	24	52	9330	20.14
35 x 55	44	65 1/2	58	44	48 3/8	4 7/16	3 15/16	36	52	24	57	9980	22.43
45 x 45	56	55 1/2	48	56	42	4 15/16	4 7/16	46	42	32	47	12660	31.53
45 x 50	56	60 1/2	53	56	45	4 15/16	4 7/16	46	47	32	52	13160	35.45
45 x 55	56	65 1/2	58	56	47	4 15/16	4 7/16	46	52	32	57	13960	39.42

Refer to the Baum Pneumatics maintenance manual for safety and additional information regarding ESR / BE / BE2 / ISOLATOR Feeders



FEATURES : Fabricated X-Heavy duty ribbed housing drop-thru rotary knife airlock, 8 - valve, Relief tip, Closed end rotor, Outboard bearing end bells, Brass sealing ring, P.T.T.E. packing, Lantern ring and upper handle cover plates, Removable taper adapter mounted bearings.

⚠ WARNING: Sharp Knives and rotating internal Rotor can cause severe personal injury. Follow Lock-Out / Tag-Out procedures before entering access door. Operate only with access door closed !

NOTES : Dual drive shafts provides for chain drive both ends or right hand shaftmount reducer drive with the same standard feeder. Dimensionally equivalent to industry standard feeders. For larger sizes see drawing a-1410. 304 / 316 S/ST rotor and barrel optional.

NOTE: Dimensions in inches, weight in lbs, varying slightly with production models. Request certified drawings of particular models or applications for exact dimensions.

For Feeder capacities see A-1100 to A-1110