



WWW.BAUMPNEUMATICS.CA

Specifications

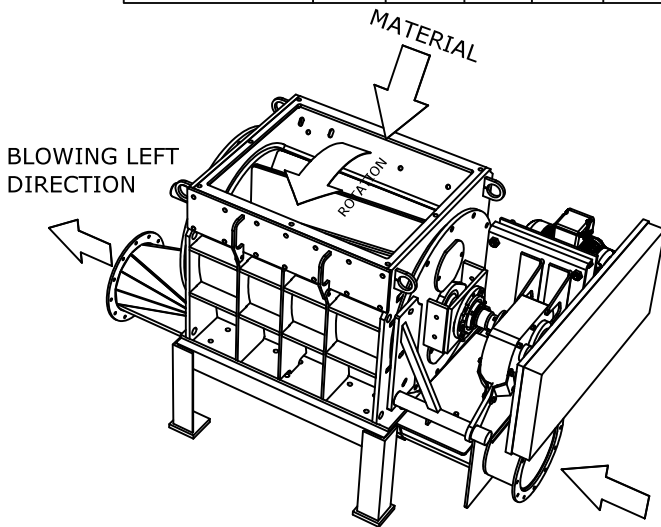
Model ESR, BE, BE2 Feeders Assembly
with Flat Tee-Injector

A-1000

Rev. 1

12 / 17

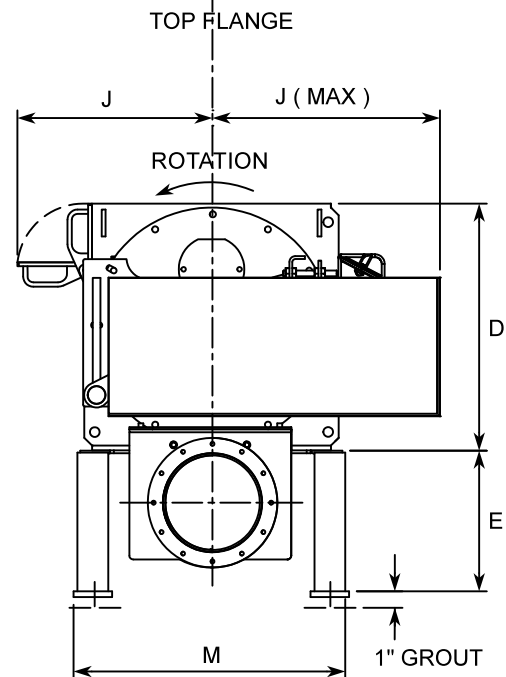
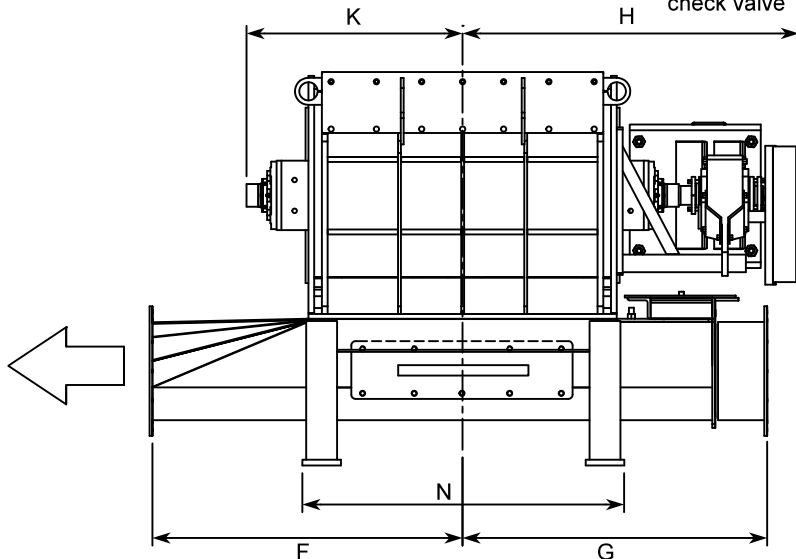
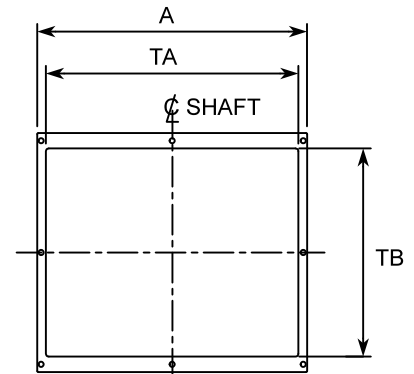
SIZE	TA	TB	A	C	D	E	F	G	H	J	K	M	N	WEIGHT LBS.
14 x 18 x 5	15	14	18	13	18	19	21	29	27	26	16	21	35	1200
20 x 20 x 6	21	16	25	6	26	19	30	29	34	28	20	27	37	2000
20 x 25 x 8	21	21	25	8	26	19	33	31	36	28	23	27	42	2380
20 x 30 x 10	21	27	25	9	26	19	36	34	39	28	25	27	47	2700
25 x 30 x 10	27	27	31	9	32	20	36	38	43	29	27	32	47	3520
25 x 35 x 12	27	31	31	10	32	20	39	40	45	29	29	32	52	3690
30 x 30 x 10	34	26	38	9	38	25	36	38	44	31	27	38	47	5200
30 x 35 x 12	34	31	38	10	38	25	39	40	47	31	29	38	52	5650
30 x 40 x 14	34	35	38	10	38	25	43	43	53	40	33	38	57	6200
30 x 45 x 16	34	40	38	11	38	25	48	50	55	40	36	38	62	7000
35 x 45 x 16	36	42	44	11	44	31	47	53	58	40	41	45	70	8800
35 x 50 x 18	36	47	44	13	44	31	52	56	61	40	43	45	75	9600
35 x 55 x 20	36	52	44	14	44	31	57	58	63	40	46	45	80	10600



NOTE: Dimensions in inches, weight in lbs, varying slightly with production models. Request certified drawings of particular models or applications for exact dimensions.

⚠ WARNING: Sharp knives and rotating internal rotor can cause severe personal injury. Follow Lock-Out / Tag-Out procedures before entering access door. Operate only with access door closed!

NOTE: Arrangement No. 2 shown with right hand drive left hand flat tee with check valve



Refer to the BAUM PNEUMATICS maintenance manual for additional information regarding ESR, BE, and BE2 Feeders