



WWW.BAUMPNEUMATICS.CA

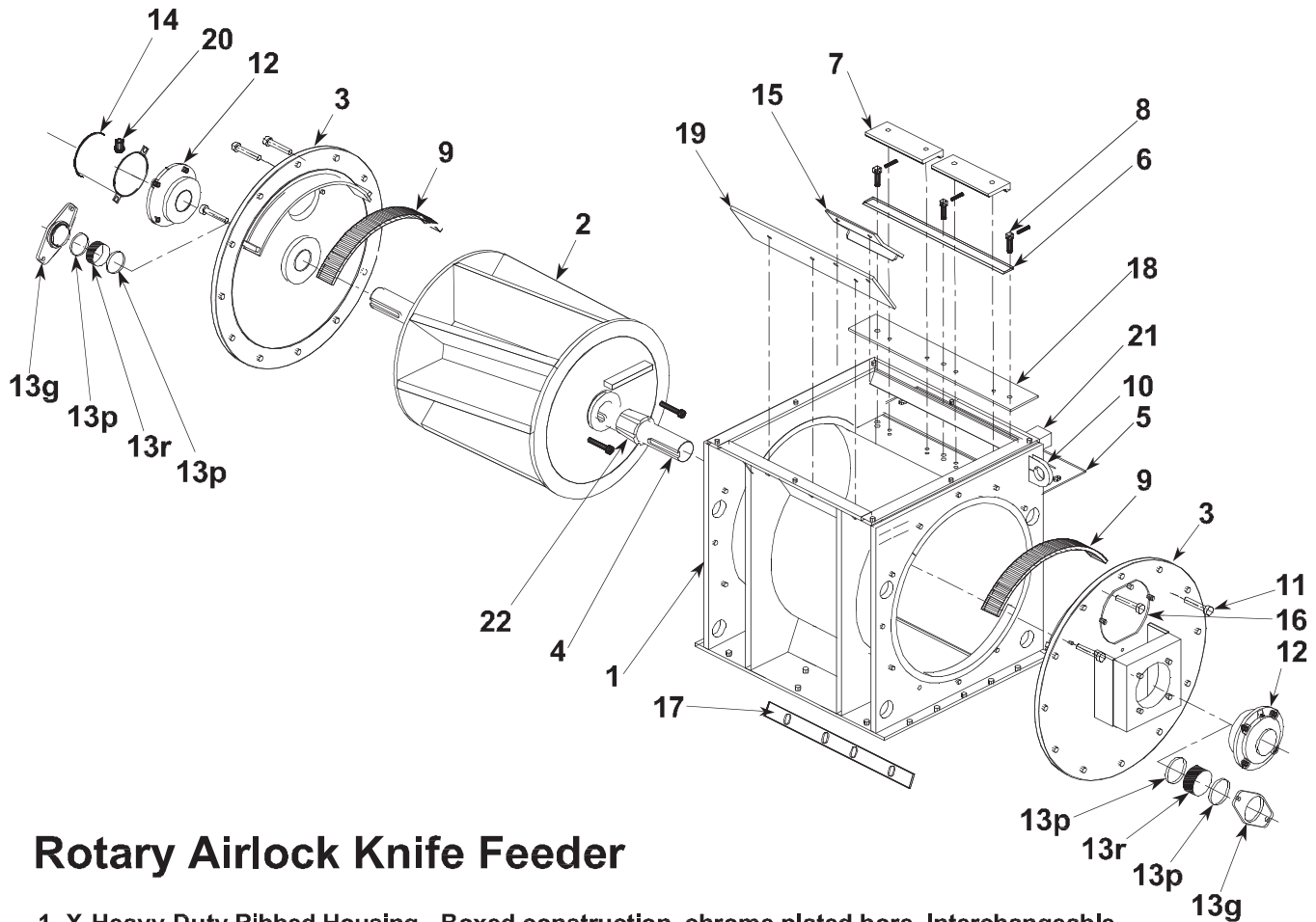
Repair Parts Sheet

Model ESR, BE, BE2
Exploded View

A-7040

Rev. 2

12 / 17



Rotary Airlock Knife Feeder

- | | |
|-----------------------------------|--|
| 1. X-Heavy Duty Ribbed Housing | Boxed construction, chrome plated bore, Interchangeable |
| 2. Rotor | Wear resistant; 25% heavier vanes, positive shearing. |
| 3. End Covers | Machined to fit housing: both ends outboard bearings. |
| 4. Shaft | Oversize, one piece; high strength steel. |
| 5. Top Knife Access door | Hinged with integral top knife cover; quick opening. |
| 6. Top Shear Knife | Special alloy steel, holds sharp edge, shears overs. |
| 7. Clamping Bars | For top knife; extra thick, multiple piece design. |
| 8. Screw Post Assy | STAINLESS STEEL; easy top knife adjustment. |
| 9. Brass Sealing Rings | 3/4" (19 mm) thick; better sealing. |
| 10. Lifting Lugs | Assists handling during installation. |
| 11. Adjusting Screws | (6) STAINLESS STEEL, for sealing rings.(item 9) |
| 12. Bearings | Outboard spherical roller brgs: TAPER ADAPTER mtg. |
| 13. Shaft Seal Glands | 13g : Gland, 13p : Packing PTFE, 13r : * Lantern Rings |
| *14. Optional Shaft Cover | Doubles as speed sensor mount. |
| *15. Optional Anti-Dusting Baffle | Redirects pressurized air; allows for improved filling of rotor pockets. |
| *16. Optional Inspection Covers | Easier inspection, brass seal adjustment and cleanout. |
| *17. Optional Bottom Wear bar | Reset four times, protects housing bore. |
| *18. Optional Sub Knife Wear bar | Located under top knife, protect housing bore. |
| *19. Optional Impact Plate | Protects feeder housing infeed chuting plate from wear. |
| *20. Optional Motion Sensor | Detects stoppage |
| *21. Optional Safety Switch | Recommended interlock with drive (supplied by customer) |
| 22. Taper-lock Bushings | Oversized to reduce possibility of breakage. |