



WWW.BAUMPNEUMATICS.CA

# Specifications

Model ESR, BE, BE2 Feeders Coupling  
Drive Arrangement - Infeed

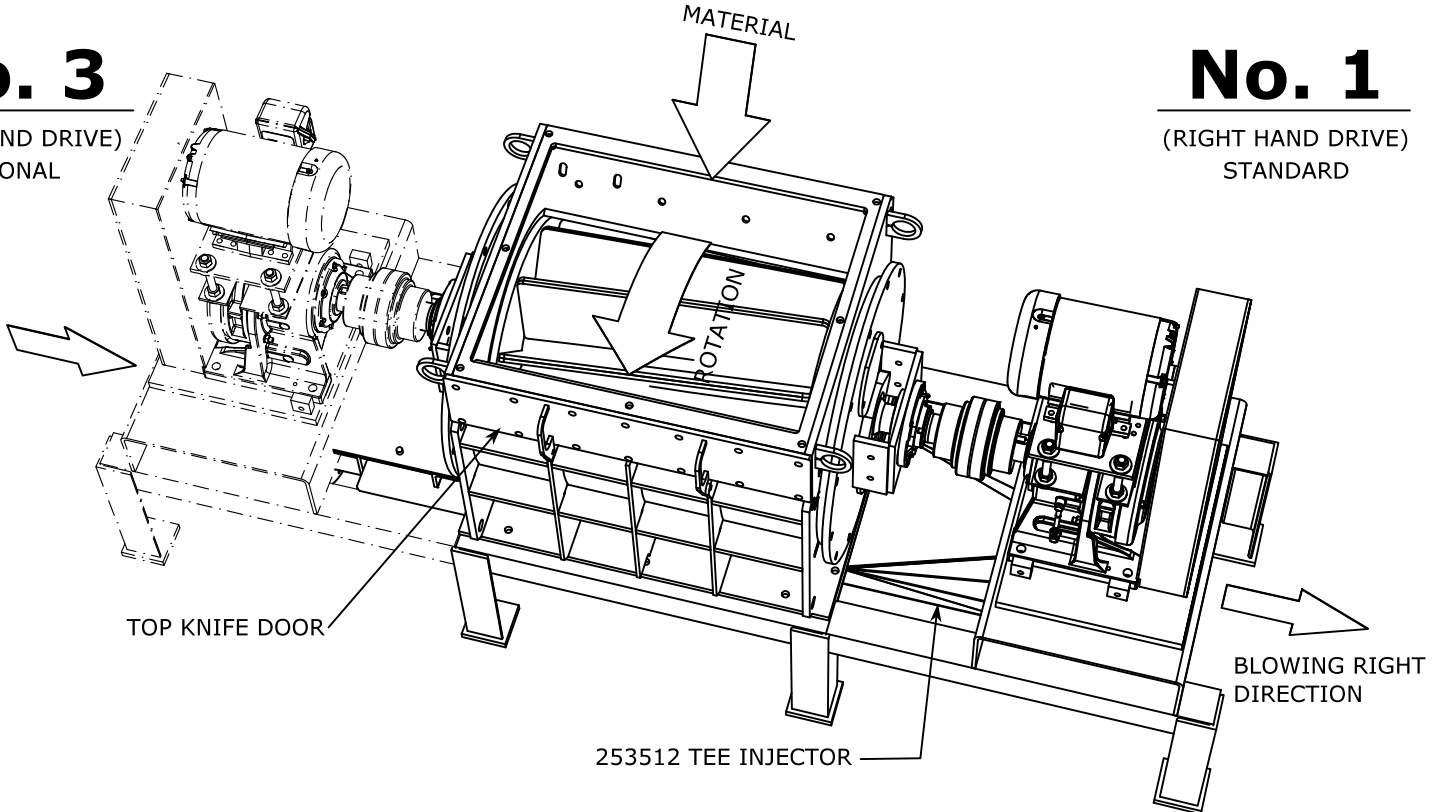
A-1260  
P

Rev. 2

12 / 17

## No. 3

(LEFT HAND DRIVE)  
OPTIONAL

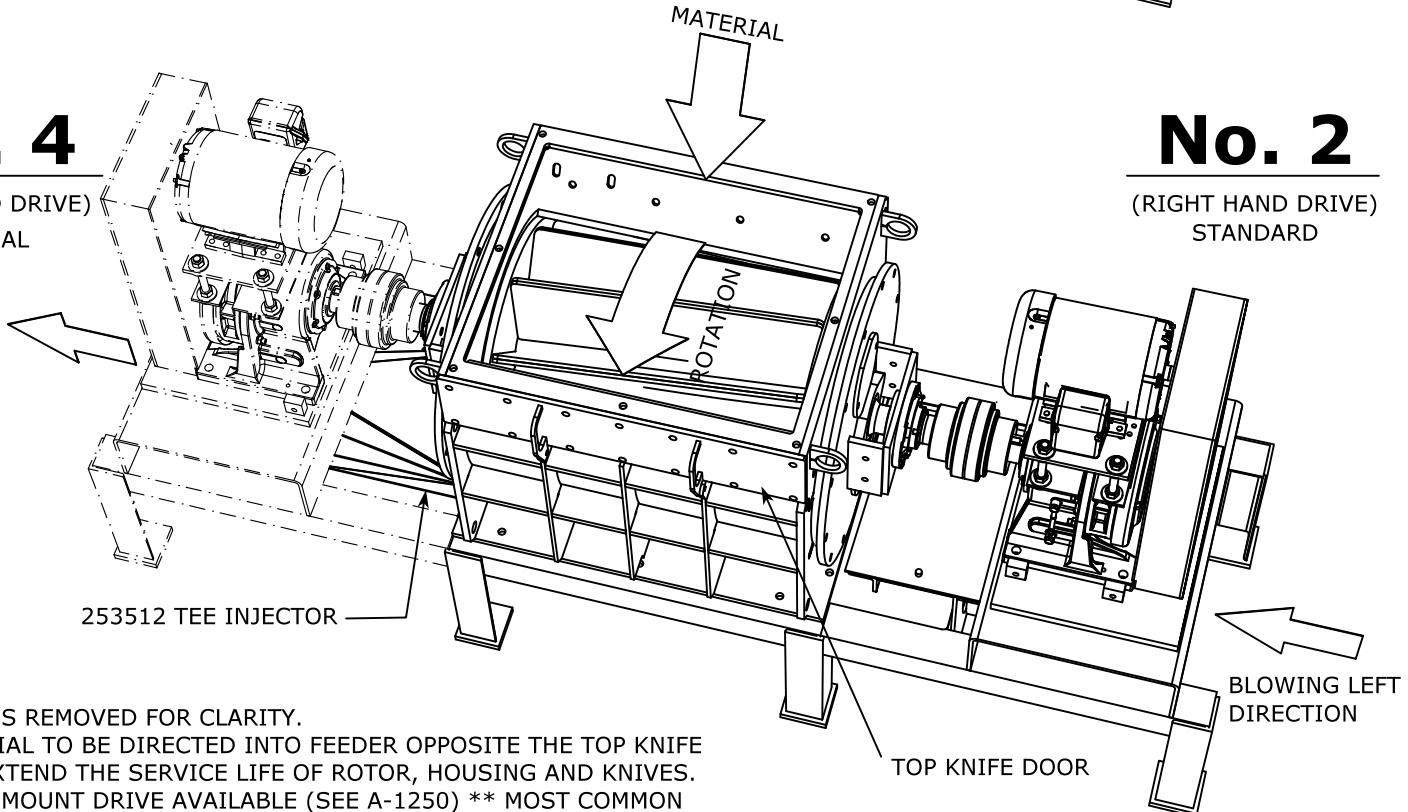


## No. 1

(RIGHT HAND DRIVE)  
STANDARD

## No. 4

(LEFT HAND DRIVE)  
OPTIONAL



## No. 2

(RIGHT HAND DRIVE)  
STANDARD

- GUARDS REMOVED FOR CLARITY.
- MATERIAL TO BE DIRECTED INTO FEEDER OPPOSITE THE TOP KNIFE TO EXTEND THE SERVICE LIFE OF ROTOR, HOUSING AND KNIVES.
- SHAFT MOUNT DRIVE AVAILABLE (SEE A-1250) \*\* MOST COMMON
- CHAIN DRIVE AVAILABLE (SEE A-1200)