



WWW.BAUMPNEUMATICS.CA

Specifications

Model ESR, BE, BE2 Feeders Shaftmount
Drive Arrangement - Infeed

A-1250
P

Rev. 1

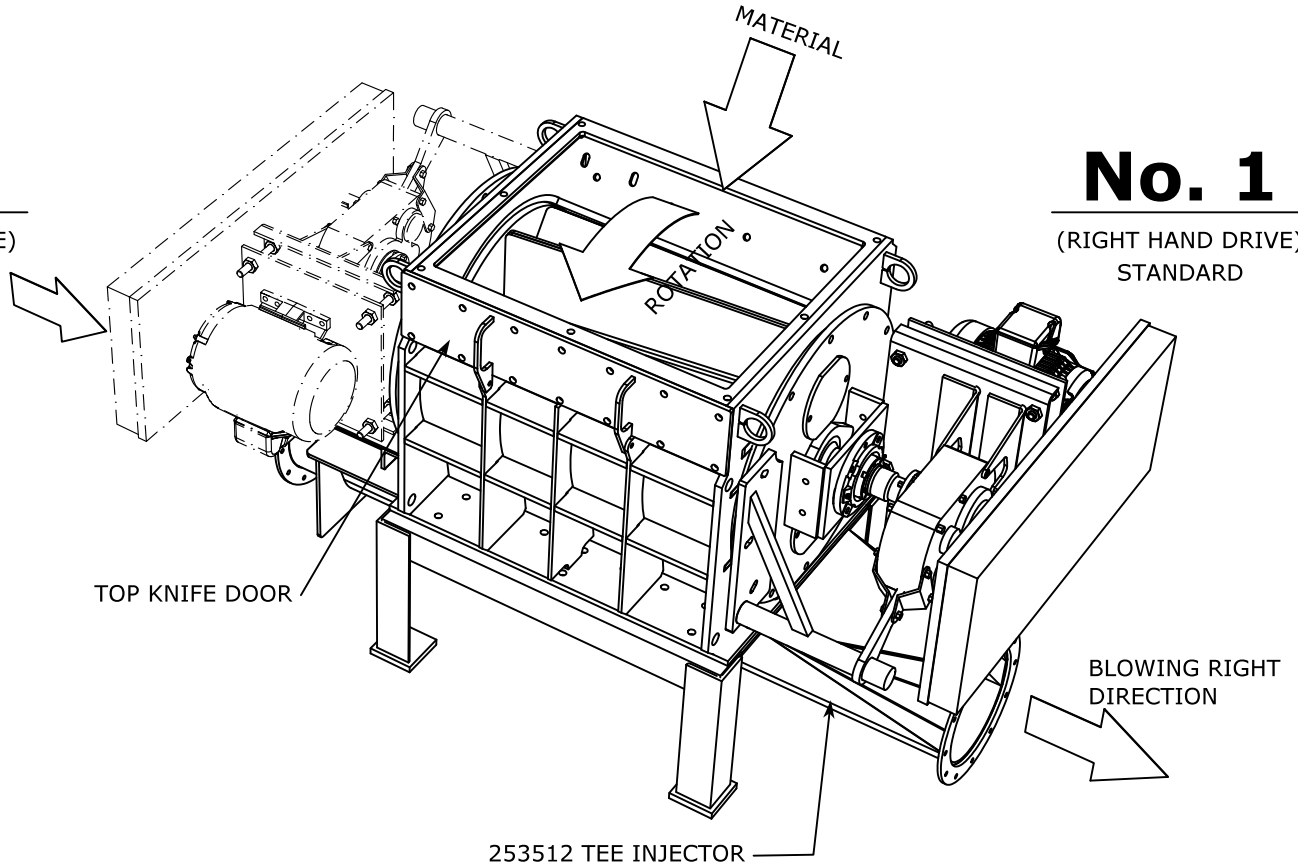
12 / 17

No. 3

(LEFT HAND DRIVE)
OPTIONAL

No. 1

(RIGHT HAND DRIVE)
STANDARD

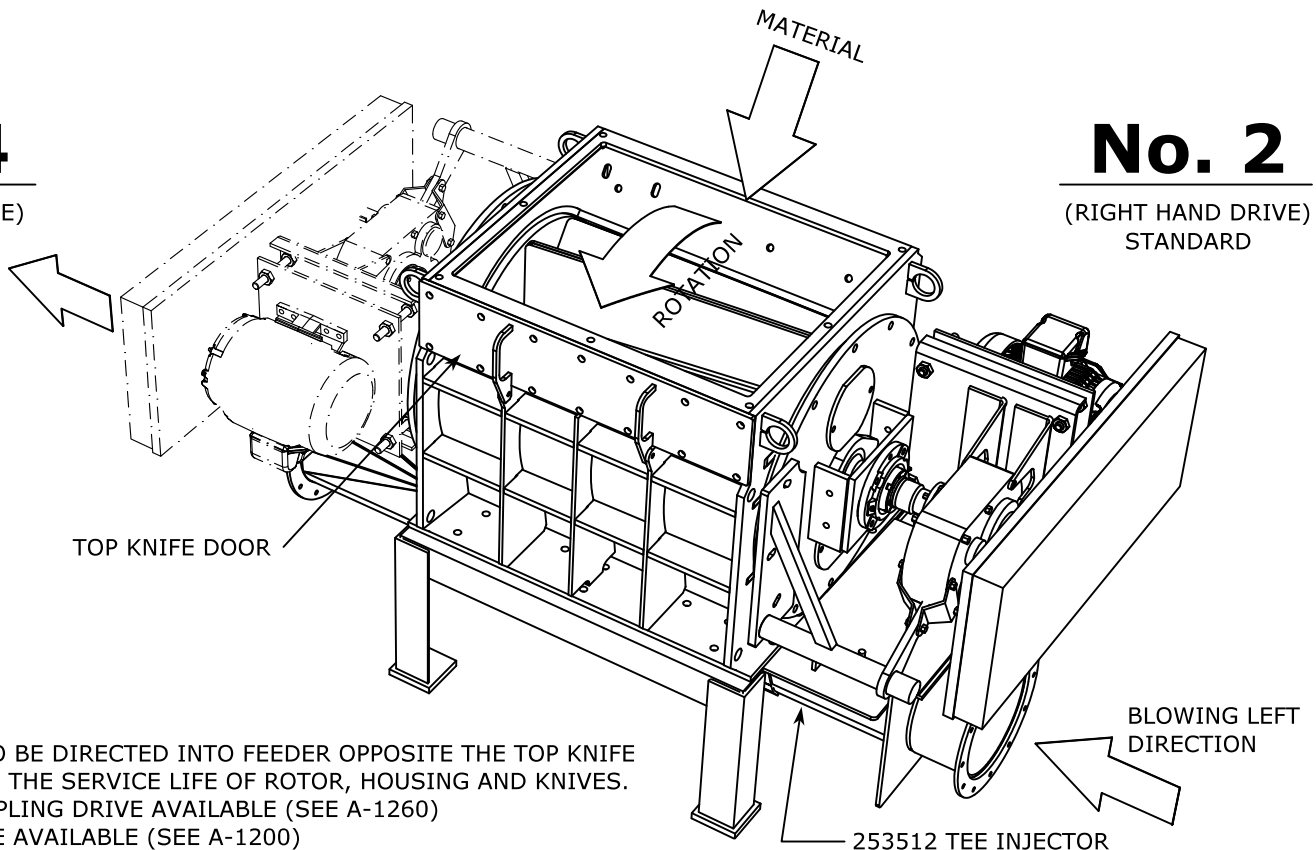


No. 4

(LEFT HAND DRIVE)
OPTIONAL

No. 2

(RIGHT HAND DRIVE)
STANDARD



- MATERIAL TO BE DIRECTED INTO FEEDER OPPOSITE THE TOP KNIFE TO EXTEND THE SERVICE LIFE OF ROTOR, HOUSING AND KNIVES.
- DIRECT COUPLING DRIVE AVAILABLE (SEE A-1260)
- CHAIN DRIVE AVAILABLE (SEE A-1200)
- ARRANGEMENTS No. 1A, 2A, 3A, AND 4A ARE THE SAME AS No. 1, 2, 3, AND 4 RESPECTIVELY EXCEPT MOTOR-REDUCER ASSY c/w TORQUE ARM ARRANGEMENT IS ROTATED 180° ABOUT ROTOR SHAFT AXIS.