



WWW.BAUMPNEUMATICS.CA

# Specifications

Model ESR, BE, BE2 Feeders Chain Drive  
Arrangement - Infeed

A-1200  
P

Rev. 3

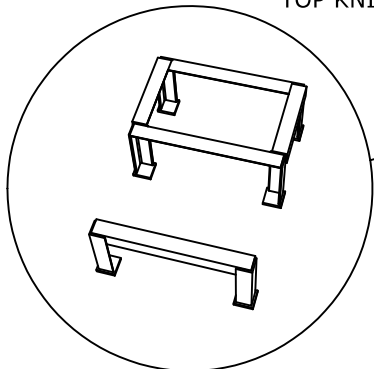
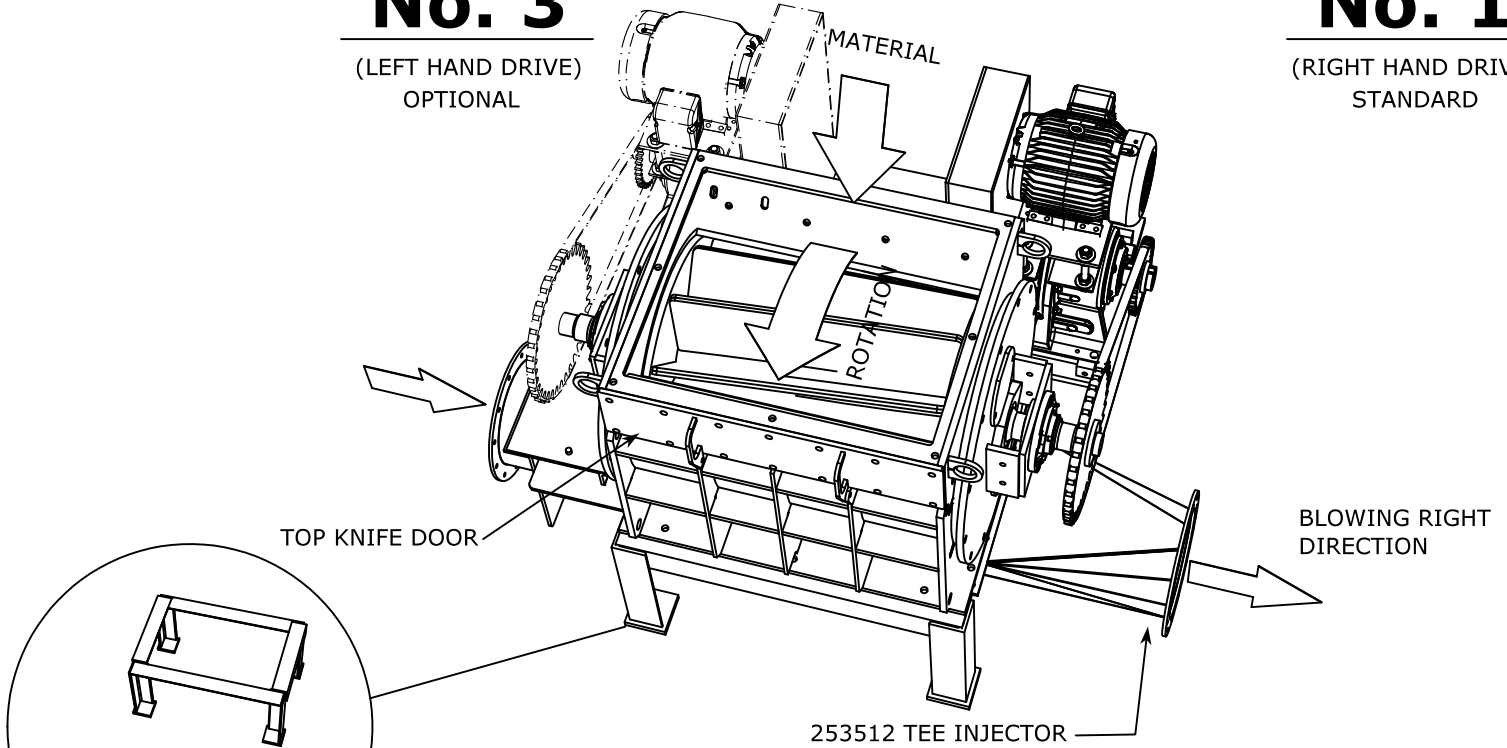
12 / 17

## No. 3

(LEFT HAND DRIVE)  
OPTIONAL

## No. 1

(RIGHT HAND DRIVE)  
STANDARD



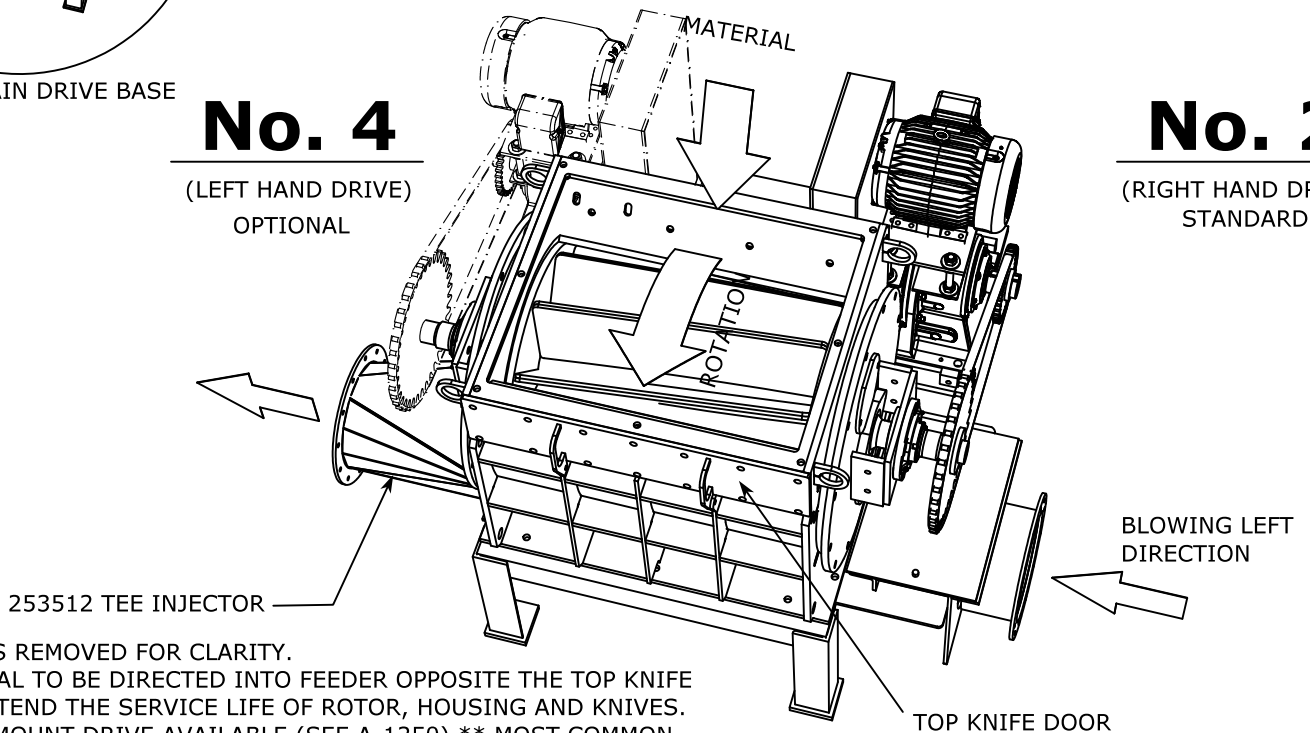
6 LEG CHAIN DRIVE BASE

## No. 4

(LEFT HAND DRIVE)  
OPTIONAL

## No. 2

(RIGHT HAND DRIVE)  
STANDARD



- GUARDS REMOVED FOR CLARITY.
- MATERIAL TO BE DIRECTED INTO FEEDER OPPOSITE THE TOP KNIFE TO EXTEND THE SERVICE LIFE OF ROTOR, HOUSING AND KNIVES.
- SHAFT MOUNT DRIVE AVAILABLE (SEE A-1250) \*\* MOST COMMON
- DIRECT COUPLED DRIVE AVAILABLE (SEE A-1260)
- ARRANGEMENTS No. 1A, 2A, 3A, AND 4A ARE THE SAME AS No. 1, 2, 3, AND 4 RESPECTIVELY EXCEPT MOTOR-REDUCER ASSY IS REPOSITIONED 180° ABOUT ROTOR SHAFT AXIS.