



WWW.BAUMPNEUMATICS.CA

Features

General Arrangement
Feeding Apparatus

A-002

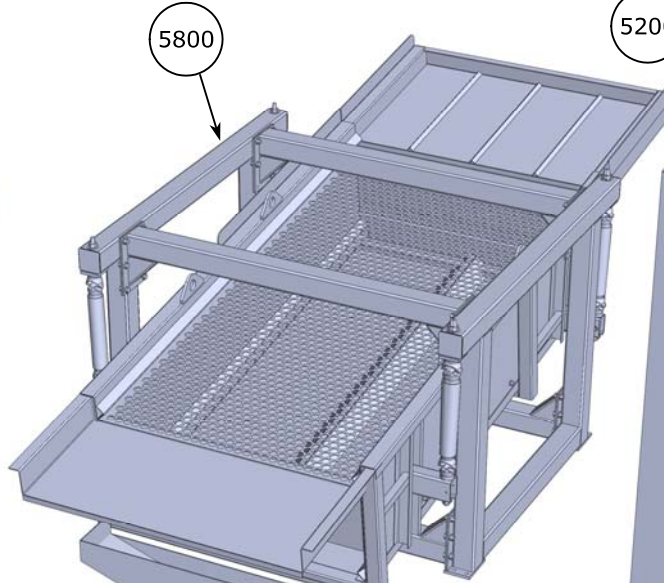
Rev. 1

11 / 17

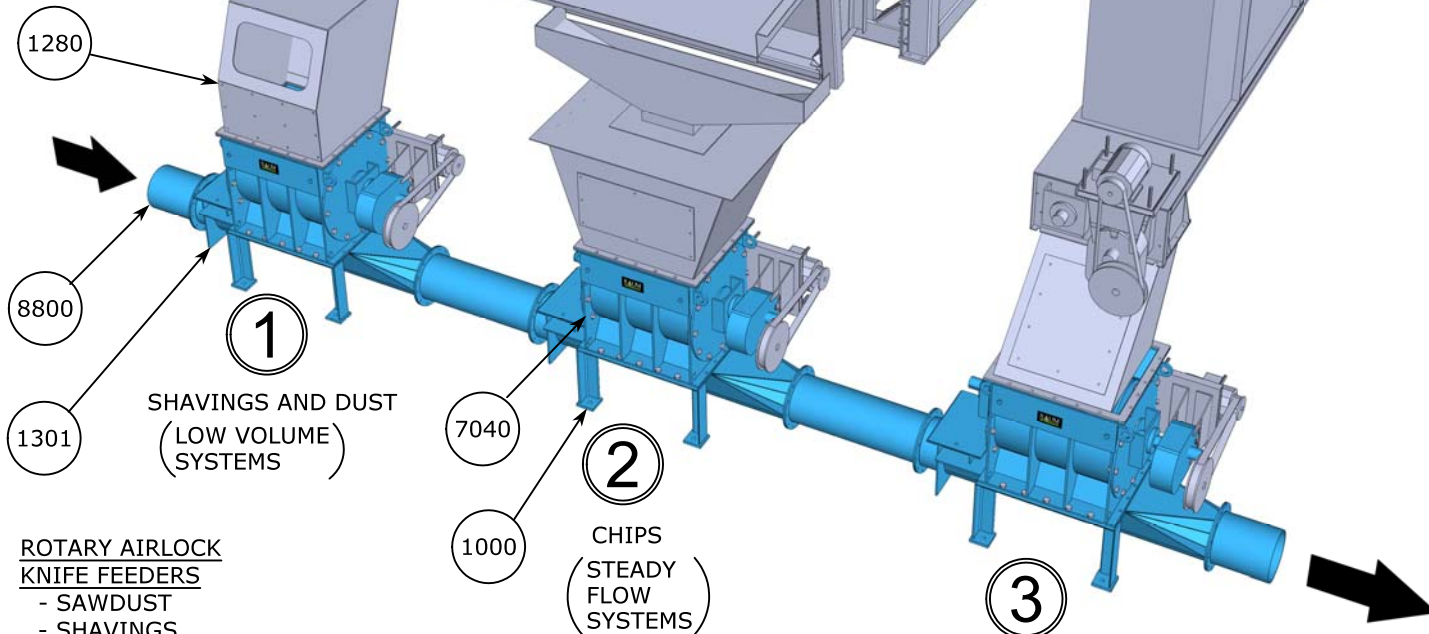
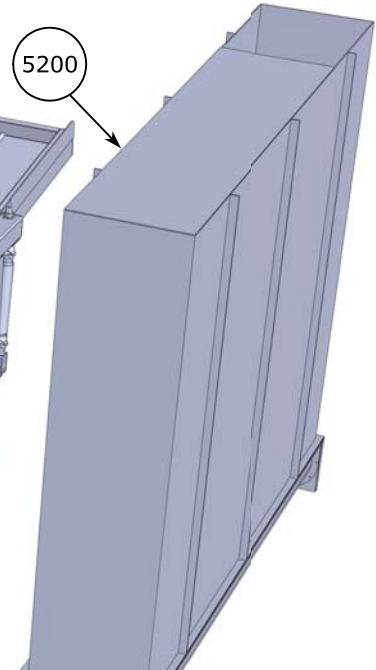
CYCLONE



SHAKER SCREEN



SURGE BIN



SHAVINGS AND DUST
(LOW VOLUME SYSTEMS)

CHIPS
(STEADY FLOW SYSTEMS)

CHIPS
SAWDUST
SHAVINGS
HOGGED BARK
(HIGH VOLUME SYSTEMS)

ROTARY AIRLOCK KNIFE FEEDERS

- SAWDUST
- SHAVINGS
- BARK (HOGGED)
- CHIPS
- SANDERDUST
- OSB DRY WASTE
- WOOD PELLETS
- PLASTIC PELLETS
- DRYER SYSTEMS
- PULP
- GROUND RUBBER
- ALFALFA
- ETC.

- 1000 - STAND 4 / 6 LEGS
- 1000 - GEAR REDUCER
- 1280 - INFEEED CHUTE
- 1301 - TEE INJECTOR
- 5200 - SURGE BIN
- 5800 - SHAKER SCREEN
- 7040 - FEEDER
- 7250 - MOTOR TEFC PREMIUM
- 8800 - AIR PIPE TO FEEDER(S)