



WWW.BAUMPNEUMATICS.CA

Features

General Arrangement
Feeding Apparatus

A-002
P

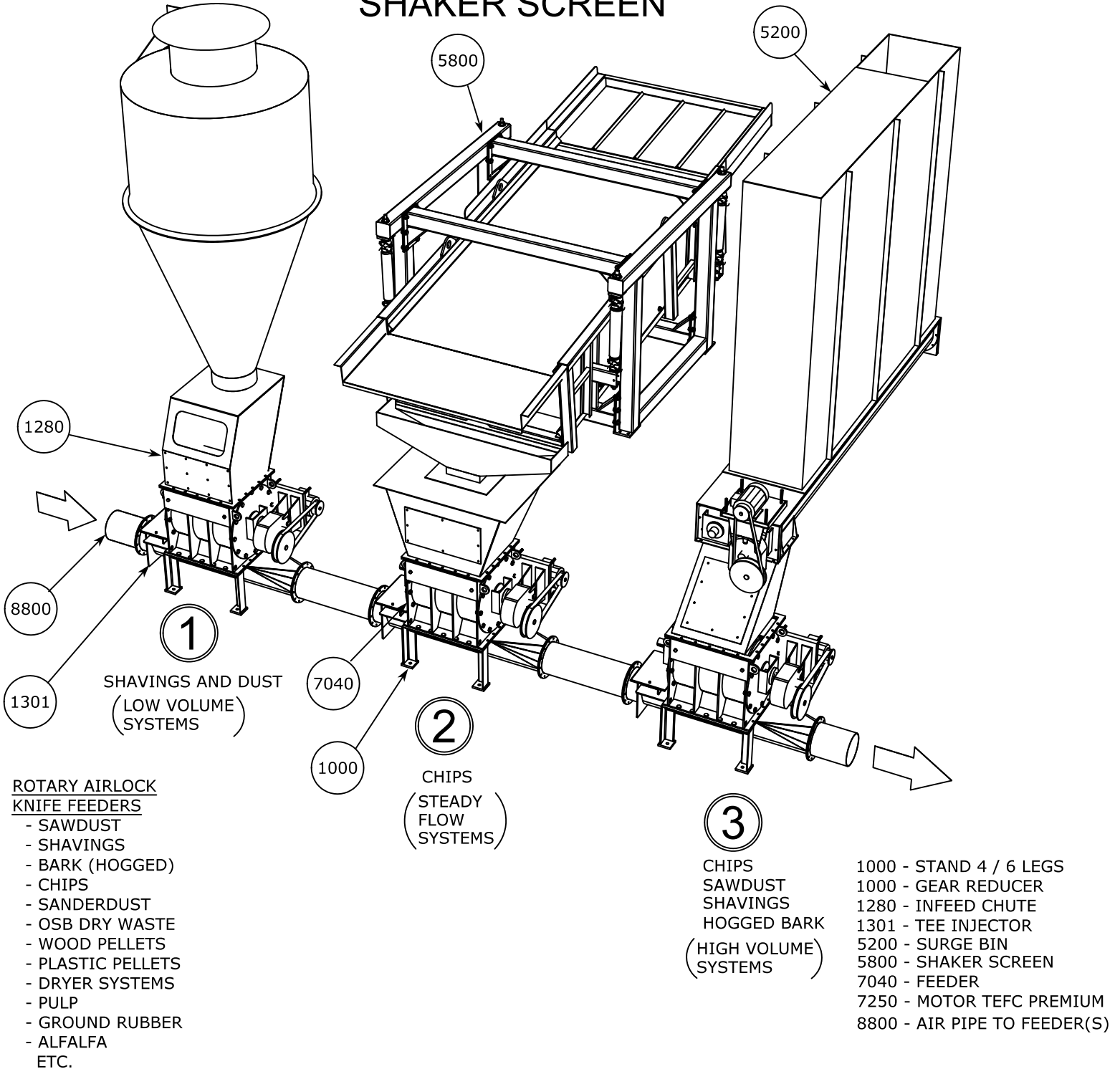
Rev. 1

11 / 17

CYCLONE

SHAKER SCREEN

SURGE BIN



ROTARY AIRLOCK KNIFE FEEDERS

- SAWDUST
- SHAVINGS
- BARK (HOGGED)
- CHIPS
- SANDERDUST
- OSB DRY WASTE
- WOOD PELLETS
- PLASTIC PELLETS
- DRYER SYSTEMS
- PULP
- GROUND RUBBER
- ALFALFA
- ETC.