

BAUM

PNEUMATICS INC.

Specifications

Pipe Spans

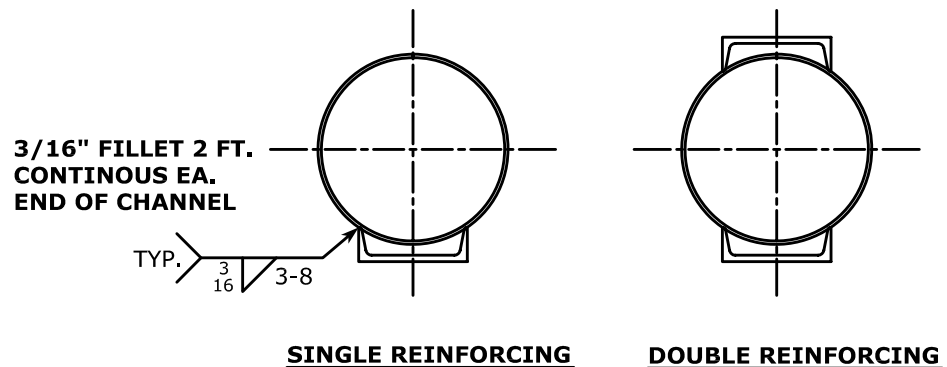
A-9700

Rev. 0

04 / 03

PIPE O.D.	WALL THK.	*NO REINF. SPAN (FT.)	SINGLE REINF.		DOUBLE REINF.	
			REINF.	SPAN (FT.)	REINF.	SPAN (FT.)
6 5/8	3/16	41'-48'	21'-C3X4.1	56'	47'-C3X4.1	69'
8 5/8	3/16	48'-55'	30'-C3X4.1	66'	52'-C3X4.1	77'
10 3/4	3/16	55'-59'	31'-C3X5.0	71'	54'-C3X5.0	81'
	1/4	57'-64'				
12 3/4	3/16	60'-61'	31'-C4X5.4	74'	56'-C4X5.4	85'
	1/4	62'-66'				
14	3/16	62'	32'-C5X6.7	75'	60'-C5X6.7	89'
	1/4	65'-68'				
16	3/16	64'	35'-C6X8.2	77'	66'-C6X8.2	94'
	1/4	68'-70'				
18	3/16	68'	36'-C7X9.8	82'	72'-C7X9.8	100'
	1/4	72'				
20	3/16	70'	36'-C8X11.5	85'	70'-C8X11.5	103'
	1/4	73'				
22	1/4	74'	38'-C10X15.3	89'	77'-C10X15.3	110'
24	1/4	75'	40'-C12X20.7	90'	78'-C12X20.7	110'
26	1/4	76'	40'-C12X20.7	90'	78'-C12X20.7	110'

* REINFORCEMENT AT SUPPORT REQUIRED.



DESIGN BASED ON THE FOLLOWING MAX. LOADING CONDITIONS, AT 30 FEET ELEVATION.

1. NORMAL OPERATION OF SYSTEM W/ PIPE 2/3 FULL OF CHIPS AND 100 MPH WIND.
- OR
2. CLEANOUT W/ PIPE 2/3 FULL OF WATER AND 60 MPH WIND

NOTE:

PIPE SECTIONS TO BE CONNECTED BY FULL PENETRATION BUTT WELDS. FLANGE PIPE ONLY NEAR SUPPORTS W/ NO FLANGES IN REINF. AREA. EXTEND ONE REINF. 2X PIPE DIA. EITHER END ON DOUBLE REINF. SPAN.