



WWW.BAUMPNEUMATICS.CA

Features

Rotary Disc Screen and Welded Shafts Exploded View

A-5550

Rev. 2

11 / 17

Rotary Disc Screen

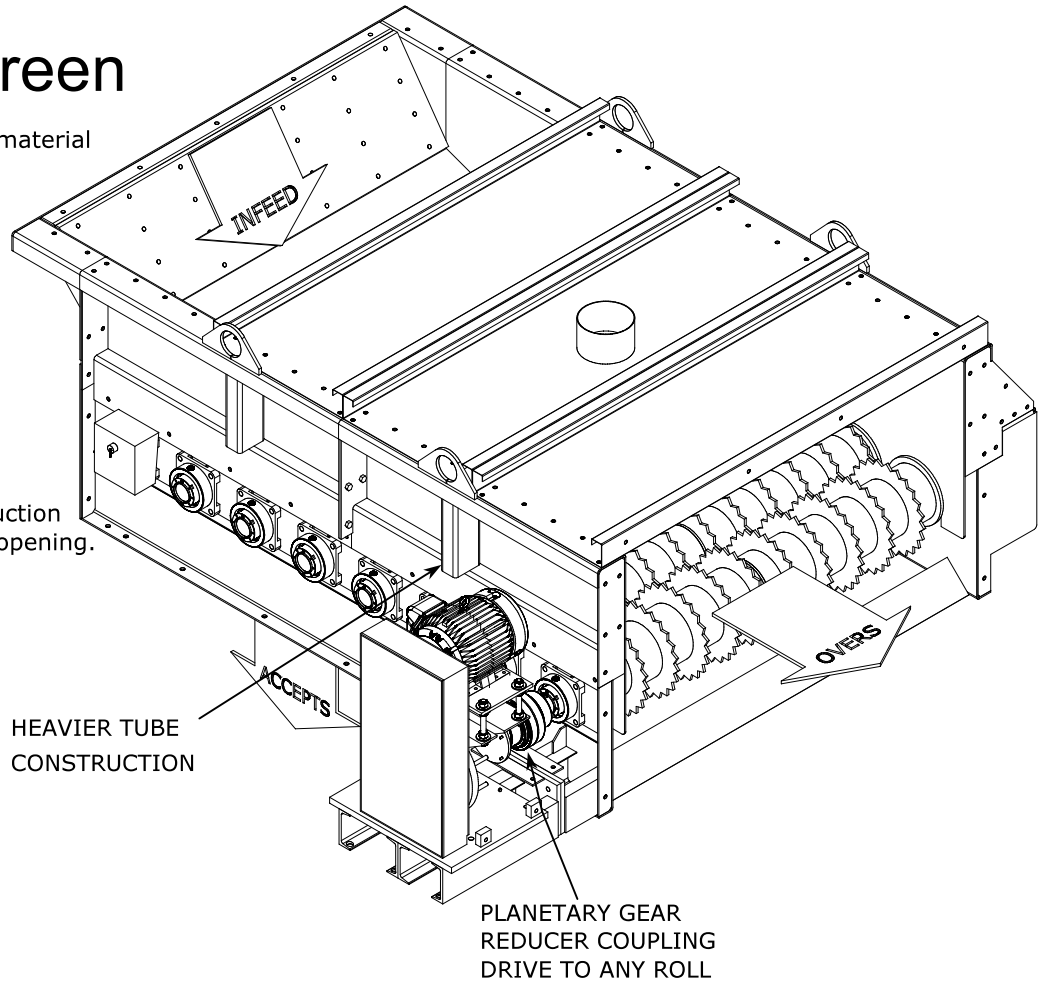
- Quantity of shafts disc shape, disc material vary with each application.
- Disc thickness 3/8" (standard)
- All shafts are the same. any shaft can be the drive shaft.

- * Hi volume classifier and conveyor
- * Utilized in : Sawmills
 - Board Plants
 - Cogen Plants
 - Pulp Mills
 - Recycling Plants
 - Bark Logging Systems

- * Shaft seals and double wall construction help eliminate all spillage at shaft opening.

Options:

- * AR discs and wall liners
- * Timing belt drive
- * Removable and Replaceable discs
- * Zero speed switch
- * Emergency pull cord switch
- * Anti-Jam trip current relay



Welded Shafts

