



WWW.BAUMPNEUMATICS.CA

Features

Rotary Disc Screen and Shafts Exploded View

A-5520

Rev. 2

11 / 17

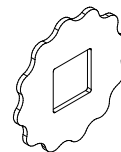
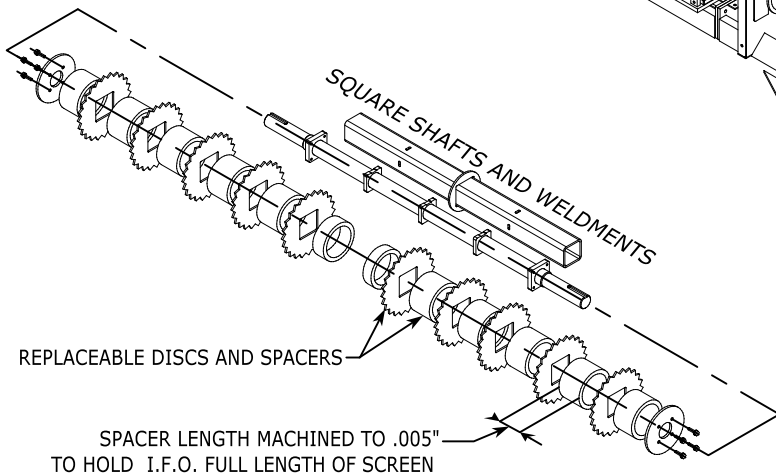
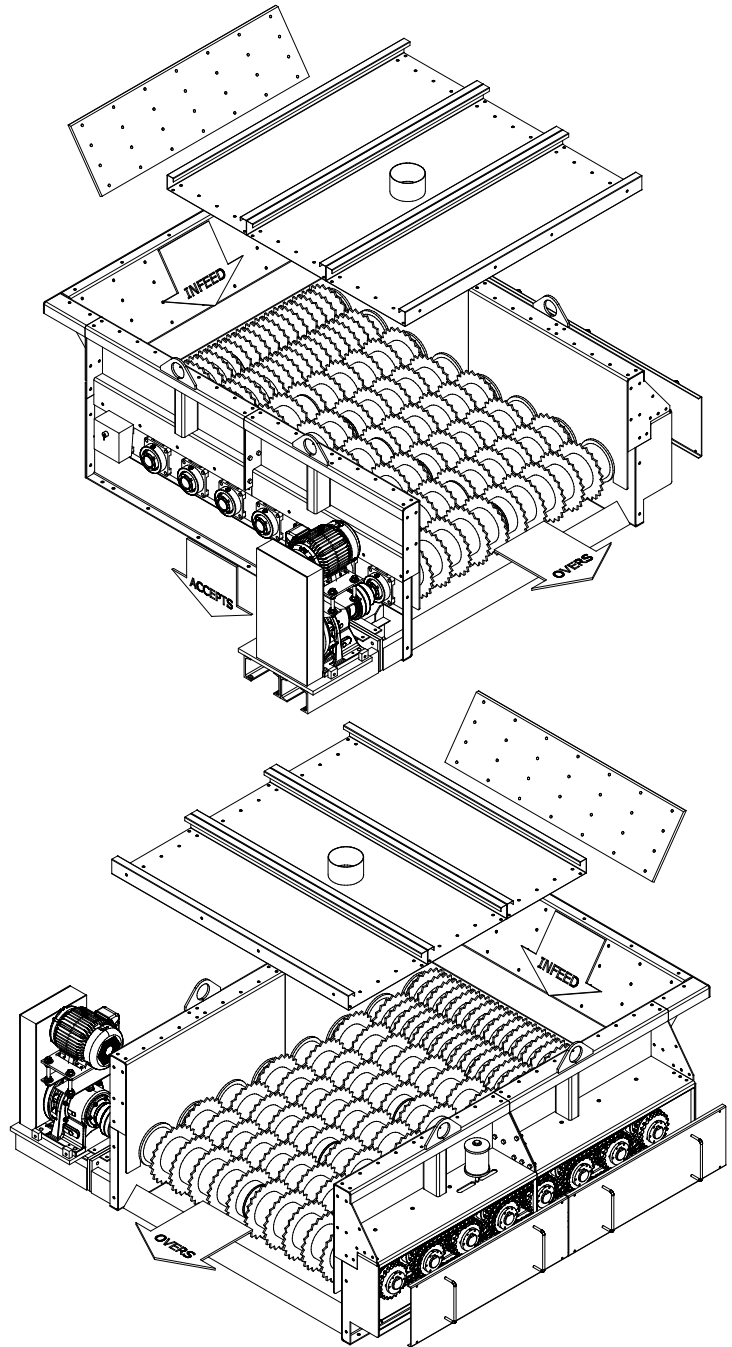
Rotary Disc Screen

- PROFILE, MATERIALS, VARY WITH APPLICATION.
- DISC THICKNESS 3/8" (STANDARD)
- ANY SHAFT CAN BE THE DRIVE (AT TIME OF ORDER).

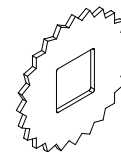
- * HI VOLUME CLASSIFIER AND CONVEYOR
- * UTILIZED IN: SAWMILLS
BOARD PLANTS
CO-GEN PLANTS
PULPMILLS
RECYCLE PLANTS
DE-BARKING SYSTEMS
- * SHAFT SEALS AND DOUBLE WALL CONSTRUCTION HELP ELIMINATE SPILLAGE AT SHAFT OPENINGS.

Options:

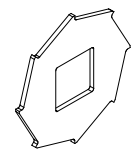
- * AR DISCS AND INFEED LINERS
- * TIMING BELT DRIVE
- * REMOVABLE OR WELDED DISCS
- * ZERO SPEED AT LAST SHAFT
- * EMERGENCY PULL CORD SWITCH
- * ANTI STALL-JAM CURRENT MONITORING
- * DUST COVERS
- * (2) PIECE UPPER SIDE PANELS
- * OILER FOR EXTENDED CHAIN LIFE
- * CUSTOM WIDTH, OR SHAFT QUANTITIES



SCALLOP- HOG BARK



STAR- CHIPS



SAW- SAWDUST

400 BHN AVAILABLE