



WWW.BAUMPNEUMATICS.CA

Specifications

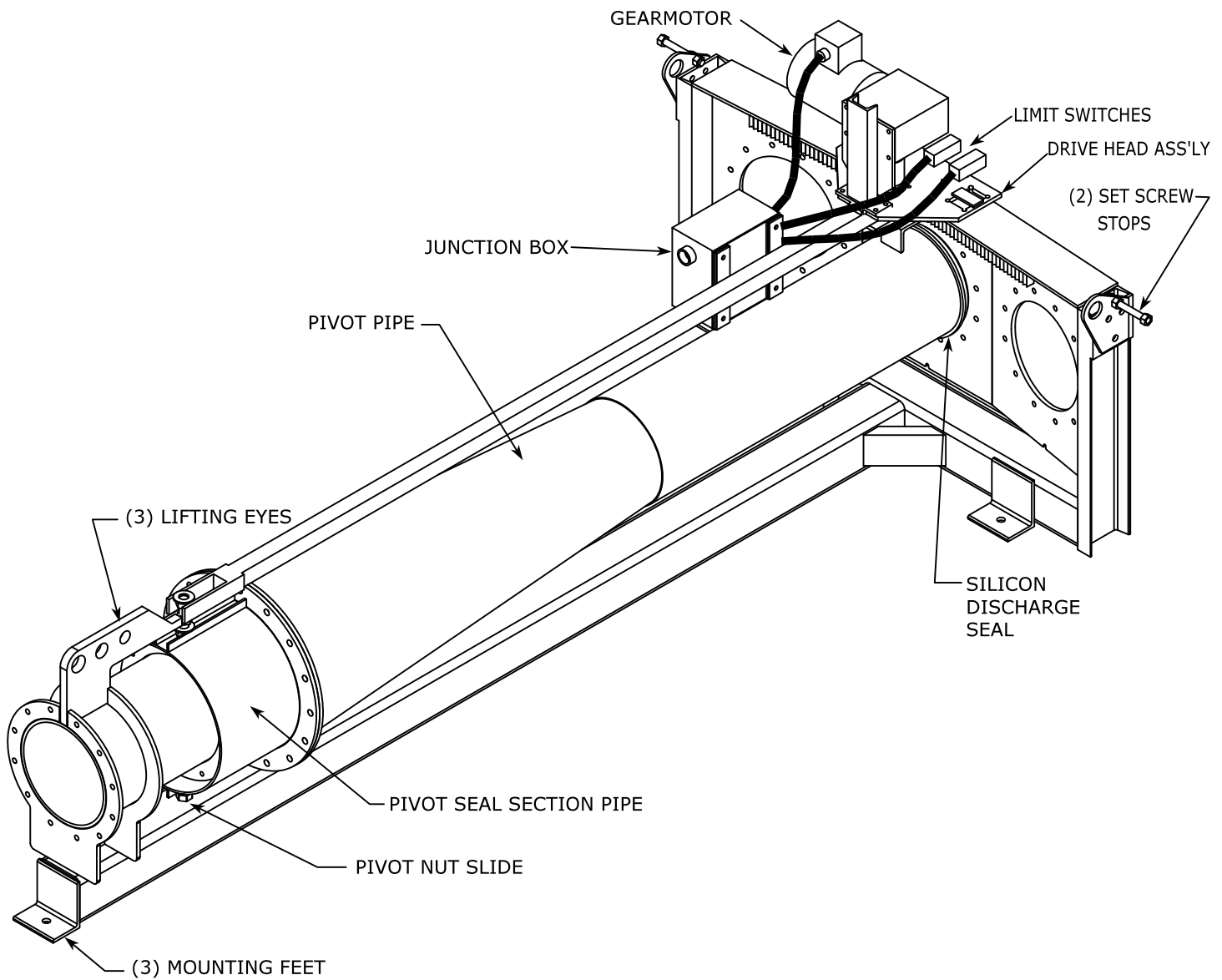
Diverter Valve
Model A9 3Way Gear Motor Operated

A-3760

Rev. 0

11 / 17

A9



For design improvements through
CFD calculations see A-3900