



WWW.BAUMPNEUMATICS.CA

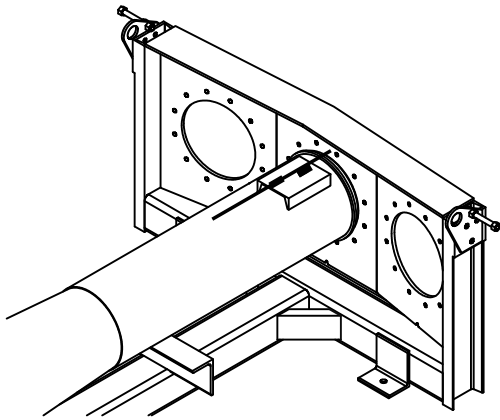
Specifications

Diverter Valve
Drive Versions

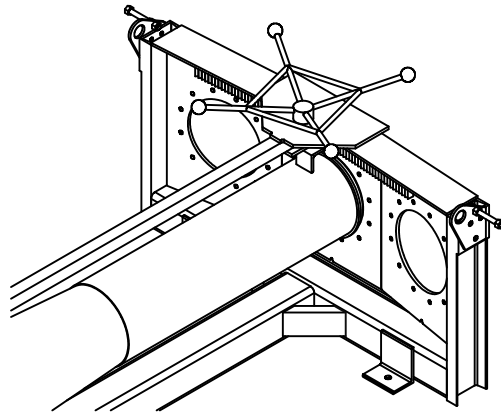
A-3030

Rev. 0

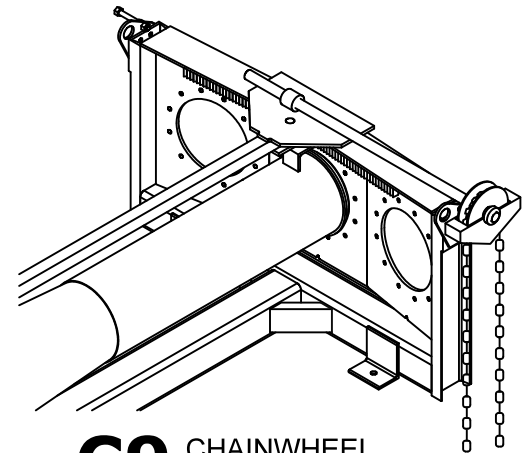
11 / 17



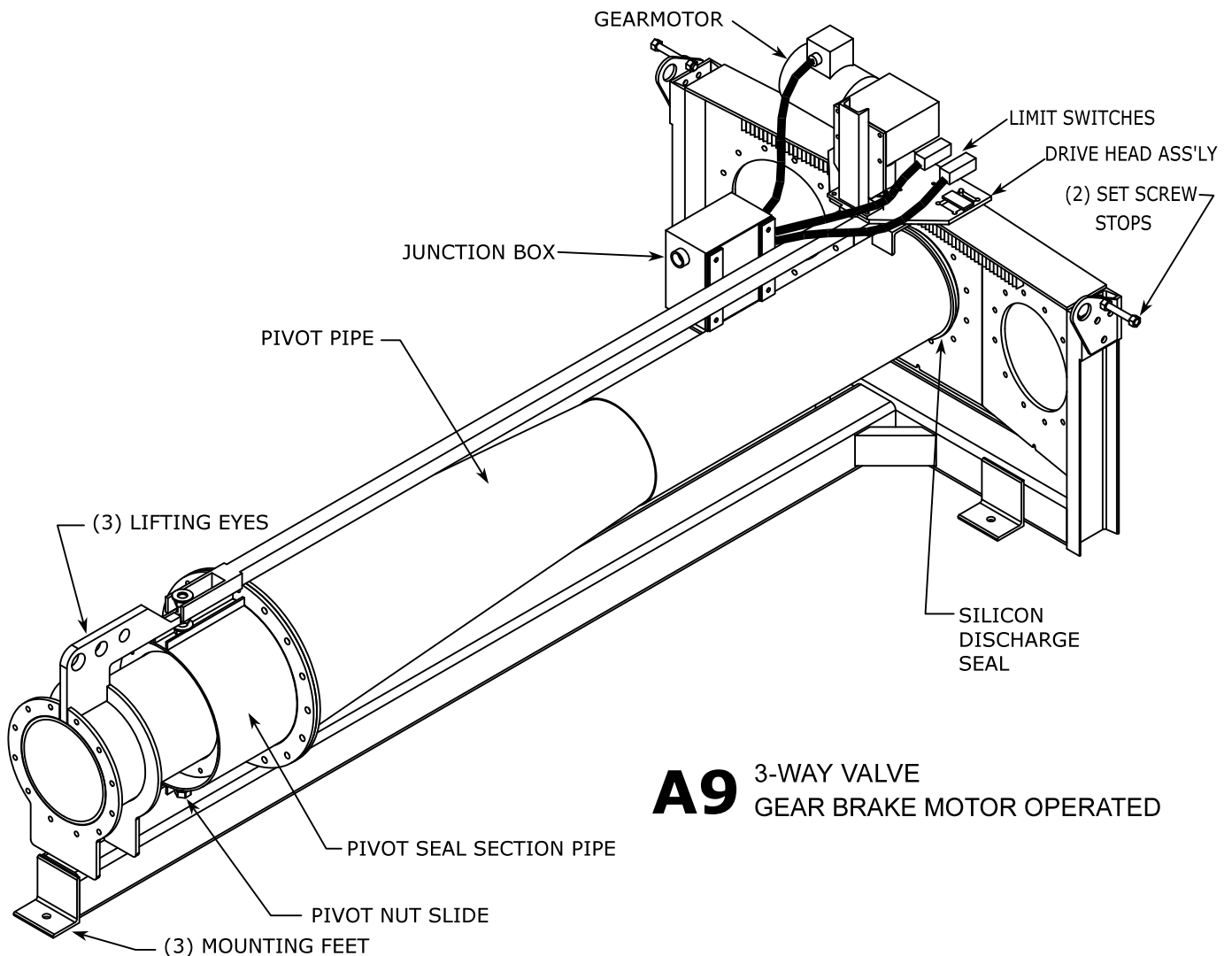
T9 TOGGLE CLAMP
(ECONOMY)



H9 HANDWHEEL



C9 CHAINWHEEL



A9 3-WAY VALVE
GEAR BRAKE MOTOR OPERATED

For design improvements through
CFD calculations see A-3900

** Offset is for occasional use only.