



WWW.BAUMPNEUMATICS.CA

Specifications

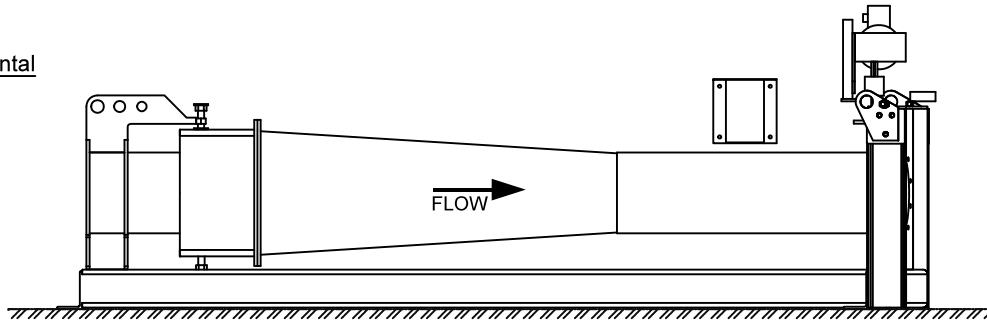
Diverter Valve
All Mounting Positions

A-3020

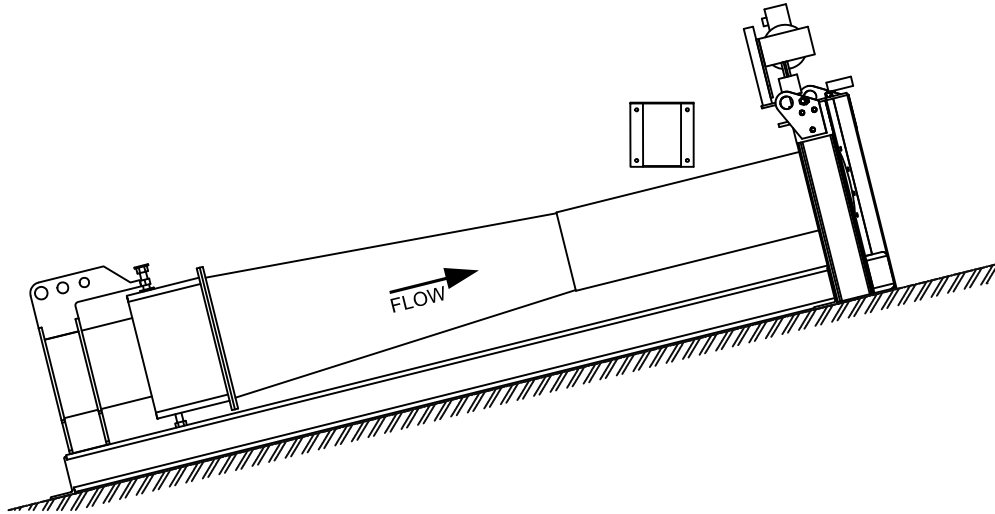
Rev. 0

11 / 17

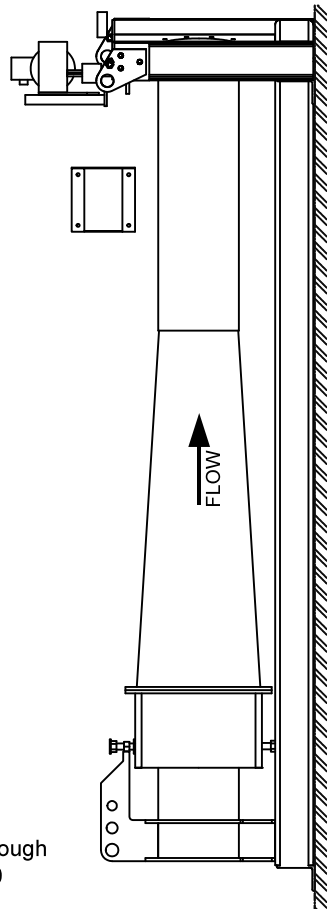
A Horizontal



B Sloped

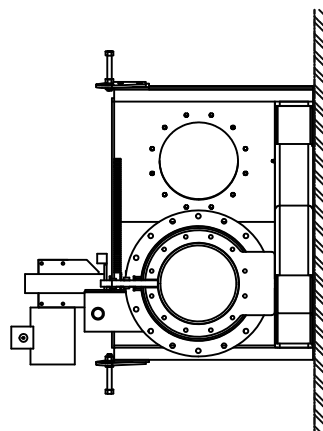


C Vertical



D Side Wall

Viewing inlet end (offset leg is on top).



** Offset is for occasional use only.

For design improvements through
CFD calculations see A-3900