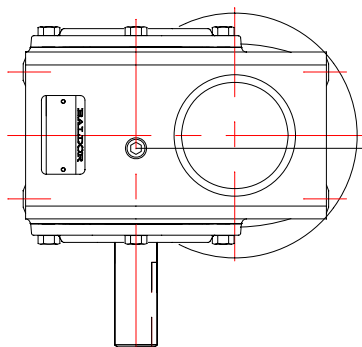
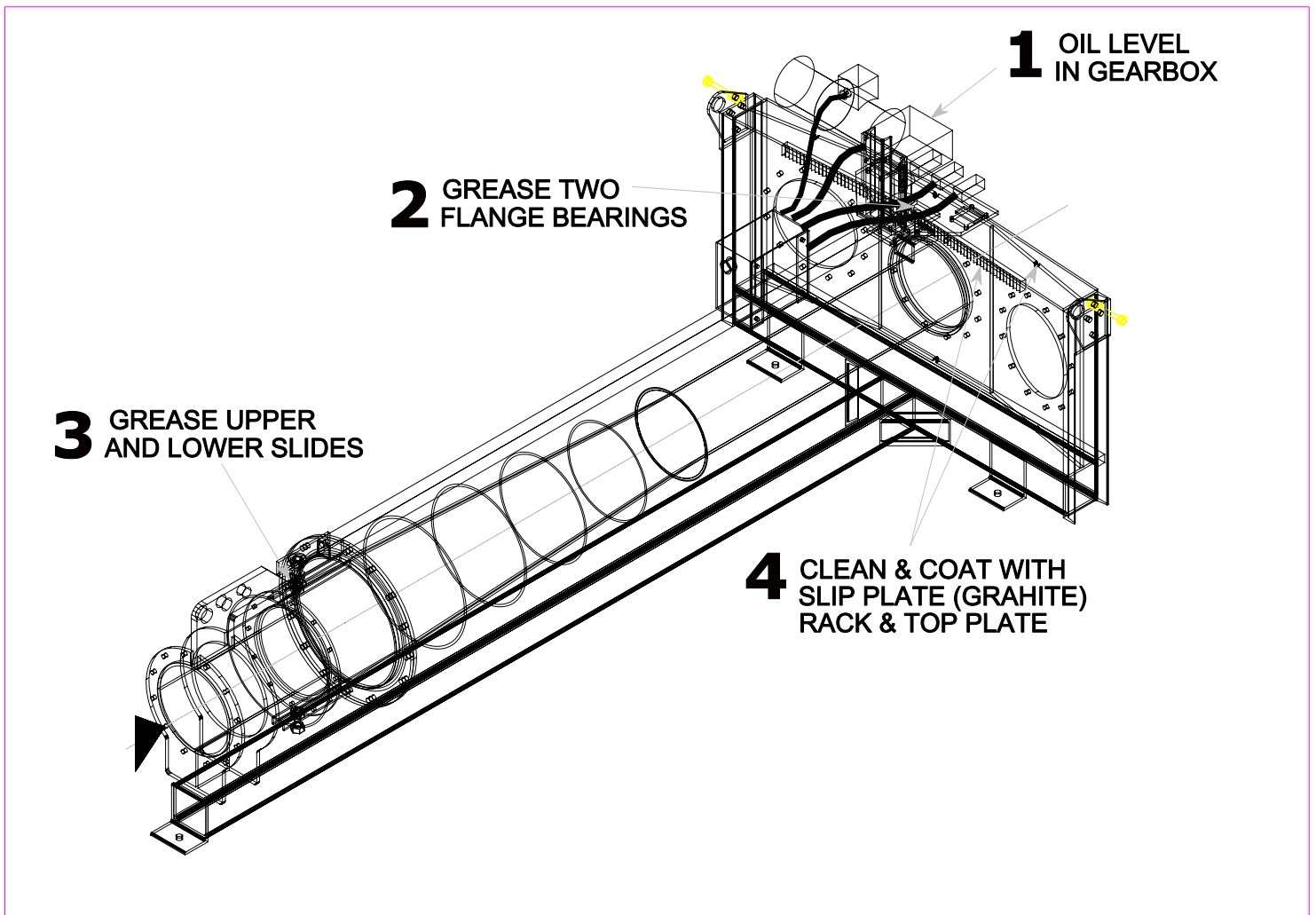


3D.3 Lubrication

REFERENCE 3C.6 PREVENTATIVE MAINTENANCE



FILLED FOR LIFE WITH KLUBERSYNTH UH1-6-460 SYNTHETIC OIL

A9

3-WAY VALVE
GEAR BRAKE MOTOR OPERATED