

8000 & 8000 Q Series

Positive Displacement Blowers
& Vacuum Pumps





Delivering More

- Throughout history, Gardner Denver has continually raised the standard of every product we've designed and manufactured
- The 8000/8000 Q Series positive displacement blowers are examples of this commitment
- Each Gardner Denver model is designed and built by highly skilled crafts persons to ISO 9001 certified quality standards utilizing the highest quality materials
- Exhaustive testing against strict standards insures top performance and reliability over the long haul
- Every blower is supported by a worldwide network of trained professionals and backed by a warranty:
 - 18 months from the date of shipment or
 - 12 months from the date of installation



8000 Series

Creativity, Engineering and Craftsmanship

- The heart of the 8000/8000 Q Series is an enhanced rotor profile
- Computer designed and precision machined at our state-of-the-art manufacturing facility
- Each rotor set produces less internal slip, reduces temperature rise and increases blower efficiency
- Rotor shaft diameter and bearing sizes have been increased to allow blower operation at higher pressures without sacrificing bearing life
- These advanced design features allow the 8000/8000 Q Series of blowers to deliver greater efficiency at higher pressure and vacuum levels than ever before



8000 Q Series

A Full Range of Sizes to Fit Your Application Needs

- Available 950 CFM–18,000 CFM, 1,600 m³h–30,500 m³h
- 8000/8000 Q Series blowers deliver up to 20 PSIG, 1.4 bar discharge pressure or 16" Hg, 470 mbar vacuum to match your application requirements
- Each blower model can be custom manufactured to meet your exact specifications
- Available options
 - water injection
 - mechanical seals
 - pressure lubrication systems
 - gear end shaft arrangements
 - closed end impellers
 - high temperature clearances

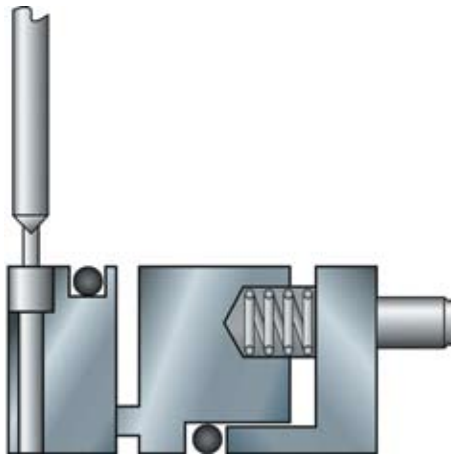
Industry	Application
Milling and Baking	Blending and Conveying
Resin and Plastic	Processing and Conveying
Power Generation	Fly Ash Conveying and Aeration
Chemical	Vacuum Processing and Conveying
Wastewater	Aeration and Backwashing
Pulp and Paper	Chip Conveying and Process Vacuum
Cement and Lime	Fluidization and Conveying
Soil Remediation	Vacuum Extraction and Sparging
Air Separation	Gas Collection and Transportation



A Clear Look at Gardner Denver 8000/8000 Q's Superior Features

One-piece Steel Shafts

- Constructed of chrome alloy
- Interference-fit through the impeller and flanged to the gear end
- Larger shaft diameter to reduce torsional deflection
- Increased pressure ratings and efficiencies
- Allowing higher working loads for V-belt drives without additional bearings
- Competition utilizes bolt on shafts which transmit power through the cast rotor causing added stress loads

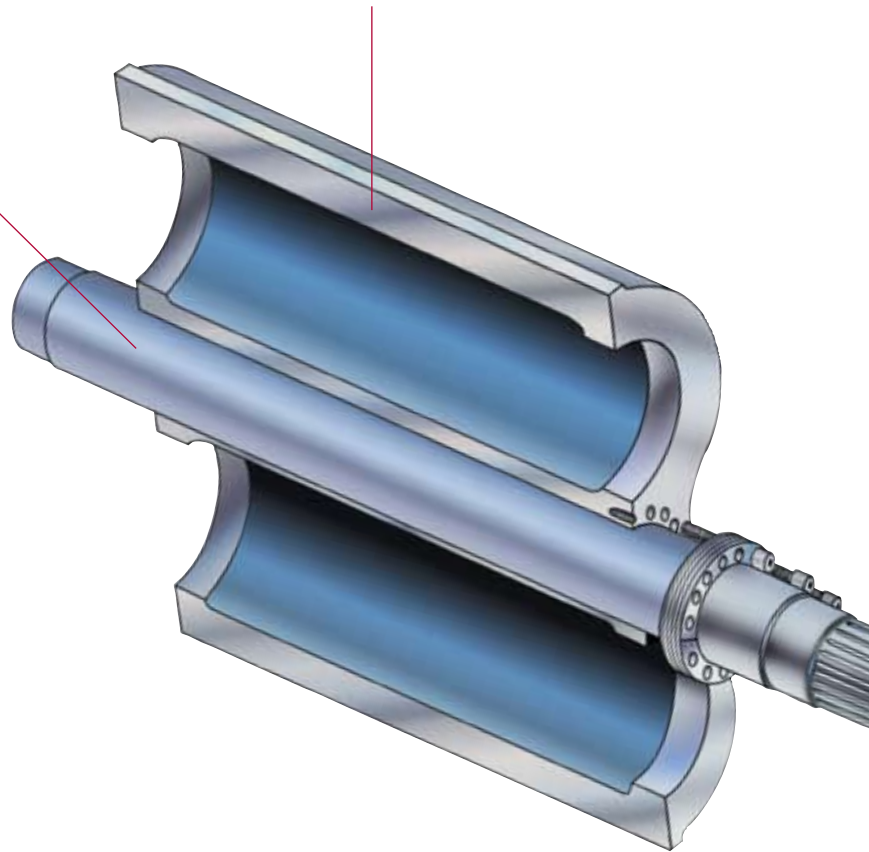


Optional Mechanical Seals

- Prevent gas leaks
- Recommended for all gas-handling applications in pressure or vacuum

Dynamically Balanced Impellers

- Constructed of high-density, ductile-iron
- Designed for smooth running and lower bearing loads



Splash Lubrication

- Effective & efficient splash lubrication of all bearing and timing gears
- Optional pressure lubrication system and oil cooler (with a unidirectional, shaft-mounted pump to deliver oil to bearings and gears from a single sump)

Heavy Duty Bearings

- Double-row, spherical roller bearings
- Held in machined bearing cartridges to allow for easy field maintenance
- Gear end bearings fixed axially against shaft shoulder
- Controls thrust loads and maintains end clearances

Standard Viton Seals

- Provide longer life and positive sealing at any temperature
- Optional mechanical seals

Heat-treated Timing Gears

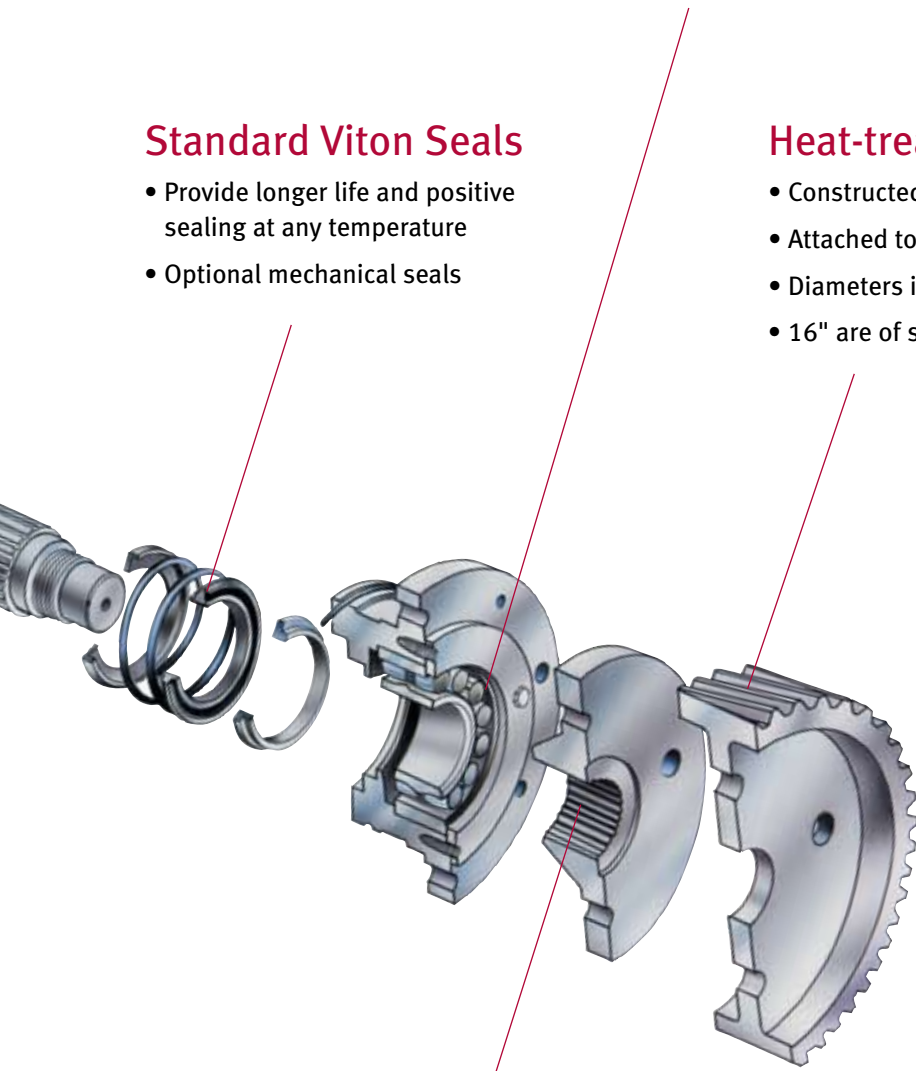
- Constructed of alloy steel
- Attached to timing hubs by high tensile strength bolts
- Diameters in 10" through 14" are of helical design
- 16" are of straight spur design

Other 8000 Series Features

- High-tensile, cast-iron headplates keep all internals perfectly aligned
- Generous seal vent areas assure better sealing and longer life
- Large machined footpads offer excellent, permanent mounting surfaces
- Reinforced case design assures greater rigidity under pressure or vacuum
- Energy-saving ports with larger inlet and discharge ports allow for greater air flow and optimum air velocity

Timing Hubs

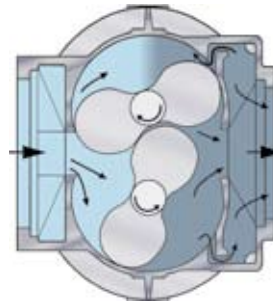
- Accurately positioned by splines on the drive shaft
- Simplifies timing and serviceability



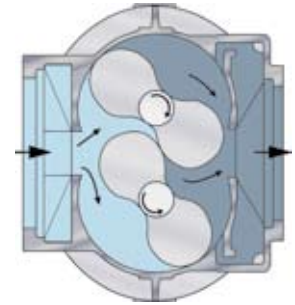
Q = Quiet

The 8000 Q Series Greatly Reduces Pulsations for Significantly Reduced Noise

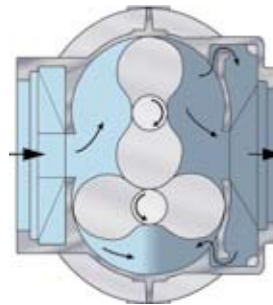
- The 8000 Q Series blower reduces pulsations created at the discharge port of a straight lobed blower, as depicted in the diagrams to the right
- Pulsations are reduced by bleeding some of the discharge air or gas back through a feedback plenum into the closed pocket
- Pressure within the blower gradually increases until it nearly equals the discharge line pressure
- When the rotor tip passes the long edge of the port, there is less disturbance which creates noise and unwanted pulsations
- The Q Series option is available for 10" through 16" gear size machines
- In most applications, the option can reduce the blower's noise level by approximately 5 dBA



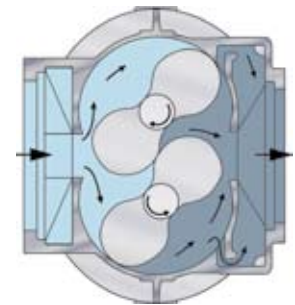
Pressure in upper pocket begins to be equalized through feedback port.



Lower air pocket about to be sealed off at inlet.

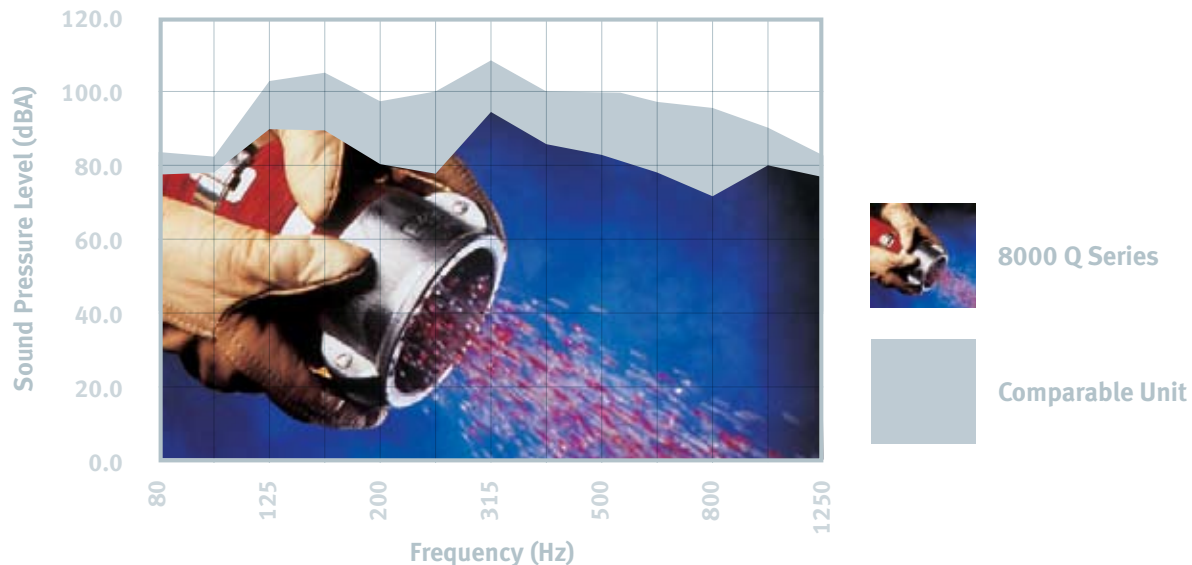


Pressure in pocket is equalized through feedback port.



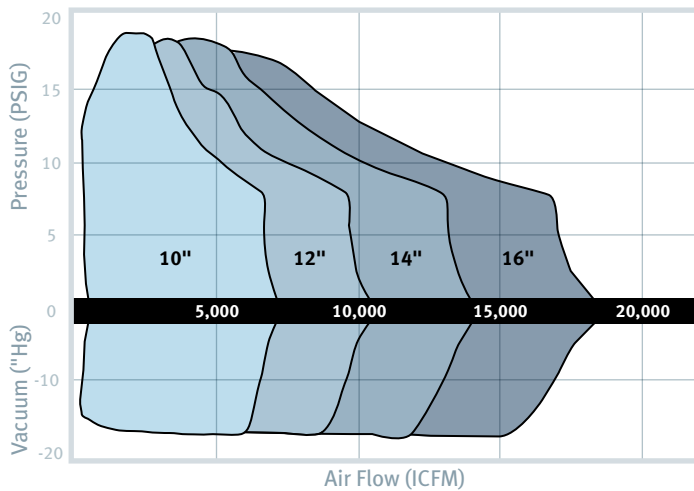
Discharged air pulsations and noise levels are greatly reduced.

Operation at 12" Hg



Options, Quality & Value

8000 & 8000 Q Series Map by Gear Diameter



Specific Model Selection

- Over 100 individual 8000/8000 Q Series models to meet your application requirements
- For specific air demands, performance data is available through a local authorized Gardner Denver distributor

The Gardner Denver Promise

SUPERIOR SERVICE

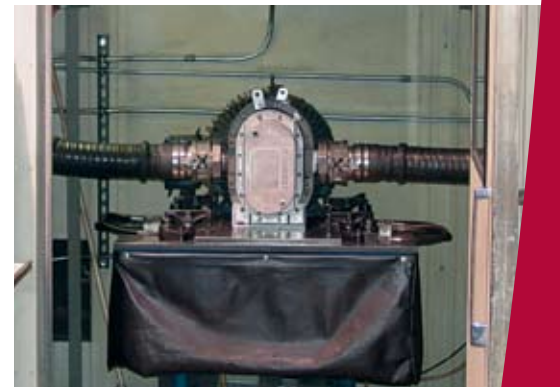
Customer service—including specification assistance, engineering support and blower sizing—is available from your local authorized distributor or directly from Gardner Denver

HIGHEST QUALITY AT LOWEST POSSIBLE COST

- Gardner Denver's 8000/8000 Q Series of blowers and vacuum pumps are engineered and manufactured under strict ISO 9001 quality standards
- Gardner Denver makes it a priority to invest in highly skilled people who take pride in producing quality products
- State-of-the-art CNC machining centers and labor savings material processing allow Gardner Denver to produce blowers quickly, efficiently and economically
- Attention to detail is found throughout the manufacturing process such as utilizing advanced coordinate measuring equipment (photo A)
- 8000/8000 Q Series blower components are subjected to quality inspections before assembly
- Prior to shipment, every blower is tested against rigid standards (photo B)



A — Coordinate measuring



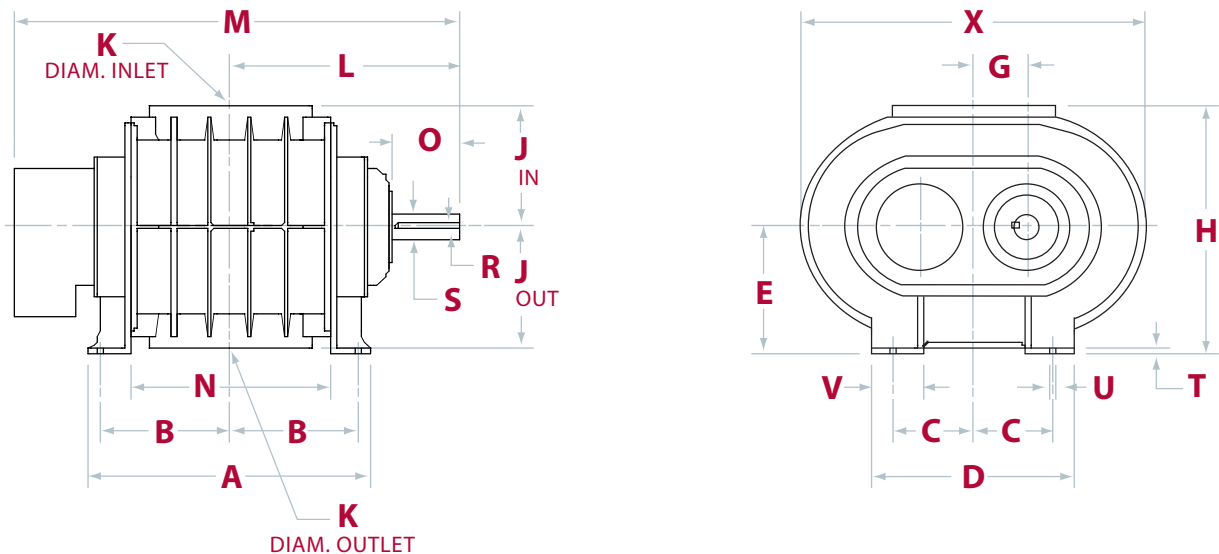
B — Testing station

Dimensional Data – Horizontal Configurations

SIZE	WT.	A	B	C	D	E	G	H	J _{In}	J _{Out}	K _{In}	K _{Out}	L	M	N	O	R	S	T	U	V	X
1008	1750	16.75	7.00	7.50	20	14.00	5	31.38	17.38	17.38	8	8	19.38	36.38	8.00	7.88	0.63	2.50	1.13	0.88	7.00	30.75
1011	1875	19.75	8.50	7.50	20	14.00	5	31.38	17.38	17.38	8	8	20.88	39.38	11.00	7.88	0.63	2.50	1.13	0.88	7.00	30.75
1013	2000	22.00	9.63	7.50	20	14.00	5	31.38	17.38	17.38	10	10	22.00	41.63	13.25	7.88	0.63	2.50	1.13	0.88	7.00	33.00
1016	2050	24.75	11.00	7.50	20	14.00	5	26.00	12.00	12.00	10	10	23.38	44.38	16.00	7.88	0.63	2.50	1.13	0.88	7.00	33.00
1016-Q	2164	24.75	11.00	7.50	20	14.00	5	28.25	14.25	14.25	12	10	23.38	44.38	16.00	7.88	0.63	2.50	1.13	0.88	7.00	33.00
1018	2100	26.75	12.00	7.50	20	14.00	5	26.00	12.00	12.00	10	10	24.38	46.38	18.00	7.88	0.63	2.50	1.13	0.88	7.00	33.00
1021	2165	29.75	13.50	7.50	20	14.00	5	26.00	12.00	12.00	12	12	25.88	49.38	21.00	7.88	0.63	2.50	1.13	0.88	7.00	33.00
1021-Q	2286	29.75	13.50	7.50	20	14.00	5	28.25	14.25	14.25	14	12	25.88	49.38	21.00	7.88	0.63	2.50	1.13	0.88	7.00	33.00
1024	2530	32.75	15.00	7.50	20	14.00	5	28.00	14.00	14.00	14	14	27.38	52.38	24.00	7.88	0.63	2.50	1.13	0.88	7.00	33.00
1024-Q	2697	32.75	15.00	7.50	20	14.00	5	28.25	14.25	14.25	14	12	27.38	52.38	24.00	7.88	0.63	2.50	1.13	0.88	7.00	33.00
1030	2770	38.75	18.00	7.50	20	14.00	5	28.00	14.00	14.00	14	14	30.38	58.38	30.00	7.88	0.63	2.50	1.13	0.88	7.00	33.00
1030-Q	3032	38.75	18.00	7.50	20	14.00	5	28.25	14.25	14.25	16	14	30.38	58.38	30.00	7.88	0.63	2.50	1.13	0.88	7.00	33.00
1213	2850	22.50	9.50	9.00	24	16.50	6	35.75	19.25	19.25	10	10	24.00	45.12	13.00	8.88	0.75	2.88	1.33	0.88	7.00	36.50
1216	2975	25.50	11.00	9.00	24	16.50	6	35.75	19.25	19.25	10	10	25.50	48.12	16.00	8.88	0.75	2.88	1.33	0.88	7.00	36.50
1218	3065	28.00	12.25	9.00	24	16.50	6	32.50	16.00	16.00	12	12	26.75	50.62	18.50	8.88	0.75	2.88	1.33	0.88	7.00	39.00
1220	3340	29.50	13.00	9.00	24	16.50	6	32.50	16.00	16.00	12	12	27.50	52.12	20.00	8.88	0.75	2.88	1.33	0.88	7.00	39.00
1223	3410	32.50	14.50	9.00	24	16.50	6	32.50	16.00	16.00	14	14	29.00	55.12	23.00	8.88	0.75	2.88	1.33	0.88	7.00	39.00
1226	3625	35.50	16.00	9.00	24	16.50	6	32.50	16.00	16.00	14	14	30.50	58.12	26.00	8.88	0.75	2.88	1.33	0.88	7.00	39.00
1226-Q	3893	35.50	16.00	9.00	24	16.50	6	33.00	16.50	16.50	18	16	30.50	58.12	26.00	8.88	0.75	2.88	1.33	0.88	7.00	39.00
1230	3975	39.50	18.00	9.00	24	16.50	6	32.50	16.00	16.00	16	16	32.50	62.12	30.00	8.88	0.75	2.88	1.33	0.88	7.00	39.00
1230-Q	4346	39.50	18.00	9.00	24	16.50	6	33.00	16.50	16.50	18	16	32.50	62.12	30.00	8.88	0.75	2.88	1.33	0.88	7.00	39.00
1236	4170	45.50	21.00	9.00	24	16.50	6	32.50	16.00	16.00	16	16	35.50	68.12	36.00	8.88	0.75	2.88	1.33	0.88	7.00	39.00
1236-Q	4693	45.50	21.00	9.00	24	16.50	6	33.00	16.50	16.50	20	18	35.50	68.12	36.00	8.88	0.75	2.88	1.33	0.88	7.00	39.00
1415	3830	25.50	11.50	11.00	28	19.00	7	40.75	21.75	21.75	12	12	26.25	49.88	15.00	9.88	0.75	3.25	1.25	0.88	8.62	42.50
1419	3920	29.50	13.50	11.00	28	19.00	7	40.75	21.75	21.75	12	12	28.25	53.88	19.00	9.88	0.75	3.25	1.25	0.88	8.62	42.50

Dimensions are in inches. Weights are in pounds and approximate.

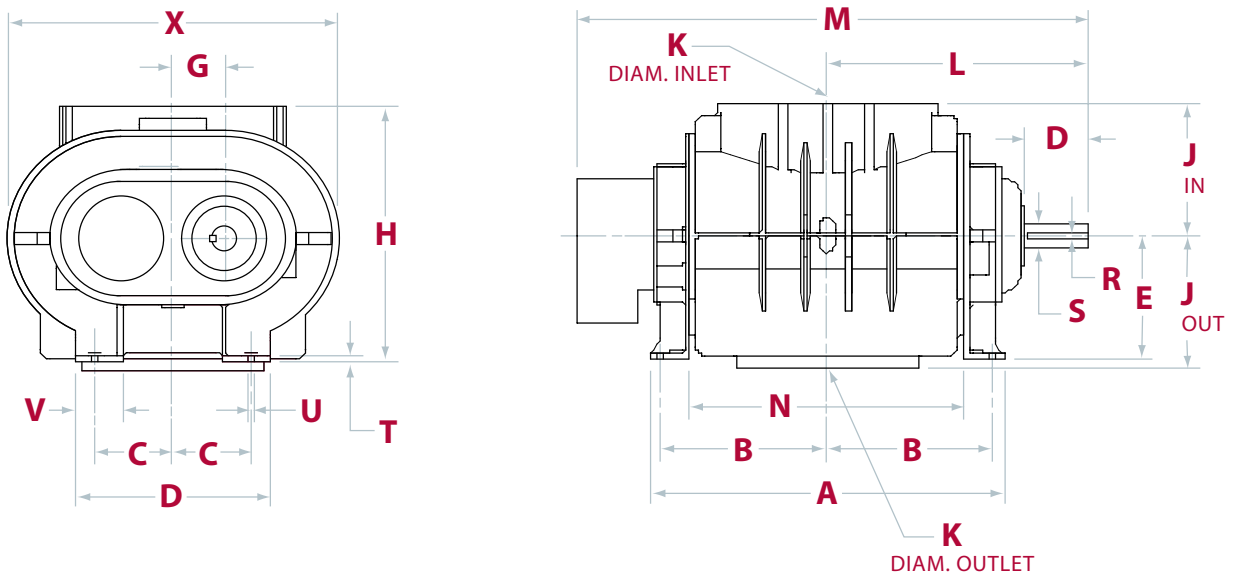
8000 Bare Right-Hand Bottom Discharge



SIZE	WT.	A	B	C	D	E	G	H	J In	J Out	K In	K Out	L	M	N	O	R	S	T	U	V	X
1421	3980	31.50	14.50	11.00	28	19.00	7	37.00	18.00	18.00	14	14	29.25	55.88	21.00	9.88	0.75	3.25	1.25	0.88	8.62	45.25
1423	4075	33.50	15.50	11.00	28	19.00	7	37.00	18.00	18.00	14	14	30.25	57.88	23.00	9.88	0.75	3.25	1.25	0.88	8.62	45.25
1426	4370	36.50	17.00	11.00	28	19.00	7	37.00	18.00	18.00	14	14	31.75	60.88	26.00	9.88	0.75	3.25	1.25	0.88	8.62	45.25
1426-Q	4695	36.50	17.00	11.00	28	19.00	7	38.25	19.25	19.25	18	16	31.75	60.88	26.00	9.88	0.75	3.25	1.25	0.88	8.62	45.25
1431	4575	41.50	19.50	11.00	28	19.00	7	37.00	18.00	18.00	18	18	34.25	65.88	31.00	9.88	0.75	3.25	1.25	0.88	8.62	45.25
1431-Q	5031	41.50	19.50	11.00	28	19.00	7	38.25	19.25	19.25	18	16	34.25	65.88	31.00	9.88	0.75	3.25	1.25	0.88	8.62	45.25
1437	5175	47.50	22.50	11.00	28	19.00	7	37.00	18.00	18.00	18	18	37.25	71.88	37.00	9.88	0.75	3.25	1.25	0.88	8.62	45.25
1437-Q	5868	47.50	22.50	11.00	28	19.00	7	38.25	19.25	19.25	24	20	37.25	71.88	37.00	9.88	0.75	3.25	1.25	0.88	8.62	45.25
1442	5625	52.50	25.00	11.00	28	19.00	7	37.00	18.00	18.00	18	18	39.75	76.88	42.00	9.88	0.75	3.25	1.25	0.88	8.62	45.25
1442-Q	6517	52.50	25.00	11.00	28	19.00	7	38.25	19.25	19.25	24	20	39.75	76.88	42.00	9.88	0.75	3.25	1.25	0.88	8.62	45.25
1617	5270	28.50	12.50	13.00	32	22.00	8	46.25	24.25	24.25	12	12	28.88	55.88	17.00	10.38	0.88	3.63	1.18	1.25	9.25	48.50
1623	5580	34.50	15.50	13.00	32	22.00	8	46.25	24.25	24.25	14	14	31.88	61.88	23.00	10.38	0.88	3.63	1.18	1.25	9.25	48.50
1626	5820	37.50	17.00	13.00	32	22.00	8	42.00	20.00	20.00	16	16	33.38	64.88	26.00	10.38	0.88	3.63	1.18	1.25	9.25	51.50
1630	6070	41.50	19.00	13.00	32	22.00	8	42.00	20.00	20.00	16	16	35.38	68.88	30.00	10.38	0.88	3.63	1.18	1.25	9.25	51.50
1630-Q	6636	41.50	19.00	13.00	32	22.00	8	44.25	22.25	22.25	20	18	35.38	68.88	30.00	10.38	0.88	3.63	1.18	1.25	9.25	51.50
1636	6320	47.50	22.00	13.00	32	22.00	8	42.00	20.00	20.00	20	20	38.38	70.62	36.00	10.38	0.88	3.63	1.18	1.25	9.25	51.50
1636-Q	7132	47.50	22.00	13.00	32	22.00	8	44.25	22.25	22.25	24	20	38.38	70.62	36.00	10.38	0.88	3.63	1.18	1.25	9.25	51.50
1640	6970	51.50	24.00	13.00	32	22.00	8	42.00	20.00	20.00	20	20	40.38	74.62	40.00	10.38	0.88	3.63	1.18	1.25	9.25	51.50
1640-Q	8004	51.50	24.00	13.00	32	22.00	8	44.25	22.25	22.25	24	20	40.38	74.62	40.00	10.38	0.88	3.63	1.18	1.25	9.25	51.50
1643	7370	54.50	25.50	13.00	32	22.00	8	42.00	20.00	20.00	24	24	41.88	77.62	43.00	10.38	0.88	3.63	1.18	1.25	9.25	51.50
1643-Q	8587	54.50	25.50	13.00	32	22.00	8	44.25	22.25	22.25	30	24	41.88	77.62	43.00	10.38	0.88	3.63	1.18	1.25	9.25	51.50
1648	8070	59.50	28.00	13.00	32	22.00	8	42.00	20.00	20.00	24	24	44.38	82.62	48.00	10.38	0.88	3.63	1.18	1.25	9.25	51.50
1648-Q	9618	59.50	28.00	13.00	32	22.00	8	44.25	22.25	22.25	30	24	44.38	82.62	48.00	10.38	0.88	3.63	1.18	1.25	9.25	51.50

Dimensions are in inches. Weights are in pounds and approximate.

8000 Q Bare Right-Hand Bottom Discharge

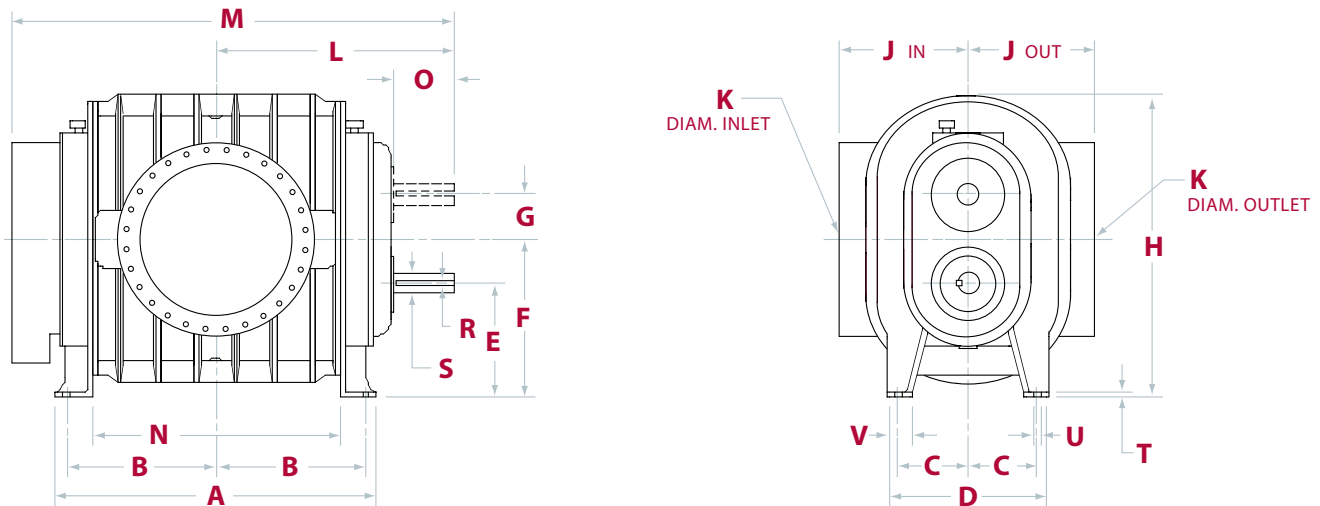


Dimensional Data – Vertical Configurations

SIZE	WT.	A	B	C	D	E	F	G	H	J In	J Out	K In	K Out	L	M	N	O	R	S	T	U	V
1008	1750	16.75	7.00	7.50	18	14.00	19.00	5	34.38	17.38	17.38	8	8	19.38	35.63	8.00	7.88	0.63	2.50	1.19	0.88	4.25
1011	1875	19.75	8.50	7.50	18	14.00	19.00	5	34.38	17.38	17.38	8	8	20.88	38.63	11.00	7.88	0.63	2.50	1.19	0.88	4.25
1013	2000	22.00	9.63	7.50	18	14.00	19.00	5	34.38	17.38	17.38	10	10	22.00	40.88	13.25	7.88	0.63	2.50	1.19	0.88	4.25
1013-Q	2092	22.00	9.63	7.50	18	14.00	19.00	5	34.38	14.25	14.25	12	10	22.00	40.88	13.25	7.88	0.63	2.50	1.19	0.88	4.25
1016	2050	24.75	11.00	7.50	18	14.00	19.00	5	34.38	12.00	12.00	10	10	23.38	43.63	16.00	7.88	0.63	2.50	1.19	0.88	4.25
1016-Q	2164	24.75	11.00	7.50	18	14.00	19.00	5	34.38	14.25	14.25	12	10	23.38	43.63	16.00	7.88	0.63	2.50	1.19	0.88	4.25
1018	2100	26.75	12.00	7.50	18	14.00	19.00	5	34.38	12.00	12.00	10	10	24.38	45.63	18.00	7.88	0.63	2.50	1.19	0.88	4.25
1018-Q	2217	26.75	12.00	7.50	18	14.00	19.00	5	34.38	14.25	14.25	12	10	24.38	45.63	18.00	7.88	0.63	2.50	1.19	0.88	4.25
1021	2165	29.75	13.50	7.50	18	14.00	19.00	5	34.38	12.00	12.00	12	12	25.88	48.63	21.00	7.88	0.63	2.50	1.19	0.88	4.25
1021-Q	2286	29.75	13.50	7.50	18	14.00	19.00	5	34.38	14.25	14.25	14	12	25.88	48.63	21.00	7.88	0.63	2.50	1.19	0.88	4.25
1024	2530	32.75	15.00	7.50	18	14.00	19.00	5	35.25	14.00	14.00	14	14	27.38	51.63	24.00	7.88	0.63	2.50	1.19	0.88	4.25
1024-Q	2697	32.75	15.00	7.50	18	14.00	19.00	5	35.25	14.25	14.25	14	12	27.38	51.63	24.00	7.88	0.63	2.50	1.19	0.88	4.25
1030	2770	38.75	18.00	7.50	18	14.00	19.00	5	35.25	14.00	14.00	14	14	30.38	57.63	30.00	7.88	0.63	2.50	1.19	0.88	4.25
1030-Q	3032	38.75	18.00	7.50	18	14.00	19.00	5	35.25	14.25	14.25	16	14	30.38	57.63	30.00	7.88	0.63	2.50	1.19	0.88	4.25
1213	2850	22.50	9.50	9.00	22	16.50	22.50	6	40.75	19.25	19.25	10	10	24.00	45.00	13.00	8.88	0.75	2.88	1.33	0.88	6.50
1216	2975	25.50	11.00	9.00	22	16.50	22.50	6	40.75	19.25	19.25	10	10	25.50	48.00	16.00	8.88	0.75	2.88	1.33	0.88	6.50
1218	3065	28.00	12.25	9.00	22	16.50	22.50	6	41.75	16.00	16.00	12	12	26.75	50.50	18.50	8.88	0.75	2.88	1.33	0.88	6.50
1218-Q	3211	28.00	12.25	9.00	22	16.50	22.50	6	41.75	16.50	16.50	16	14	26.75	50.50	18.50	8.88	0.75	2.88	1.33	0.88	6.50
1220	3340	29.50	13.00	9.00	22	16.50	22.50	6	41.75	16.00	16.00	12	12	27.50	52.00	20.00	8.88	0.75	2.88	1.33	0.88	6.50
1220-Q	3531	29.50	13.00	9.00	22	16.50	22.50	6	41.75	16.50	16.50	16	14	27.50	52.00	20.00	8.88	0.75	2.88	1.33	0.88	6.50
1223	3410	32.50	14.50	9.00	22	16.50	22.50	6	41.75	16.00	16.00	14	14	29.00	55.00	23.00	8.88	0.75	2.88	1.33	0.88	6.50
1223-Q	3606	32.50	14.50	9.00	22	16.50	22.50	6	41.75	16.50	16.50	16	14	29.00	55.00	23.00	8.88	0.75	2.88	1.33	0.88	6.50
1226	3625	35.50	16.00	9.00	22	16.50	22.50	6	41.75	16.00	16.00	14	14	30.50	58.00	26.00	8.88	0.75	2.88	1.33	0.88	6.50
1226-Q	3893	35.50	16.00	9.00	22	16.50	22.50	6	41.75	16.50	16.50	18	16	30.50	58.00	26.00	8.88	0.75	2.88	1.33	0.88	6.50
1230	3975	39.50	18.00	9.00	22	16.50	22.50	6	41.75	16.00	16.00	16	16	32.50	62.00	30.00	8.88	0.75	2.88	1.33	0.88	6.50
1230-Q	4346	39.50	18.00	9.00	22	16.50	22.50	6	41.75	16.50	16.50	18	16	32.50	62.00	30.00	8.88	0.75	2.88	1.33	0.88	6.50
1236	4170	45.50	21.00	9.00	22	16.50	22.50	6	41.75	16.00	16.00	16	16	35.50	68.00	36.00	8.88	0.75	2.88	1.33	0.88	6.50
1236-Q	4693	45.50	21.00	9.00	22	16.50	22.50	6	41.75	16.50	16.50	20	18	35.50	68.00	36.00	8.88	0.75	2.88	1.33	0.88	6.50
1415	3830	25.50	11.50	11.00	26	19.00	26.00	7	47.25	21.75	21.75	12	12	26.25	48.13	15.00	9.88	0.75	3.25	1.25	0.88	4.38

Dimensions are in inches. Weights are in pounds and approximate.

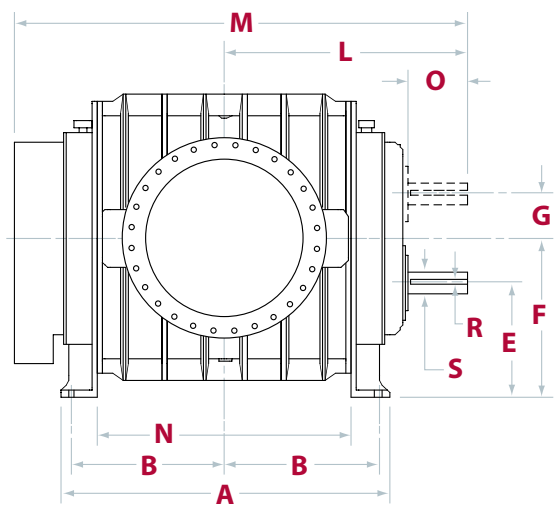
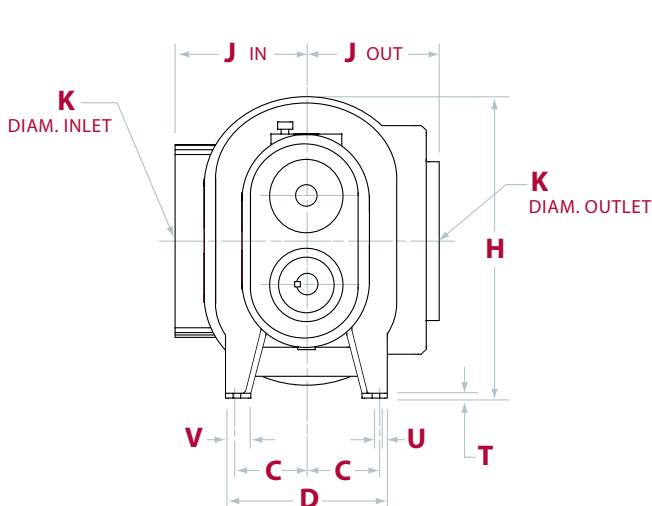
8000 Bare Bottom-Hand Right Discharge



SIZE	WT.	A	B	C	D	E	F	G	H	J In	J Out	K In	K Out	L	M	N	O	R	S	T	U	V
1419	3920	29.50	13.50	11.00	26	19.00	26.00	7	47.25	21.75	21.75	12	12	28.25	52.13	19.00	9.88	0.75	3.25	1.25	0.88	4.38
1421	3980	31.50	14.50	11.00	26	19.00	26.00	7	48.50	18.00	18.00	14	14	29.25	54.13	21.00	9.88	0.75	3.25	1.25	0.88	4.38
1421-Q	4172	31.50	14.50	11.00	26	19.00	26.00	7	48.50	19.25	19.25	16	14	29.25	54.13	21.00	9.88	0.75	3.25	1.25	0.88	4.38
1423	4075	33.50	15.50	11.00	26	19.00	26.00	7	48.50	18.00	18.00	14	14	30.25	56.13	23.00	9.88	0.75	3.25	1.25	0.88	4.38
1423-Q	4314	33.50	15.50	11.00	26	19.00	26.00	7	48.50	19.25	19.25	16	14	30.25	56.13	23.00	9.88	0.75	3.25	1.25	0.88	4.38
1426	4370	36.50	17.00	11.00	26	19.00	26.00	7	48.50	18.00	18.00	14	14	31.75	59.12	26.00	9.88	0.75	3.25	1.25	0.88	4.38
1426-Q	4695	36.50	17.00	11.00	26	19.00	26.00	7	48.50	19.25	19.25	18	16	31.75	59.12	26.00	9.88	0.75	3.25	1.25	0.88	4.38
1431	4575	41.50	19.50	11.00	26	19.00	26.00	7	48.50	18.00	18.00	18	18	34.25	64.12	31.00	9.88	0.75	3.25	1.25	0.88	4.38
1431-Q	5031	41.50	19.50	11.00	26	19.00	26.00	7	48.50	19.25	19.25	18	16	34.25	64.12	31.00	9.88	0.75	3.25	1.25	0.88	4.38
1437	5175	47.50	22.50	11.00	26	19.00	26.00	7	48.50	18.00	18.00	18	18	37.25	70.12	37.00	9.88	0.75	3.25	1.25	0.88	4.38
1437-Q	5868	47.50	22.50	11.00	26	19.00	26.00	7	48.50	19.25	19.25	24	20	37.25	70.12	37.00	9.88	0.75	3.25	1.25	0.88	4.38
1442	5625	52.50	25.00	11.00	26	19.00	26.00	7	48.50	18.00	18.00	18	18	39.75	75.12	42.00	9.88	0.75	3.25	1.25	0.88	4.38
1442-Q	6517	52.50	25.00	11.00	26	19.00	26.00	7	48.50	19.25	19.25	24	20	39.75	75.12	42.00	9.88	0.75	3.25	1.25	0.88	4.38
1617	5270	28.50	12.50	13.00	31	22.00	30.00	8	54.25	24.25	24.25	12	12	28.88	51.63	17.00	10.38	0.88	3.63	1.38	1.25	5.50
1623	5580	34.50	15.50	13.00	31	22.00	30.00	8	54.25	24.25	24.25	14	14	31.88	57.63	23.00	10.38	0.88	3.63	1.38	1.25	5.50
1626	5820	37.50	17.00	13.00	31	22.00	30.00	8	55.75	20.00	20.00	16	16	33.38	60.63	26.00	10.38	0.88	3.63	1.38	1.25	5.50
1626-Q	6255	37.50	17.00	13.00	31	22.00	30.00	8	55.75	22.25	22.25	20	18	33.38	60.63	26.00	10.38	0.88	3.63	1.38	1.25	5.50
1630	6070	41.50	19.00	13.00	31	22.00	30.00	8	55.75	20.00	20.00	16	16	35.38	64.63	30.00	10.38	0.88	3.63	1.38	1.25	5.50
1630-Q	6636	41.50	19.00	13.00	31	22.00	30.00	8	55.75	22.25	22.25	20	18	35.38	64.63	30.00	10.38	0.88	3.63	1.38	1.25	5.50
1636	6320	47.50	22.00	13.00	31	22.00	30.00	8	55.75	20.00	20.00	20	20	38.38	70.63	36.00	10.38	0.88	3.63	1.38	1.25	5.50
1636-Q	7132	47.50	22.00	13.00	31	22.00	30.00	8	55.75	22.25	22.25	24	20	38.38	70.63	36.00	10.38	0.88	3.63	1.38	1.25	5.50
1640	6970	51.50	24.00	13.00	31	22.00	30.00	8	55.75	20.00	20.00	20	20	40.38	74.63	40.00	10.38	0.88	3.63	1.38	1.25	5.50
1640-Q	8004	51.50	24.00	13.00	31	22.00	30.00	8	55.75	22.25	22.25	24	20	40.38	74.63	40.00	10.38	0.88	3.63	1.38	1.25	5.50
1643	7370	54.50	25.50	13.00	31	22.00	30.00	8	55.75	20.00	20.00	24	24	41.88	77.63	43.00	10.38	0.88	3.63	1.38	1.25	5.50
1643-Q	8587	54.50	25.50	13.00	31	22.00	30.00	8	55.75	22.25	22.25	30	24	41.88	77.63	43.00	10.38	0.88	3.63	1.38	1.25	5.50
1648	8070	59.50	28.00	13.00	31	22.00	30.00	8	55.75	20.00	20.00	24	24	44.38	82.63	48.00	10.38	0.88	3.63	1.38	1.25	5.50
1648-Q	9618	59.50	28.00	13.00	31	22.00	30.00	8	55.75	22.25	22.25	30	24	44.38	82.63	48.00	10.38	0.88	3.63	1.38	1.25	5.50

Dimensions are in inches. Weights are in pounds and approximate.

8000 Q Bare Bottom-Hand Right Discharge





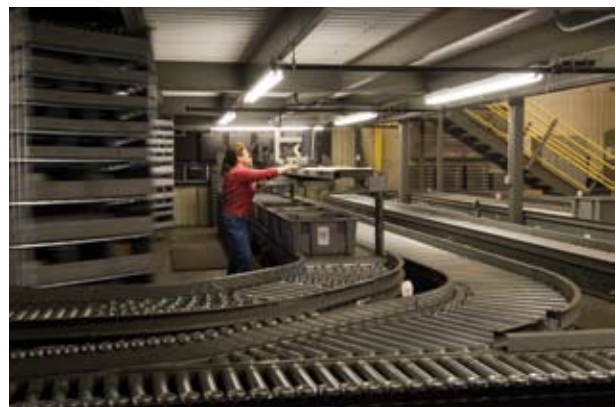
Protect your Gardner Denver investment with AEON™ PD, the only lubricant specially formulated for all blowers in any environment

- 100% synthetic for matchless service life
- Retains its superior lubricating properties a minimum of four times longer than a premium grade mineral oil at most operating conditions
- Eliminates seasonal oil viscosity grade changes
- Superior lubrication in severe, high temperature applications
- Available from your local authorized Gardner Denver distributor in convenient sizes to meet your needs
- Food grade lubricant available



Retain your 8000/8000 Q advantage with genuine Gardner Denver replacement parts

- Gardner Denver guarantees to supply the proper parts for your specific blower every time. Replacement parts incorporate the most recent design upgrades.
- All parts meet Gardner Denver original manufacturing specifications and tolerances for guaranteed fit and function.
- Pre-packaged overhaul kits with detailed service manuals are available from your local authorized Gardner Denver distributor.



**Gardner
Denver®**

For additional information contact your local representative or
Gardner Denver, 1800 Gardner Expressway, Quincy, IL 62305
Customer Service Department
Telephone: (800) 682-9868 FAX: (217) 221-8780
Sales and Service in all major cities.
www.gardnerdenver.com pd.blowers@gardnerdenver.com

