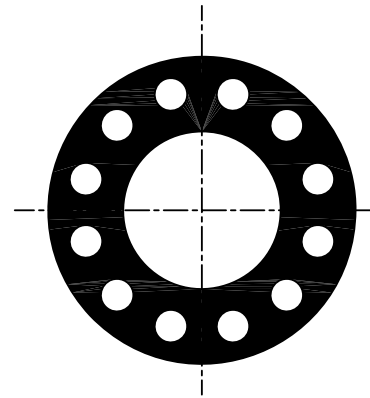


**Drilled Plate Flange**



**Gasket**

$\frac{1}{8}$ " Red Neoprene (220° F MAX.)  
Full Face

- Used on Blower/Silencer Ports
- Torque bolts 60-80 lb/ft (Not too tight on CastIron)
- For 125/150 # ANSI patterns.

FLANGE TOLERANCES:

- . Diameter:  $\pm 1/16$ "
- . Location to part centerline :  $\pm 1/16$ "
- . Hole spacing  $\pm 1/32$ "
- . Face variation to indicated plane:  
3/64"per foot of diameter

NOM. PIPE SIZE	I.D.	O.D.	B.C. Ø	TH	HOLE Ø	NO. HOLES	BOLT Ø x LG.	FLANGE WT. (LBS)	RING GASKET SIZE (I.D x O.D.)
<b>3 1/2</b>	4 1/16	8 1/2	7	3/8	3/4	8	5/8 x 2"	4	3 1/2 x 6 3/8
<b>4</b>	4 9/16	9	7 1/2	3/8	3/4	8	5/8 x 2"	5	4 x 6 7/8
<b>5</b>	5 5/8	10	8 1/2	3/8	7/8	8	3/4 x 2 1/4	6	5 x 7 3/4
<b>6</b>	6 11/16	11	9 1/2	1/2	7/8	8	3/4 x 2 1/2	9	6 x 8 3/4
<b>8</b>	8 3/4	13 1/2	11 3/4	1/2	7/8	8	3/4 x 2 1/2	12	8 x 11
<b>10</b>	10 7/8	16	14 1/4	1/2	1"	12	7/8 x 2 1/2	15	10 x 13 3/8
<b>12</b>	12 7/8	19	17	1/2	1"	12	7/8 x 2 1/2	22	12 x 16 1/8
<b>14</b>	14 3/16	21	18 3/4	1/2	1 1/8	12	1" x 2 3/4	25	14 x 17 3/4
<b>16</b>	16 3/16	23 1/2	21 1/4	1/2	1 1/8	16	1" x 2 3/4	30	16 x 20 1/4
<b>18</b>	18 3/16	25	22 3/4	1/2	1 1/4	16	1 1/8 x 3"	30	18 x 21 5/8
<b>20</b>	20 3/16	27 1/2	25	1/2	1 1/4	20	1 1/8 x 3"	35	20 x 23 7/8
<b>22</b>	22 3/16	29 1/2	27 1/4	1/2	1 3/8	20	1 1/4 x 3"	38	22 x 26
<b>24</b>	24 3/16	32	29 1/2	1/2	1 3/8	20	1 1/4 x 3"	45	24 x 28 1/4
<b>26</b>	26 3/16	34 1/4	31 3/4	3/4	1 3/8	24	1 1/4 x 3 1/2	74	26 x 30 1/2
<b>28</b>	28 3/16	36 1/2	34	3/4	1 3/8	28	1 1/4 x 3 1/2	81	28 x 32 3/4