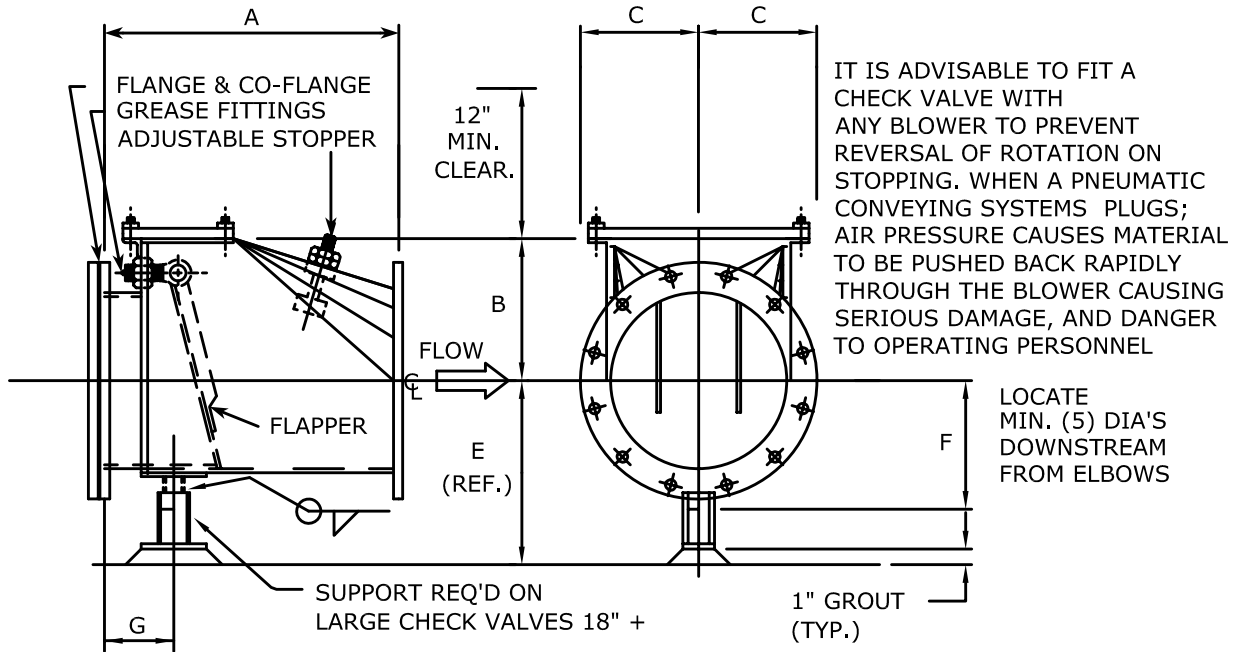


CHECK FOR FREE FLAPPER OPERATION



LINE SIZE	A	B	C	E	F	G	WEIGHT
6 5/8	18	7	4 5/16	12			39
8 5/8	18	8	5 9/16	12			63
10 3/4	22	9 1/2	6 5/8	12			72
12 3/4	24	11 3/8	7 7/8	18			140
14	27	12 3/8	8 1/2	18			150
16	30	13 3/8	10	18			198
18	30	13 3/8	11	18	13	8	237
20	32	15	13 1/2	24	19	10	425
22	33	16 1/2	14 1/2	24	19	10	512
24	37	17 1/2	15	24	19	10	576
26	39	19	16	24	19	10	651
28	41	19 1/2	17	24	19	10	715
30	43	20 1/2	18 1/2	24	19	10	755