

BAUM

PNEUMATICS INC.

Specifications

Expansion Joint
Single - End Slip - Type

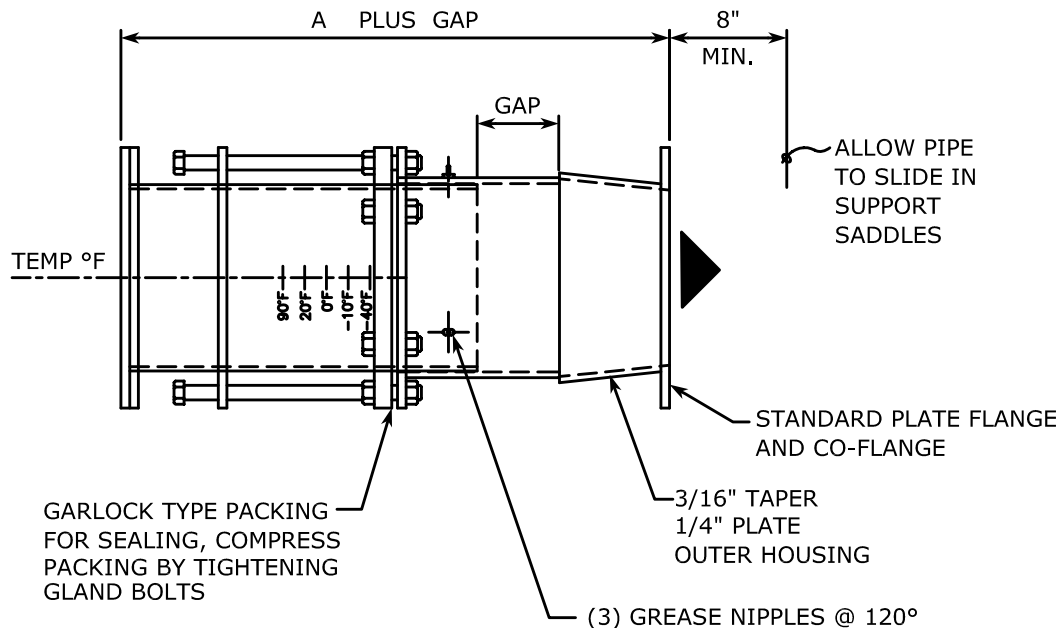
A-9100

Rev. 0

04 / 03

PIPE O.D.	4 1/2	5 9/16	6 5/8	8 5/8	10 3/4	12 3/4	14	16	18	20
DIM 'A'	22	22	22	23	25	27	29	31	33	35
EST. WEIGHT LBS	35	55	75	102	135	160	175	240	310	400
AMBIENT TEMPERATURE AT TIME OF INSTALLATION	150°F	125°F	100°F	75°F	50°F	25°F	0°F	-25°F	-50°F	
GAP REQUIRED	0	7/8	1 5/8	2 1/2	3 1/4	4 1/8	4 7/8	5 5/8	6 1/2	

NOTE: Dimensions in inches, weight in lbs, varying slightly with production models. Request certified drawings of particular models or applications for exact dimensions.

**NOTE:**

1. ON INITIAL INSTALLATION ENSURE THAT EXPANSION JOINT IS INSTALLED WITH CORRECT GAP.
2. GAPS SHOWN ARE BASED ON EXPANSION JOINTS AT APPROX. 400' CENTERS.
3. SUPPORT PIPES ON EITHER SIDE OF EXPANSION JOINT WITHIN 10'.
4. DO NOT INSTALL EXPANSION JOINT WITHIN 10' FROM DISCHARGE TANGENTS OF ANY ELBOW. SLIP-TYPE EXPANSION JOINTS ARE PARTICULARLY SUITED FOR LINES HAVING STRAIGHT-LINE (AXIAL) MOVEMENTS OF LARGE MAGNITUDE. SLIP JOINTS CANNOT TOLERATE LATERAL OFFSET OR ANGULAR ROTATION (COCKING) SINCE THIS WOULD CAUSE BINDING, GALLING AND POSSIBLY LEAKAGE, USE PROPER PIPE ALIGNMENT GUIDE (SADDLES).
5. APPROX. 13/16" OF MOVEMENT PER 100 FEET FOR 100° F CHANGE IN TEMPERATURE.