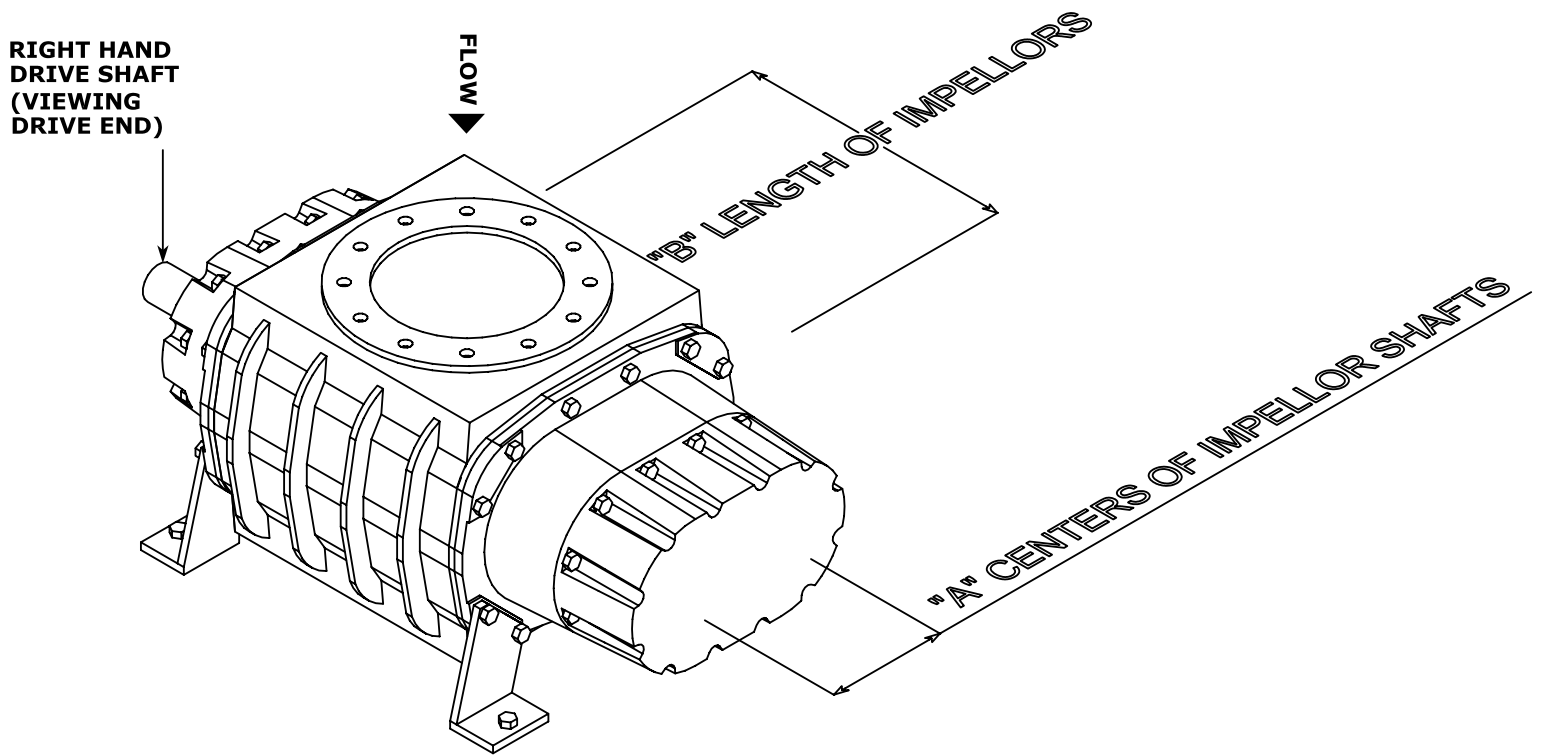


- "A" dimension = Gear Centers (or centers of shaft) in inches
- "B" Dimension = Length of Housing (between Head plates) or length of impellers

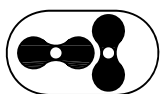
Example A x B = 8" x 32"



**R.H.B.D.**

(RIGHT HAND DRIVE, BOTTOM DISCHARGE)  
ARRANGEMENT

**BLOWER  
SIZE 8x32  
HORIZONTAL**



**Sizing A Blower**