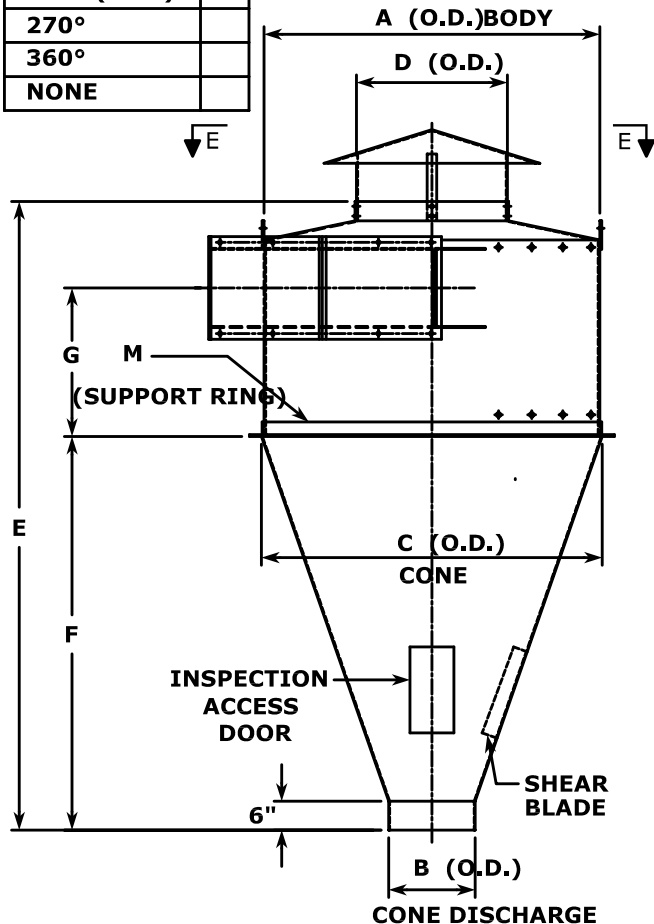


**NOTES:**

- FOR SUPPORT STRUCTURE I.D. ADD 1" TO "C"
- RIGHT HAND STANDARD, LEFT HAND AVAILABLE.
- CYCLONE INCLUDES 180° BODY LINERS AR / T1 PLATE.
- DESIGNED FOR GREEN BARK AND CHIP SYSTEMS
- FEATURES AVAILABLE AS EXTRAS :
  - FULL BODY LINER ( 360° )
  - CONE LINERS OR REPLACEABLE CONE.
  - STAINLESS STEEL CYCLONE.
  - MULTIPLE INLETS AVAILABLE.

NOTE: DIMENSIONS IN INCHES, WEIGHT IN LBS,  
VARYING SLIGHTLY WITH PRODUCTION MODELS.  
REQUEST CERTIFIED DRAWINGS OF PARTICULAR  
MODELS OR APPLICATIONS FOR EXACT DIMENSIONS.

EQUIPPED WITH LINERS MARKED	
180° (STD.)	
270°	
360°	
NONE	



A	B	C	D	E	F	G	H
28	8	29	13	61	42	7	24
42	11	43	19	78	52	11	32
56	14	57	25	102	67	16	38
70	18	71	32	121	82	21	46
84	21	85	38	142	96	25	52
98	24	99	44	165	114	30	58
112	27	113	48	188	129	34	65
126	31	128	57	208	142	37	80
140	35	142	66	230	156	41	86

A	K	M	SHELL IMPACT BODY APPROX. THICK PLATE LINER WT.(LBS)			
28	17	2 x 2 x 1/4	10 GA.	1/4	3/16	300
42	25	2 1/2 x 2 1/2 x 1/4	10 GA.	1/4	3/16	600
56	33	3 x 3 x 1/4	3/16	3/8	3/16	1200
70	41	3 x 3 x 3/8	3/16	3/8	3/16	1800
84	49	3 x 3 x 3/8	3/16	3/8	1/4	2700
98	57	3 1/2 x 3 1/2 x 3/8	3/16	1/2	1/4	3700
112	65	4 x 4 x 3/8	3/16	1/2	1/4	4500
126	74	4 x 4 x 3/8	3/16	1/2	1/4	6200
140	82	6 x 6 x 1/2	3/16	1/2	1/4	8300