

BAUM

Pneumatics Inc.

Valves

A-3750

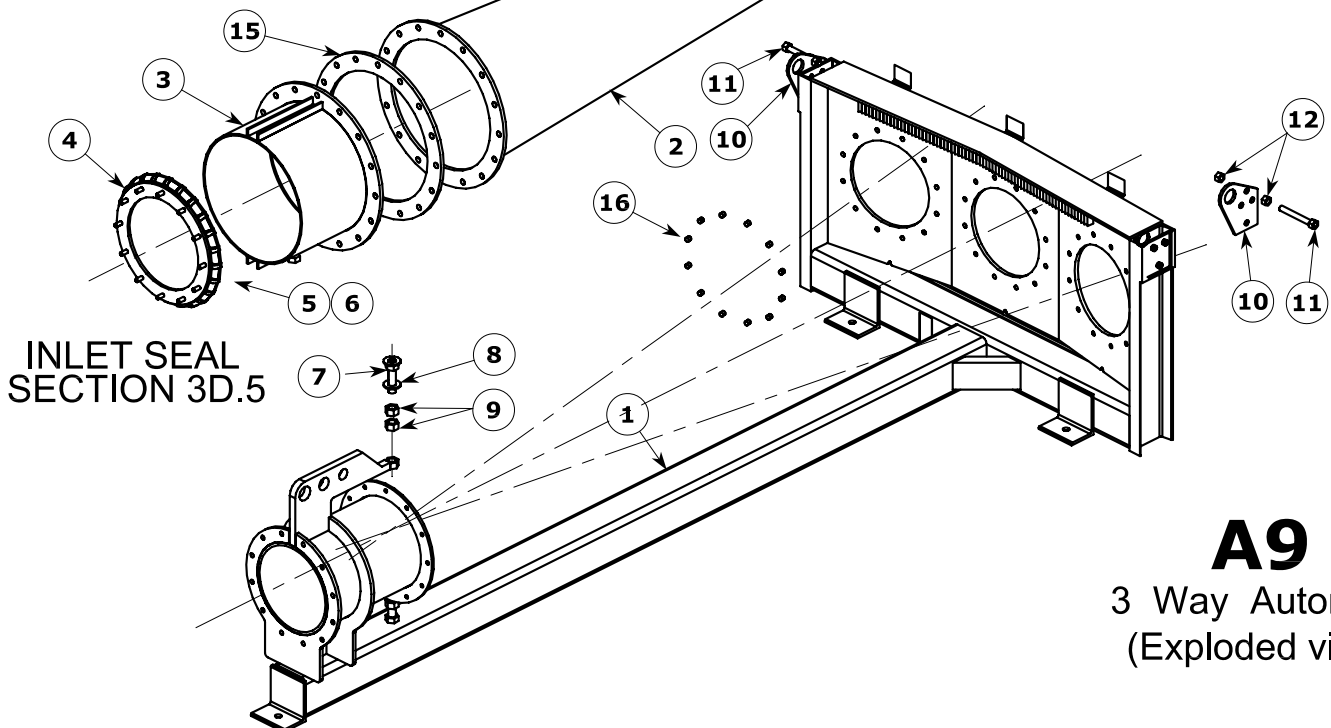
Rev. 1

Repair Parts List
Model A9 Three Way Diverter Valve

06 / 03

3D.2 Exploded View

1. FRAME WELDMENT - 3 POINT MOUNTING
2. PIVOT PIPE
3. PIVOT SEAL WELDMENT
4. INLET SEAL RING
5. SEAL PLATES
6. TLF NUTS
7. PIVOT BOLT
8. WASHER
9. SWIVEL NUTS
10. LIFTING LUGS
11. ADJUSTING SCREW 5/8"x6"
12. JAM NUTS 5/8"
13. S/ST GEAR CLAMP (2)
14. SILICONE DISCHARGE SEAL
15. GASKET A-9500
16. FHCS 1/2"x1 1/2"



DRIVE HEAD SECTION 3D.9

DISCHARGE SEAL SECTION 3D.4

INLET SEAL SECTION 3D.5

A9

3 Way Automatic
(Exploded view)

20. DRIVE HEAD
21. UHMW BEARING SLIDES
22. PINION GEAR (MODIFIED)
23. CAM (CRANK) PLATE WELDMENT
24. CAM FOLLOWER
25. HANGAR BOLT
26. 3/4" FLANGE BEARING
27. SLOTTED NUT & COTTER PIN
28. 1" FLANGE BEARING

40. DRIVE MOUNT WELDMENT
41. BRAKEMOTOR
42. GEARBOX 60:1
43. COUPLING HALF
44. COUPLING HALF
45. COUPLING ELEMENT QF-15
46. ELECTRICAL JUNCTION BOX
47. WEATHER COVER (not shown)
48. INDUCTIVE PROXIMITY SENSORS
49. OILITE BUSHING FLANGED