

BAUM

PNEUMATICS INC.

Repair Parts List

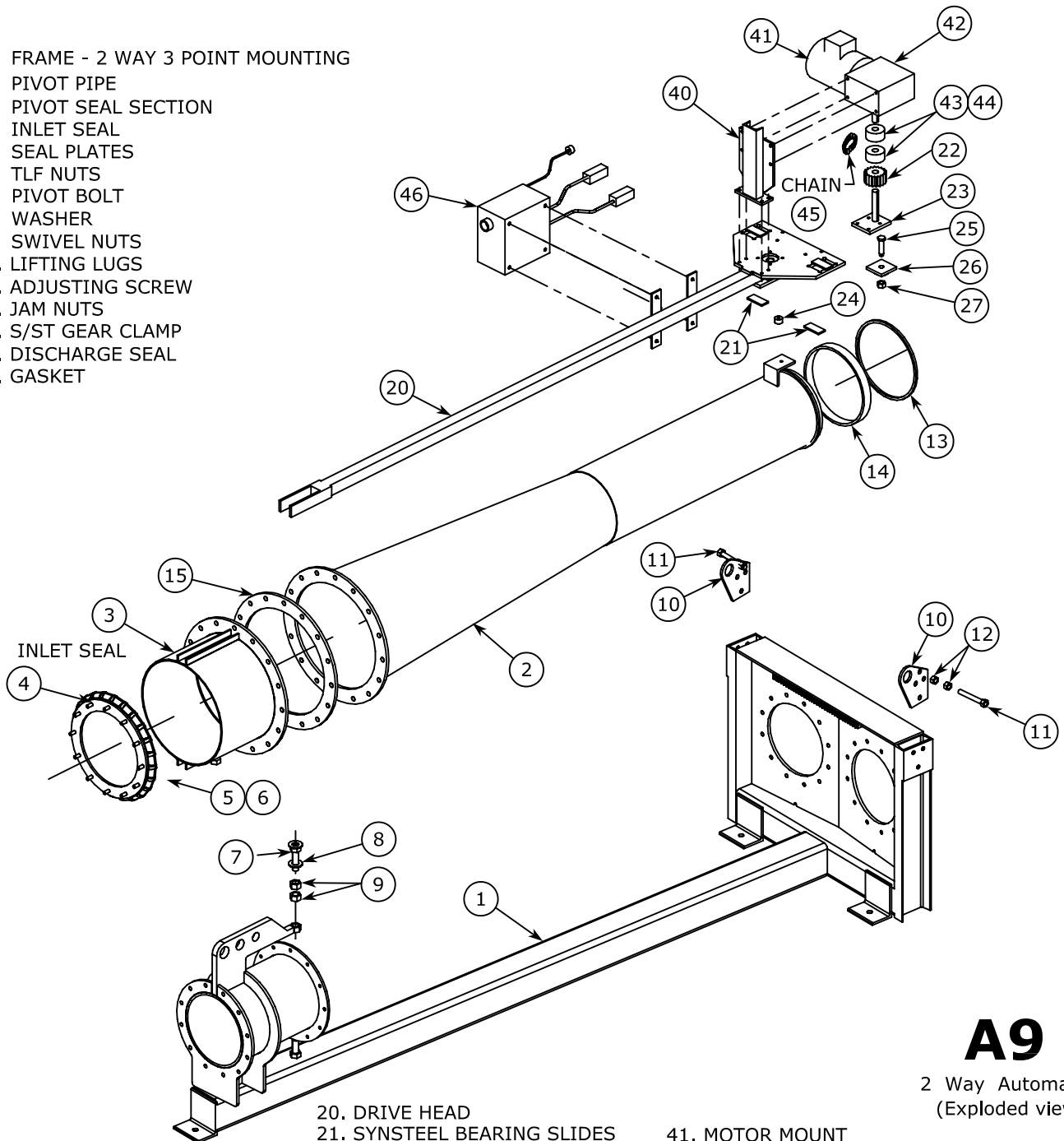
Model A9 Two Way Diverter Valve
(EXPLODED VIEW)

A-3700

Rev. 0

06 / 03

1. FRAME - 2 WAY 3 POINT MOUNTING
2. PIVOT PIPE
3. PIVOT SEAL SECTION
4. INLET SEAL
5. SEAL PLATES
6. TLF NUTS
7. PIVOT BOLT
8. WASHER
9. SWIVEL NUTS
10. LIFTING LUGS
11. ADJUSTING SCREW
12. JAM NUTS
13. S/ST GEAR CLAMP
14. DISCHARGE SEAL
15. GASKET



20. DRIVE HEAD
21. SYNSTEEL BEARING SLIDES
22. PINION GEAR
23. CAM PLATE
24. CAM FOLLOWER
25. HANGAR BOLT
26. 3/4" FLANGE BEARING
27. SLOTTED NUT

41. MOTOR MOUNT
42. GEARBOX
43. COUPLING HALF
44. COUPLING HALF
45. COUPLING CHAIN
46. ELECTRICAL JUNCTION BOX

A9

2 Way Automatic
(Exploded view)