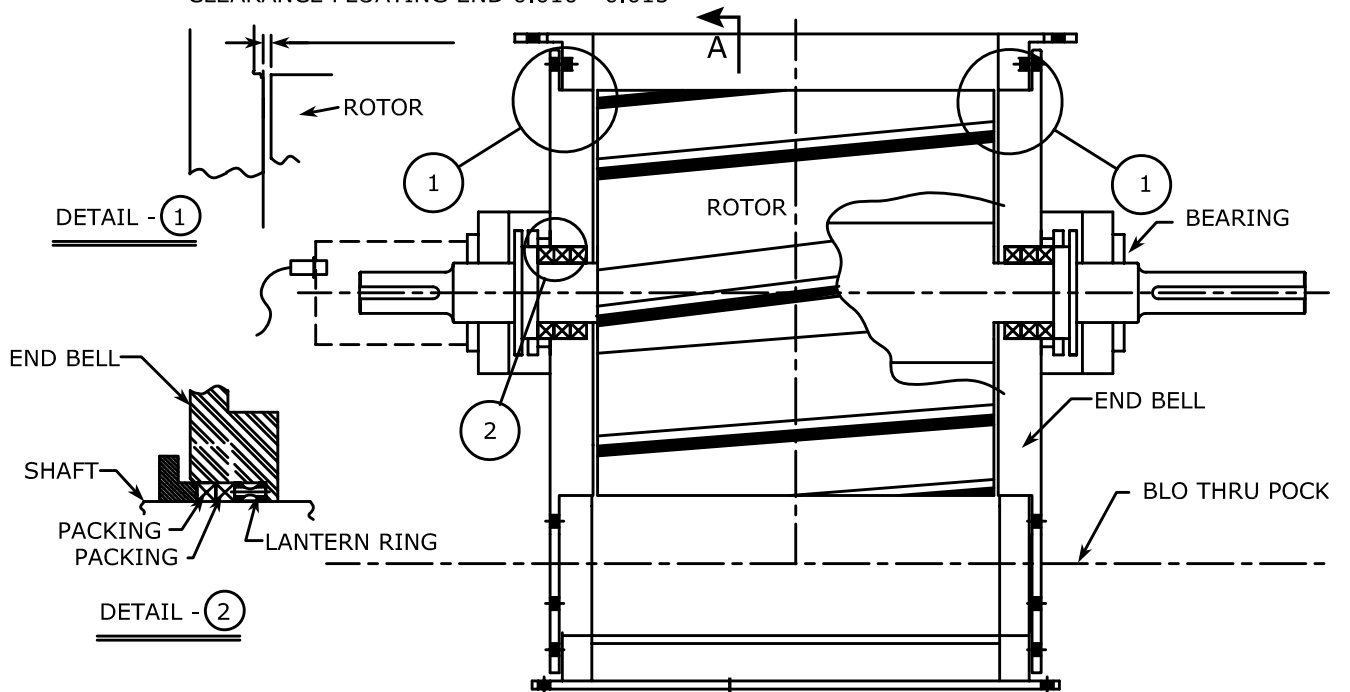
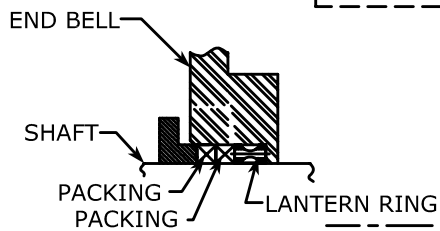


Size 24 x 20 x 10

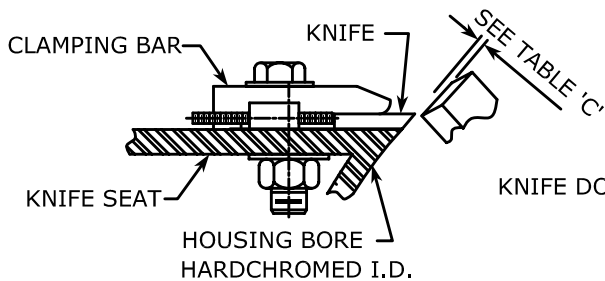
ENDBELL TO ROTOR VANES
CLEARANCE FIXED END 0,005 - 0,010
(MUST NOT DRAG)
CLEARANCE FLOATING END 0,010 - 0,015



DETAIL - 1



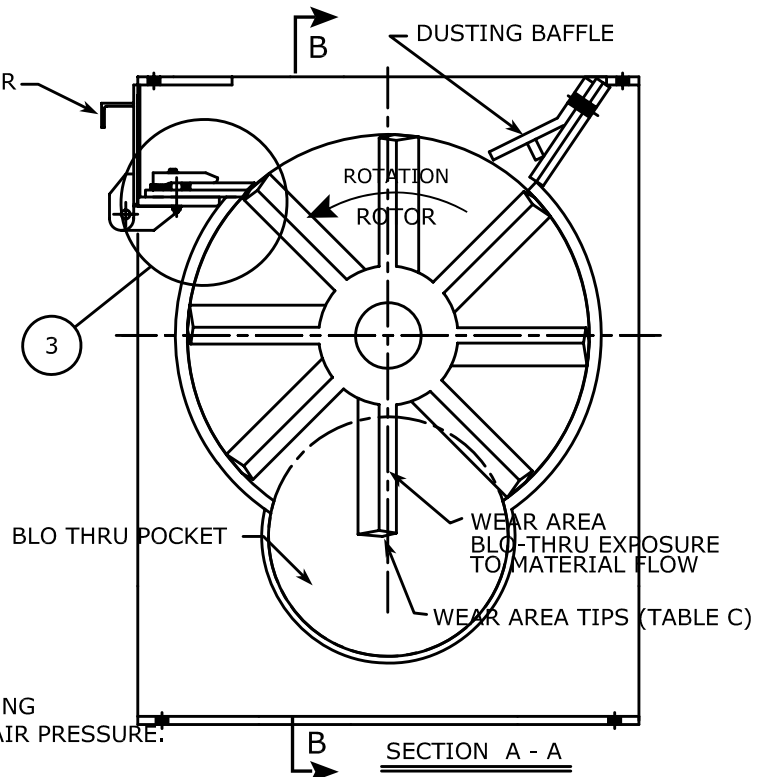
DETAIL - 2



TOP KNIFE ADJUSTABLE DETAIL - 3

| CLEARANCES | | |
|------------|---------------|-------------|
| ROTOR DIA. | HOUSING/ROTOR | KNIFE - 'C' |
| 24" | .008"/.018" | .008" |

ROTOR TO END BELLS AND ROTOR TO HOUSING BORE CLEARANCES HOLDS AIR PRESSURE
TOP KNIFE IS ONLY TO PROTECT THE BORE, BY SHEARING EXCESS MATERIAL, TOP KNIFE DOES NOT HELP HOLD AIR PRESSURE.



SECTION A - A