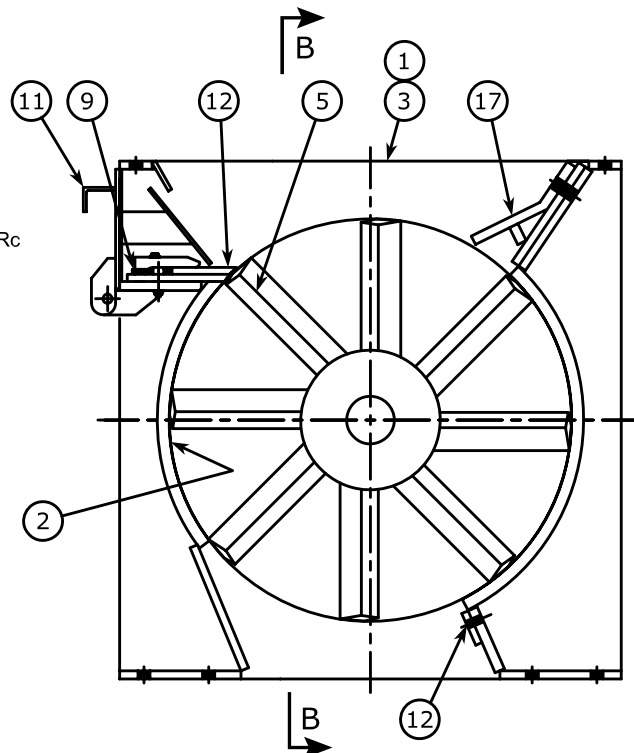


SECTION B - B

FEATURES:

1. RIBBED HOUSING OF REINFORCED BOX CONSTRUCTION.
2. HARDCHROME PLATED HOUSING.
3. FABRICATED HOUSING, ROTOR AND END COVERS.
4. SPHERICAL ROLLER BEARINGS WITH ADAPTER SLEEVES AT BOTH ENDS.
5. EXTRA THICK ROTOR VANES, HARDFACED TO 55Rc INCLUDING A 6° HELIX ANGLE.
6. VERSATILE TRIPLE USE SHAFT, CHAIN DRIVE BOTH ENDS OR SHAFT MOUNT RIGHT HAND END
7. ROTOR SECURED TO SHAFT WITH TAPER-LOCK BUSHINGS.
8. ADJUSTABLE BRASS SEAL RINGS.
9. SET SCREW ADJUSTMENT OF TOP KNIFE.
10. PACKING GLAND WITH DOUBLE SETS OF P.T.F.E. PACKING.
11. HINGED KNIFE ACCESS DOOR.
- *12. SPECIAL ALLOY TOP (& BOTTOM KNIVES)
- *13. SHAFT COVER.
- *14. MOTION SWITCH.
- *15. UPPER ACCESS HAND HOLES.
- *16. DUSTING BAFFLE.

* OPTIONAL EQUIPMENT



SECTION A - A