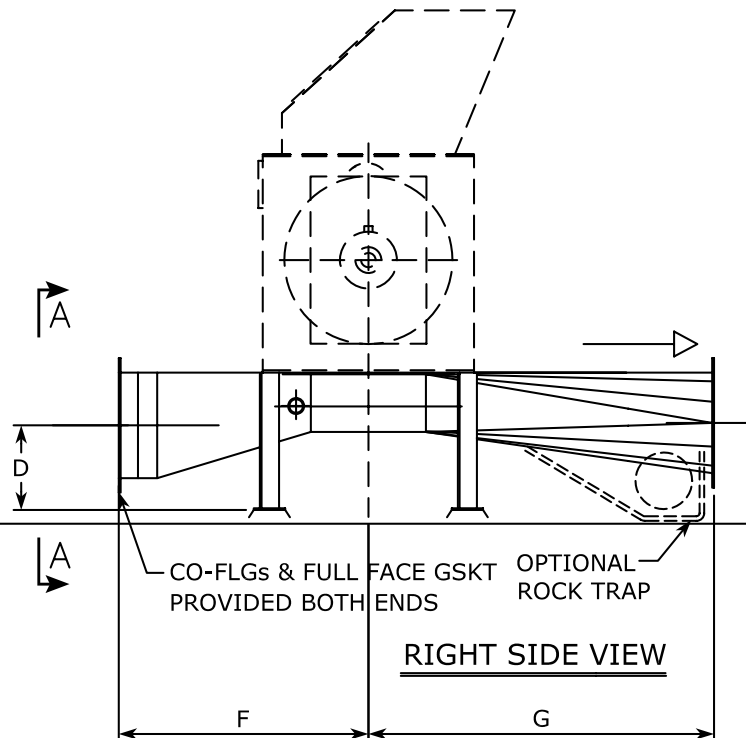
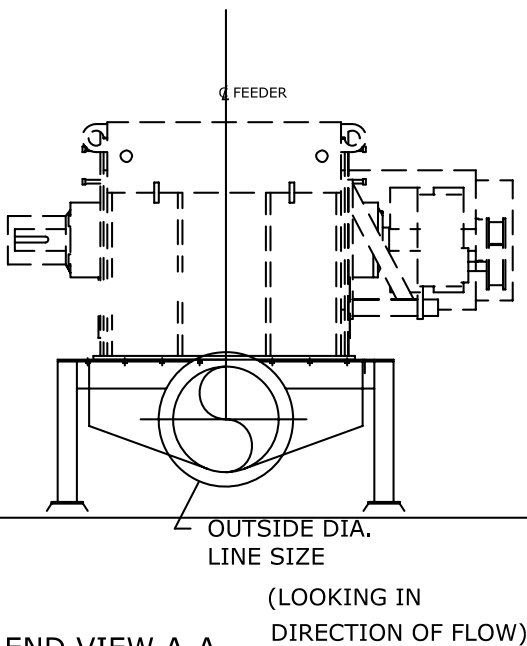
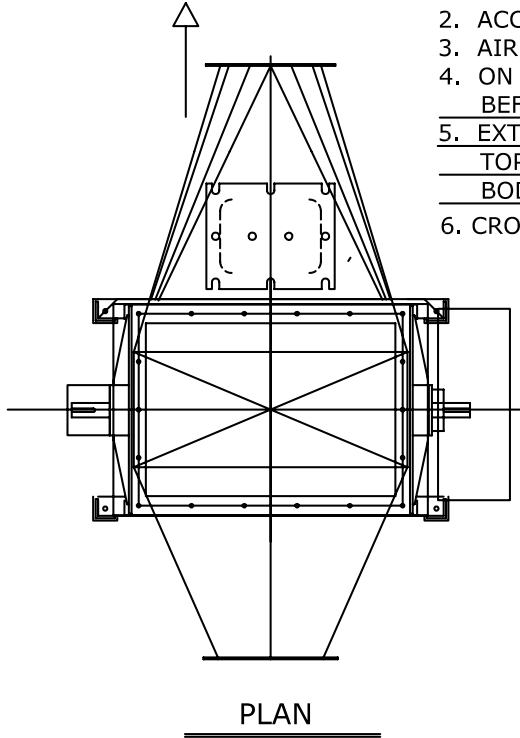


1. CROSS TEE INJECTOR AIR FLOW IS 90 DEGREES TO FEEDER SHAFT
2. ACCESS DOORS ON TOP OF TRANSITIONS.
3. AIR ELBOW NEAR CHECK VALVE IS NOT RECOMMENDED.
4. ON CHIPS AND WET SAWDUST SYSTEMS, ALLOW 15 - 20 FEET AFTER TEE, BEFORE TURNING WITH AN ELBOW.
5. EXTRA HEAVY CONSTRUCTION
TOP FLANGE OF TEE IS 3/8" PL. ON 6-5/8, 1/2" PLATE ON 8-5/8 AND UP.
BODY IS 1/4" FOR 6-5/8 & 8-5/8, 5/16" FOR 10-3/4 AND UP
6. CROSS TEE DESIGN REDUCES WEAR ON PRODUCT CONVEYED



OPTIONAL
WATER INJECTION
CONNECTION

CHECK VALVE IS INDEPENDENT OF TEE