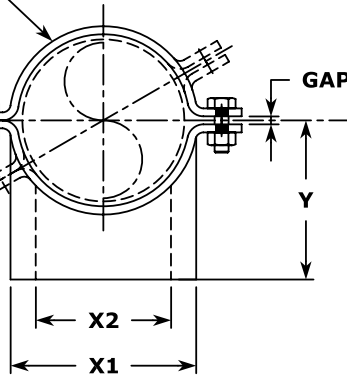


PIPE CLAMP FIG. 212
OR AS SPECIFIED

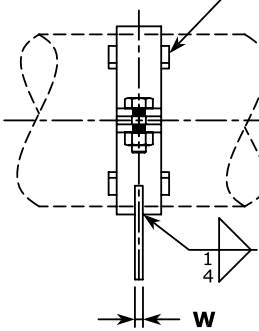
ROTATE 30°
FOR PIPE RACK
SPACING



8 - STOPS

1" x 1/2" SQ. BAR x 1/2" LONG
FIELD LOCATE AND WELD
AT 45° TO FIX A SUPPORT

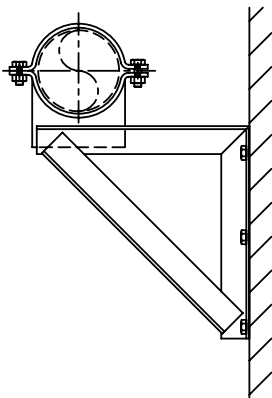
NOTE:
FOR SLOPED LINES
USE (4) STOPS ON
UPPER SIDE OF
SADDLE



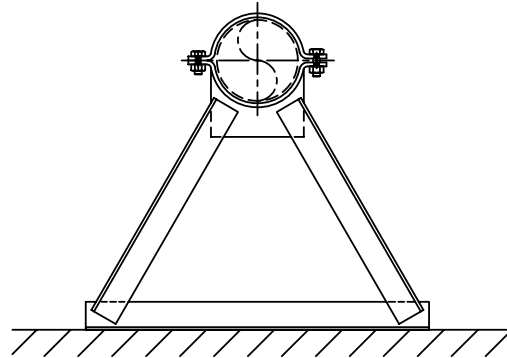
PIPE SIZE	W	X1	X2	Y
4	1/2 PL	7 3/8	5	5
6 5/8	1/2 PL	8 11/16	5	6
8 5/8	1/2 PL	10 15/16	7	8
10 3/4	1/2 PL	13 1/2	7	9 1/4

PIPE SIZE	W	X1	X2	Y
12 3/4	1/2 PL	15 1/2	7	9 1/4
14	1/2 PL	17 1/8	12	11 1/2
16	1/2 PL	19 1/8	12	12 1/2
18	1/2 PL	21 11/16	12	13 1/2
20	1/2 PL	23 3/4	12	13 1/2

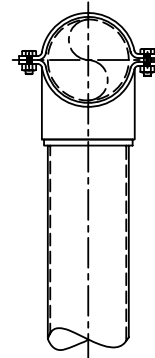
NOTE: REINFORCE SUPPORT SADDLE SUPPORTS
THAT ARE FIXED FROM MOVEMENT,
OR ARE CARRYING LONG SPANS,
OR AT BENDS IN CONVEYING SYSTEMS



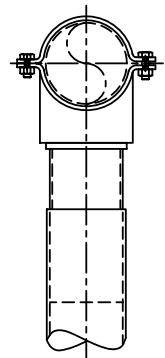
WALL MOUNT BRACKET
FIG. 1



ROOF MOUNT BRACKET
FIG. 2



PIPE SUPPORT
COLUMN
FIG. 3



PIPE SUPPORT
ADJUSTABLE COLUMN
FIG. 4

NOTE: Dimensions in inches, weight in lbs, varying slightly with production models.
Request certified drawings of particular models or applications for exact dimensions.