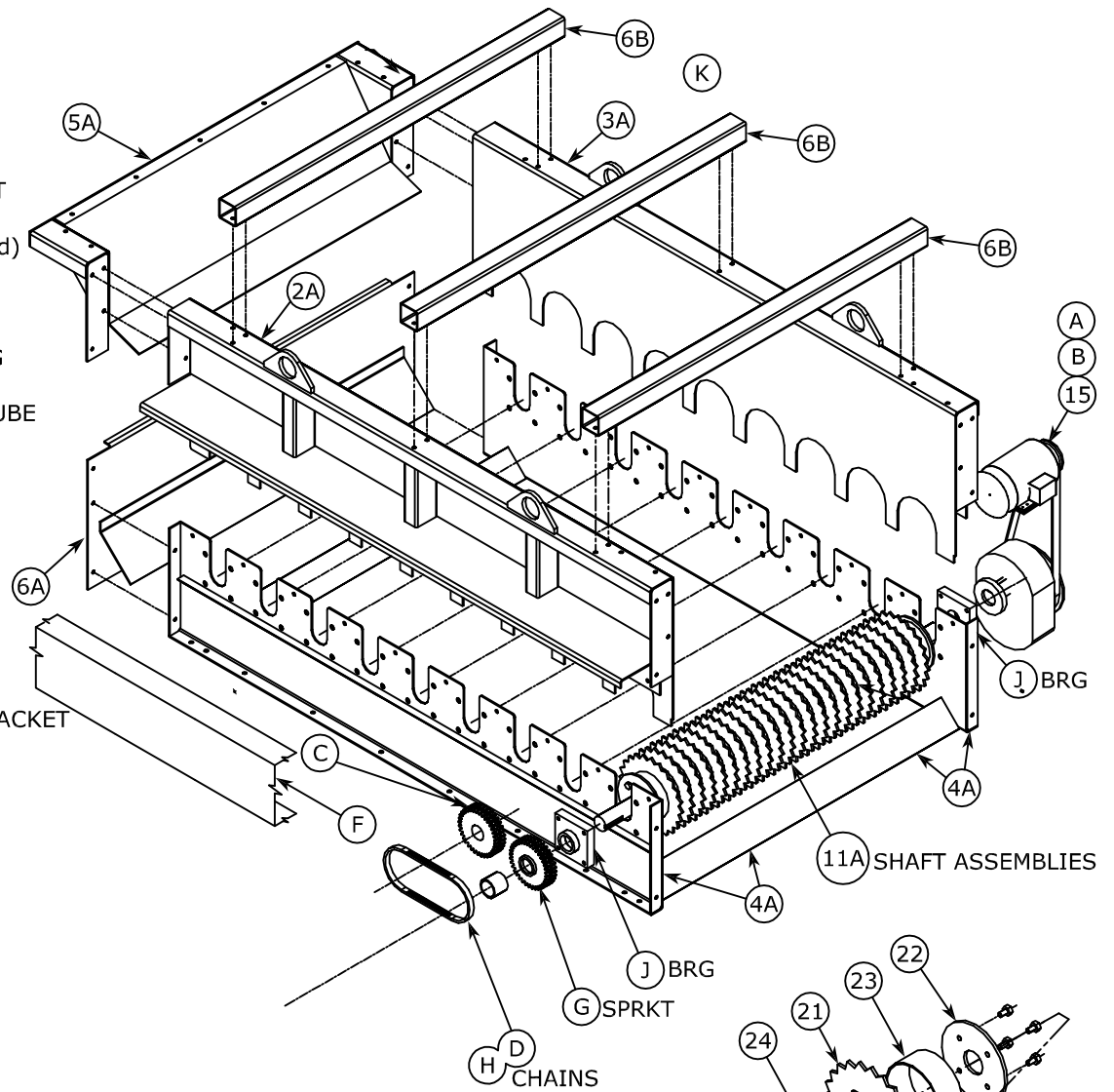
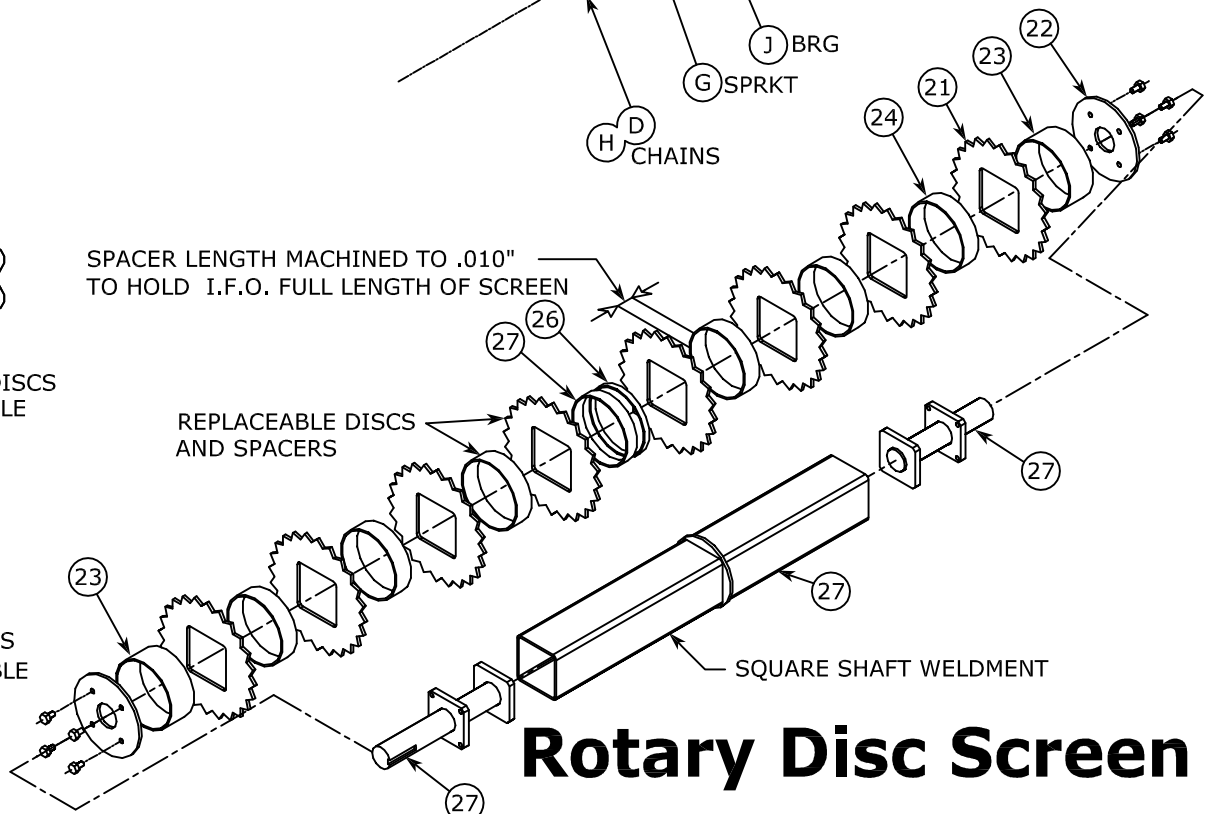


- A - MOTOR Standard
- B - SHAFTMOUNT GEAR REDUCER
- C - DBL SINGLE SPROCKET
- D - ROLLER CHAIN
- E - SINGLE SPROCKET (end)
- F - CHAIN GUARD
- G - SINGLE SPROCKET
- H - ROLLER CHAIN
- J - BEARINGS 4-BOLT FLG
- K - ZERO SPEED SENSOR
- L - BEARINGS + CHAIN LUBE SYSTEM (NOT SHOWN)
- 11A - SHAFT ASSY
- 2A - UPPER SIDE PANEL
- 3A - UPPER SIDE PANEL
- 4A - LOWER SIDE PANEL
- 6A - REAR PANEL
- 5A - INFEED CHUTE
- 6B - HSS BRACE
- 10 - NAME PLATES & SAFETY DECALS
- 15 - DRIVE MOUNTING BRACKET



SPACER LENGTH MACHINED TO .010"  
TO HOLD I.F.O. FULL LENGTH OF SCREEN

REPLACEABLE DISCS  
AND SPACERS



**Rotary Disc Screen**