

PD BLOWERS

Sutorbilt

8000 Series

IAC

INDUSTRIAL ACCESSORIES COMPANY

Fast Delivery. Competitive Prices. Pneumatic System Troubleshooting.

Features

- Computer Designed and Precision Machined Rotors
- 8000Q Series Reduces Noise 5 dBA
- Manufactured to ISO 9001 Quality Standards
- Larger Shaft Diameters Eliminate Deflection
- Proven Performance and Reliability



8000 Series



8000 Series

Performance

- Airflow Range: 950 - 18,000 cfm (1,600 - 30,500 m³/h)
- Pressure to 20 psig (1.4 bar)
- Vacuum to 16 "Hg (470 mbar)
- Available in 10" - 16" Gear Diameters
- Over 100 Models Available

Advantages

- Energy-saving ports with larger inlet and discharge ports allow for greater airflow and optimum air velocity
- Reinforced case design provides greater strength under pressure or vacuum
- Generous seal vent areas assure better sealing and longer life
- Rotor shaft diameter and bearing sizes have been increased to allow blower operation at higher pressure without sacrificing bearing life
- Large machined footpads offer excellent, permanent mounting surfaces
- High-tensile, cast-iron headplates keep all internal components perfectly aligned

FOR MORE INFORMATION OR TO PLACE AN ORDER CONTACT IAC TODAY

Industrial Accessories Company Information is subject to change without notice

PB109013

4800 Lamar Avenue / Mission, KS 66202 / USA
913.384.5511 / toll free 800.334.7431 / fax 913.384.6577

www.iac-intl.com

PD BLOWERS

Sutorbilt

8000 Series



Horizontal Dimensional Data Configurations

SIZE	WT.	A	B	C	D	E	G	H	J In	J Out	K In	K Out	L	M	N	O	R	S	T	U	V	X
1008	1750	16.75	7.00	7.50	20	14.00	5	31.38	17.38	17.38	8	8	19.38	36.38	8.00	7.88	0.63	2.50	1.13	0.88	7.00	30.75
1011	1875	19.75	8.50	7.50	20	14.00	5	31.38	17.38	17.38	8	8	20.88	39.38	11.00	7.88	0.63	2.50	1.13	0.88	7.00	30.75
1013	2000	22.00	9.63	7.50	20	14.00	5	31.38	17.38	17.38	10	10	22.00	41.63	13.25	7.88	0.63	2.50	1.13	0.88	7.00	33.00
1016	2050	24.75	11.00	7.50	20	14.00	5	26.00	12.00	12.00	10	10	23.38	44.38	16.00	7.88	0.63	2.50	1.13	0.88	7.00	33.00
1016-Q	2164	24.75	11.00	7.50	20	14.00	5	28.25	14.25	14.25	12	10	23.38	44.38	16.00	7.88	0.63	2.50	1.13	0.88	7.00	33.00
1018	2100	26.75	12.00	7.50	20	14.00	5	26.00	12.00	12.00	10	10	24.38	46.38	18.00	7.88	0.63	2.50	1.13	0.88	7.00	33.00
1021	2165	29.75	13.50	7.50	20	14.00	5	26.00	12.00	12.00	12	12	25.88	49.38	21.00	7.88	0.63	2.50	1.13	0.88	7.00	33.00
1021-Q	2286	29.75	13.50	7.50	20	14.00	5	28.25	14.25	14.25	14	12	25.88	49.38	21.00	7.88	0.63	2.50	1.13	0.88	7.00	33.00
1024	2530	32.75	15.00	7.50	20	14.00	5	28.00	14.00	14.00	14	14	27.38	52.38	24.00	7.88	0.63	2.50	1.13	0.88	7.00	33.00
1024-Q	2697	32.75	15.00	7.50	20	14.00	5	28.25	14.25	14.25	14	12	27.38	52.38	24.00	7.88	0.63	2.50	1.13	0.88	7.00	33.00
1030	2770	38.75	18.00	7.50	20	14.00	5	28.00	14.00	14.00	14	14	30.38	58.38	30.00	7.88	0.63	2.50	1.13	0.88	7.00	33.00
1030-Q	3032	38.75	18.00	7.50	20	14.00	5	28.25	14.25	14.25	16	14	30.38	58.38	30.00	7.88	0.63	2.50	1.13	0.88	7.00	33.00
1213	2850	22.50	9.50	9.00	24	16.50	6	35.75	19.25	19.25	10	10	24.00	45.12	13.00	8.88	0.75	2.88	1.33	0.88	7.00	36.50
1216	2975	25.50	11.00	9.00	24	16.50	6	35.75	19.25	19.25	10	10	25.50	48.12	16.00	8.88	0.75	2.88	1.33	0.88	7.00	36.50
1218	3065	28.00	12.25	9.00	24	16.50	6	32.50	16.00	16.00	12	12	26.75	50.62	18.50	8.88	0.75	2.88	1.33	0.88	7.00	39.00
1220	3340	29.50	13.00	9.00	24	16.50	6	32.50	16.00	16.00	12	12	27.50	52.12	20.00	8.88	0.75	2.88	1.33	0.88	7.00	39.00
1223	3410	32.50	14.50	9.00	24	16.50	6	32.50	16.00	16.00	14	14	29.00	55.12	23.00	8.88	0.75	2.88	1.33	0.88	7.00	39.00
1226	3625	35.50	16.00	9.00	24	16.50	6	32.50	16.00	16.00	14	14	30.50	58.12	26.00	8.88	0.75	2.88	1.33	0.88	7.00	39.00
1226-Q	3893	35.50	16.00	9.00	24	16.50	6	33.00	16.50	16.50	18	16	30.50	58.12	26.00	8.88	0.75	2.88	1.33	0.88	7.00	39.00
1230	3975	39.50	18.00	9.00	24	16.50	6	32.50	16.00	16.00	16	16	32.50	62.12	30.00	8.88	0.75	2.88	1.33	0.88	7.00	39.00
1230-Q	4346	39.50	18.00	9.00	24	16.50	6	33.00	16.50	16.50	18	16	32.50	62.12	30.00	8.88	0.75	2.88	1.33	0.88	7.00	39.00
1236	4170	45.50	21.00	9.00	24	16.50	6	32.50	16.00	16.00	16	16	35.50	68.12	36.00	8.88	0.75	2.88	1.33	0.88	7.00	39.00
1236-Q	4693	45.50	21.00	9.00	24	16.50	6	33.00	16.50	16.50	20	18	35.50	68.12	36.00	8.88	0.75	2.88	1.33	0.88	7.00	39.00
1415	3830	25.50	11.50	11.00	28	19.00	7	40.75	21.75	21.75	12	12	26.25	49.88	15.00	9.88	0.75	3.25	1.25	0.88	8.62	42.50
1419	3920	29.50	13.50	11.00	28	19.00	7	40.75	21.75	21.75	12	12	28.25	53.88	19.00	9.88	0.75	3.25	1.25	0.88	8.62	42.50

Dimensions are in inches. Weights are in pounds and approximate.

FOR MORE INFORMATION OR TO PLACE AN ORDER CONTACT IAC TODAY

Industrial Accessories Company

Information is subject to change without notice

PB109013

4800 Lamar Avenue / Mission, KS 66202 / USA

913.384.5511 / toll free 800.334.7431 / fax 913.384.6577

www.iac-intl.com

PD BLOWERS

Sutorbilt

8000 Series



Vertical Dimensional Data Configuration

SIZE	WT.	A	B	C	D	E	F	G	H	J In	J Out	K In	K Out	L	M	N	O	R	S	T	U	V
1008	1750	16.75	7.00	7.50	18	14.00	19.00	5	34.38	17.38	17.38	8	8	19.38	35.63	8.00	7.88	0.63	2.50	1.19	0.88	4.25
1011	1875	19.75	8.50	7.50	18	14.00	19.00	5	34.38	17.38	17.38	8	8	20.88	38.63	11.00	7.88	0.63	2.50	1.19	0.88	4.25
1013	2000	22.00	9.63	7.50	18	14.00	19.00	5	34.38	17.38	17.38	10	10	22.00	40.88	13.25	7.88	0.63	2.50	1.19	0.88	4.25
1013-Q	2092	22.00	9.63	7.50	18	14.00	19.00	5	34.38	14.25	14.25	12	10	22.00	40.88	13.25	7.88	0.63	2.50	1.19	0.88	4.25
1016	2050	24.75	11.00	7.50	18	14.00	19.00	5	34.38	12.00	12.00	10	10	23.38	43.63	16.00	7.88	0.63	2.50	1.19	0.88	4.25
1016-Q	2164	24.75	11.00	7.50	18	14.00	19.00	5	34.38	14.25	14.25	12	10	23.38	43.63	16.00	7.88	0.63	2.50	1.19	0.88	4.25
1018	2100	26.75	12.00	7.50	18	14.00	19.00	5	34.38	12.00	12.00	10	10	24.38	45.63	18.00	7.88	0.63	2.50	1.19	0.88	4.25
1018-Q	2217	26.75	12.00	7.50	18	14.00	19.00	5	34.38	14.25	14.25	12	10	24.38	45.63	18.00	7.88	0.63	2.50	1.19	0.88	4.25
1021	2165	29.75	13.50	7.50	18	14.00	19.00	5	34.38	12.00	12.00	12	12	25.88	48.63	21.00	7.88	0.63	2.50	1.19	0.88	4.25
1021-Q	2286	29.75	13.50	7.50	18	14.00	19.00	5	34.38	14.25	14.25	14	12	25.88	48.63	21.00	7.88	0.63	2.50	1.19	0.88	4.25
1024	2530	32.75	15.00	7.50	18	14.00	19.00	5	35.25	14.00	14.00	14	14	27.38	51.63	24.00	7.88	0.63	2.50	1.19	0.88	4.25
1024-Q	2697	32.75	15.00	7.50	18	14.00	19.00	5	35.25	14.25	14.25	14	12	27.38	51.63	24.00	7.88	0.63	2.50	1.19	0.88	4.25
1030	2770	38.75	18.00	7.50	18	14.00	19.00	5	35.25	14.00	14.00	14	14	30.38	57.63	30.00	7.88	0.63	2.50	1.19	0.88	4.25
1030-Q	3032	38.75	18.00	7.50	18	14.00	19.00	5	35.25	14.25	14.25	16	14	30.38	57.63	30.00	7.88	0.63	2.50	1.19	0.88	4.25
1213	2850	22.50	9.50	9.00	22	16.50	22.50	6	40.75	19.25	19.25	10	10	24.00	45.00	13.00	8.88	0.75	2.88	1.33	0.88	6.50
1216	2975	25.50	11.00	9.00	22	16.50	22.50	6	40.75	19.25	19.25	10	10	25.50	48.00	16.00	8.88	0.75	2.88	1.33	0.88	6.50
1218	3065	28.00	12.25	9.00	22	16.50	22.50	6	41.75	16.00	16.00	12	12	26.75	50.50	18.50	8.88	0.75	2.88	1.33	0.88	6.50
1218-Q	3211	28.00	12.25	9.00	22	16.50	22.50	6	41.75	16.50	16.50	16	14	26.75	50.50	18.50	8.88	0.75	2.88	1.33	0.88	6.50
1220	3340	29.50	13.00	9.00	22	16.50	22.50	6	41.75	16.00	16.00	12	12	27.50	52.00	20.00	8.88	0.75	2.88	1.33	0.88	6.50
1220-Q	3531	29.50	13.00	9.00	22	16.50	22.50	6	41.75	16.50	16.50	16	14	27.50	52.00	20.00	8.88	0.75	2.88	1.33	0.88	6.50
1223	3410	32.50	14.50	9.00	22	16.50	22.50	6	41.75	16.00	16.00	14	14	29.00	55.00	23.00	8.88	0.75	2.88	1.33	0.88	6.50
1223-Q	3606	32.50	14.50	9.00	22	16.50	22.50	6	41.75	16.50	16.50	16	14	29.00	55.00	23.00	8.88	0.75	2.88	1.33	0.88	6.50
1226	3625	35.50	16.00	9.00	22	16.50	22.50	6	41.75	16.00	16.00	14	14	30.50	58.00	26.00	8.88	0.75	2.88	1.33	0.88	6.50
1226-Q	3893	35.50	16.00	9.00	22	16.50	22.50	6	41.75	16.50	16.50	18	16	30.50	58.00	26.00	8.88	0.75	2.88	1.33	0.88	6.50
1230	3975	39.50	18.00	9.00	22	16.50	22.50	6	41.75	16.00	16.00	16	16	32.50	62.00	30.00	8.88	0.75	2.88	1.33	0.88	6.50
1230-Q	4346	39.50	18.00	9.00	22	16.50	22.50	6	41.75	16.50	16.50	18	16	32.50	62.00	30.00	8.88	0.75	2.88	1.33	0.88	6.50
1236	4170	45.50	21.00	9.00	22	16.50	22.50	6	41.75	16.00	16.00	16	16	35.50	68.00	36.00	8.88	0.75	2.88	1.33	0.88	6.50
1236-Q	4693	45.50	21.00	9.00	22	16.50	22.50	6	41.75	16.50	16.50	20	18	35.50	68.00	36.00	8.88	0.75	2.88	1.33	0.88	6.50
1415	3830	25.50	11.50	11.00	26	19.00	26.00	7	47.25	21.75	21.75	12	12	26.25	48.13	15.00	9.88	0.75	3.25	1.25	0.88	4.38

Dimensions are in inches. Weights are in pounds and approximate.

FOR MORE INFORMATION OR TO PLACE AN ORDER CONTACT IAC TODAY

Industrial Accessories Company

Information is subject to change without notice

PB109013

4800 Lamar Avenue / Mission, KS 66202 / USA

913.384.5511 / toll free 800.334.7431 / fax 913.384.6577

www.iac-intl.com

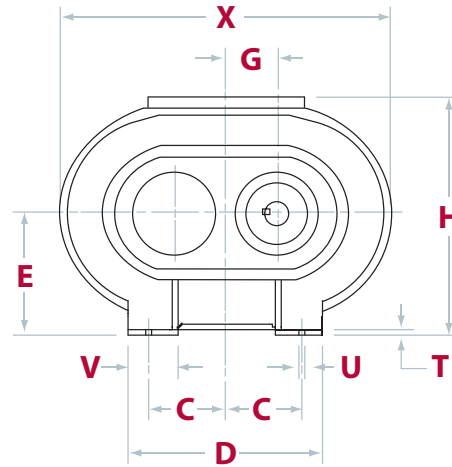
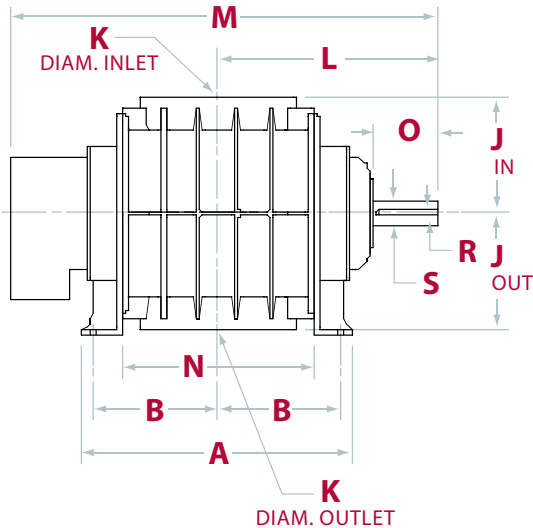
PD BLOWERS

Sutorbilt

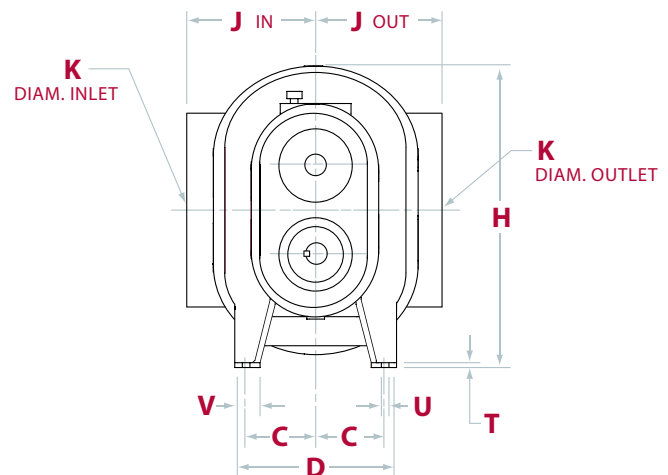
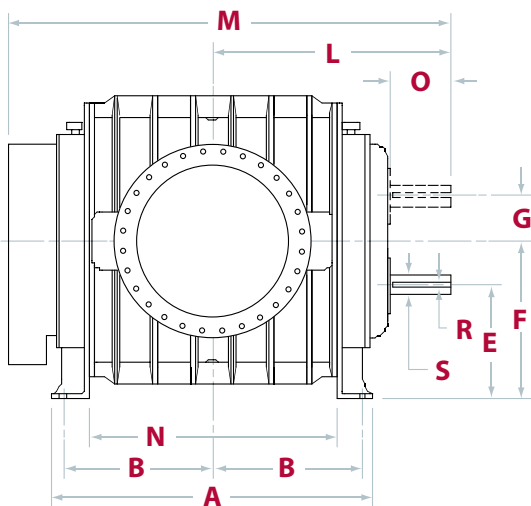
8000 Series



Horizontal Dimensional Data Configurations



Vertical Dimensional Data Configurations



FOR MORE INFORMATION OR TO PLACE AN ORDER CONTACT IAC TODAY

Industrial Accessories Company

Information is subject to change without notice

PB109013

4800 Lamar Avenue / Mission, KS 66202 / USA
913.384.5511 / toll free 800.334.7431 / fax 913.384.6577

www.iac-intl.com

CAPABILITIES

Equipment, Parts & Service

One-Stop Source



Capital Equipment

- Dust Collectors/Baghouses
- Dust Collection Systems
- M-Pulse Baghouse
- Blower Packages
- Pneumatic Conveying Systems
- Silos & Tanks
- Bulk Storage Systems
- Pneumatic Filter Receivers
- Railcar Unload Systems
- Mercury Control
- Air Pollution Control

Industries Served

- Wood Products
- Grain Agriculture
- Food
- Cement
- Ethanol
- Steel
- Foundry
- Mining
- Bio Fuels
- Petro Chemical
- Plastics
- Coal
- Power Generation
- Pulp & Paper

Capabilities

- Design Layout - Auto Cad 2007, 3-D Solid Works & Inventor
- Structural Steel Fabrication
- Design Build Projects
- Mechanical Contracting
- Mercury Control Testing
- Equipped Service Trucks



Services, Construction & Maintenance

- Contract Fabrication
- Consulting Services
- Equipment
 - Installation
 - Relocation
 - Repair
- Baghouse Rebagging
- Baghouse Conversions
- Turn-Key Installation
- System Inspections

After Market Parts & Equipment

- Blowers
- Airlocks
- Diverter Valves
- Hose
- Bags
- Cages
- Tubing
- Couplings
- Elbows
- Sonic Horns
- Knife Gates
- Butterfly Valves
- Baghouse Accessories
- Level Indicators
- Bin Activators
- Convey Line Accessories
- Intake Filters
- Fans
- Abrasion Resistant Products



COMPETITIVE PRICING
RUSH DELIVERY:
BLOWER PACKAGES &
BIN VENTS

MANY ITEMS IN STOCK
RUSH SHIPPING

**VISIT US ON THE WEB FOR
COMPLETE DETAILS!**

INNOVATION. SERVICE. PRODUCT EXCELLENCE.

Industrial Accessories Company

PBMRKT

4800 Lamar Avenue / Mission, KS 66202 / USA
913.384.5511 / toll free 800.334.7431 / fax 913.384.6577

www.iac-intl.com